

# 2014-present *Mazda6* Bodyshop Manual

## FOREWORD

This bodyshop manual is intended for use by technicians of Authorized Mazda Dealers to help them service and repair Mazda vehicles. It can also be useful to owners and operators of Mazda vehicles in performing limited repair and maintenance on Mazda vehicles.

For proper repair and maintenance, a thorough familiarization with this manual is important, and it should always be kept in a handy place for quick and easy reference.

All the contents of this manual, including drawings and specifications, are the latest available at the time of printing. As modifications affecting repair or maintenance occur, relevant information supplementary to this volume will be made available at Mazda dealers. This manual should be kept up-to-date.

Mazda Motor Corporation reserves the right to alter the specifications and contents of this manual without obligation or advance notice.

All rights reserved. No part of this book may be reproduced or used in any form or by any means, electronic or mechanical including photocopying and recording and the use of any kind of information storage and retrieval system-without permission in writing.

**Mazda Motor Corporation  
HIROSHIMA, JAPAN**

## CONTENTS

Title		Section
<b>GENERAL INFORMATION</b>		<b>00</b>
<b>BODY STRUCTURE</b>	<b>CONSTRUCTION</b>	<b>80A</b>
	<b>PANEL REPLACEMENT</b>	<b>80B</b>
	<b>WATER-PROOF AND RUST PREVENTIVE</b>	<b>80C</b>
	<b>DIMENSIONS</b>	<b>80D</b>
	<b>PLASTIC BODY PARTS</b>	<b>80E</b>
	<b>CONSTRUCTION STANDARD VALVES</b>	<b>80F</b>

### APPLICATION:

This manual is applicable to vehicles beginning with the Vehicle Identification Numbers (VIN), shown on the following page.

© 2012 Mazda Motor Corporation  
PRINTED IN U.S.A., DECEMBER 2012  
Form No. 3525-1U-12L  
Part No. 9999-95-099F-14

## VEHICLE IDENTIFICATION NUMBERS (VIN)

JM1	GJ1S3*E#	100001—
JM1	GJ1S5*E#	100001—
JM1	GJ1T3*E#	100001—
JM1	GJ1T5*E#	100001—
JM1	GJ1U3*E#	100001—
JM1	GJ1U5*E#	100001—
JM1	GJ1V3*E#	100001—
JM1	GJ1V5*E#	100001—
JM1	GJ1W3*E#	100001—
JM1	GJ1W5*E#	100001—
JM1	GJ1X3*E#	100001—
JM1	GJ1X5*E#	100001—

# GENERAL INFORMATION

**00**  
SECTION

00-00

## GENERAL INFORMATION . . . 00-00

### 00-00 GENERAL INFORMATION

<b>VEHICLE IDENTIFICATION</b>	
<b>NUMBER (VIN) CODE</b> . . . . .	00-00-2
<b>VEHICLE IDENTIFICATION NUMBERS</b>	
<b>(VIN)</b> . . . . .	00-00-2
2014 Model Year . . . . .	00-00-2
<b>HOW TO USE THIS MANUAL</b> . . . . .	00-00-3
Efficient Replacement of	
Body Panels . . . . .	00-00-3
Symbols of Panel Replacement . . . . .	00-00-3
Body Dimensions (Flat-plane	
Dimensions) . . . . .	00-00-4
Body Dimensions (Straight-line	
Dimensions) . . . . .	00-00-6
Symbols of Body Dimensions . . . . .	00-00-7
<b>AIR BAG SYSTEM</b>	
<b>SERVICE WARNINGS</b> . . . . .	00-00-8
Air Bag Module Inspection . . . . .	00-00-8
Air Bag Module Handling . . . . .	00-00-8
Side Air Bag Module Handling . . . . .	00-00-8
SAS Control Module Handling . . . . .	00-00-9
Crash Zone Sensor Handling . . . . .	00-00-9
Side Air Bag Sensor Handling . . . . .	00-00-9
Pre-tensioner Seat Belt Inspection . . . . .	00-00-10
<b>SERVICE PRECAUTIONS</b> . . . . .	00-00-10
Arrangement of Workshop . . . . .	00-00-10
Safety Precautions . . . . .	00-00-10
Vehicle Protection . . . . .	00-00-10
Remove Dangerous Articles . . . . .	00-00-10
Use of Pulling Equipment . . . . .	00-00-11
Prevent Short Circuits . . . . .	00-00-11
<b>EFFICIENT REMOVAL OF</b>	
<b>BODY PANELS</b> . . . . .	00-00-12
Body Measurements . . . . .	00-00-12
Prevention of Body Deformation . . . . .	00-00-12
Selection of Cut-and-join Locations . . . . .	00-00-12
Removal of Associated Parts . . . . .	00-00-12
Rough Cutting of Damaged Panel . . . . .	00-00-13
<b>EFFICIENT INSTALLATION OF</b>	
<b>BODY PANELS</b> . . . . .	00-00-13
Checking Preweld Measurements And	
Watching . . . . .	00-00-13
Welding Notes . . . . .	00-00-13
Spot Welding Notes . . . . .	00-00-14
Checking Weld Strength . . . . .	00-00-15
<b>INSTALLATION PREPARATIONS</b> . . . . .	00-00-16
Rough Cutting of New Parts . . . . .	00-00-16
Determination of Welding Method . . . . .	00-00-16
Making Holes for Arc Welding . . . . .	00-00-16
Application of Weld-through Primer . . . . .	00-00-17
<b>ANTICORROSION,</b>	
<b>SOUND INSULATION,</b>	
<b>AND VIBRATION INSULATION</b> . . . . .	00-00-17
Body Sealing . . . . .	00-00-17
Application of Undercoating . . . . .	00-00-17
Application of Rust Inhibitor . . . . .	00-00-18
Application of Dumping Sheet . . . . .	00-00-18
<b>ABBREVIATION</b> . . . . .	00-00-18
<b>IDENTIFICATION NUMBER</b>	
<b>LOCATIONS</b> . . . . .	00-00-19
Vehicle Identification Number (VIN) . . . . .	00-00-19
Engine Type/Number . . . . .	00-00-19
<b>BODY COLORS</b> . . . . .	00-00-19
Color Code and Color Name . . . . .	00-00-19
Verification of Primary Color Mixture for	
Body Color . . . . .	00-00-19

# GENERAL INFORMATION

## VEHICLE IDENTIFICATION NUMBER (VIN) CODE

id000000600800

### 2014 Model Year

<b>J</b>	<b>M</b>	<b>1</b>	<b>G</b>	<b>J</b>	<b>1</b>	<b>S</b>	<b>2</b>	<b>0</b>	<b>E</b>	<b>1</b>	<b>1</b>	<b>2</b>	<b>3</b>	<b>4</b>	<b>5</b>	<b>6</b>
											Serial No.					
											Plant					
											Model year					
											Check digit					
											Engine					
											Body style					
											Restraint system, Axle configuration					
											Carline, series					
											World manufacturer identification					

0= Hiroshima  
1= Hofu

E= 2014

0 to 9, X

3= 2.5 L (SKYACTIV-G 2.5, Mexico)  
5= 2.5 L (SKYACTIV-G 2.5, U.S.A., Canada)

S, T, U, V, W, X= Sedan

1= with side airbag, 2WD

GJ= Mazda6

JM1= Mazda/passenger car/USA

am6xuw0000649

## VEHICLE IDENTIFICATION NUMBERS (VIN)

id000000600100

### 2014 Model Year

JM1 GJ1S3\*E# 100001—  
JM1 GJ1S5\*E# 100001—  
JM1 GJ1T3\*E# 100001—  
JM1 GJ1T5\*E# 100001—  
JM1 GJ1U3\*E# 100001—  
JM1 GJ1U5\*E# 100001—  
JM1 GJ1V3\*E# 100001—  
JM1 GJ1V5\*E# 100001—  
JM1 GJ1W3\*E# 100001—  
JM1 GJ1W5\*E# 100001—  
JM1 GJ1X3\*E# 100001—  
JM1 GJ1X5\*E# 100001—

# GENERAL INFORMATION

## HOW TO USE THIS MANUAL

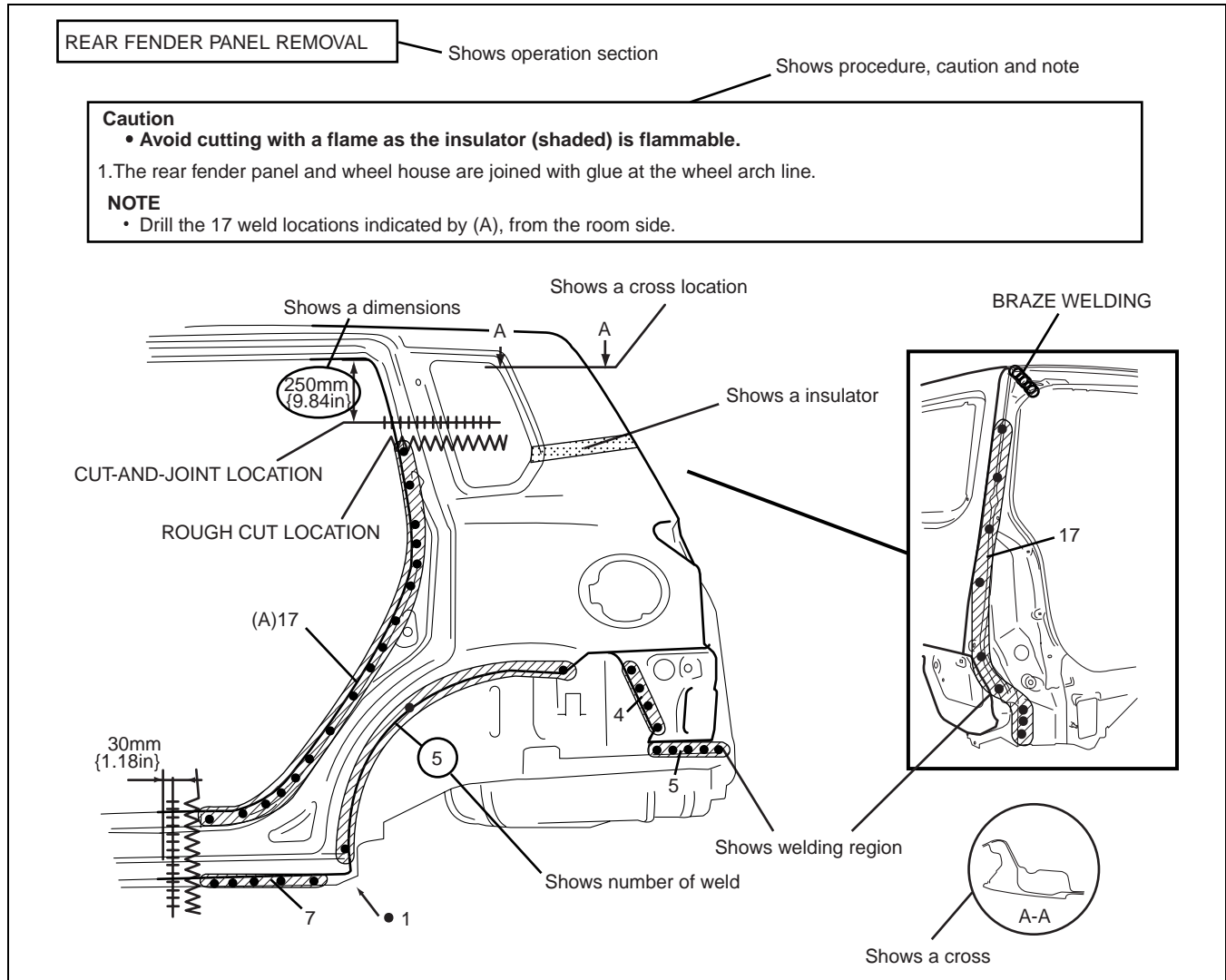
id00000600900

00-00

### Efficient Replacement of Body Panels

- This section contains information on the body panels in regard to the welding types, number of spot welds, and cut-and-join locations that are necessary for panel removal and installation.
- The type of weld and position are indicated by symbols.
- Some sections have notes concerning the operation being performed. Thoroughly read and understand the notes before carrying out any procedures.

### Example



acxuub00000031

### Symbols of Panel Replacement

- The following 6 symbols are used to indicate the type of weld that is used when replacing body panels.

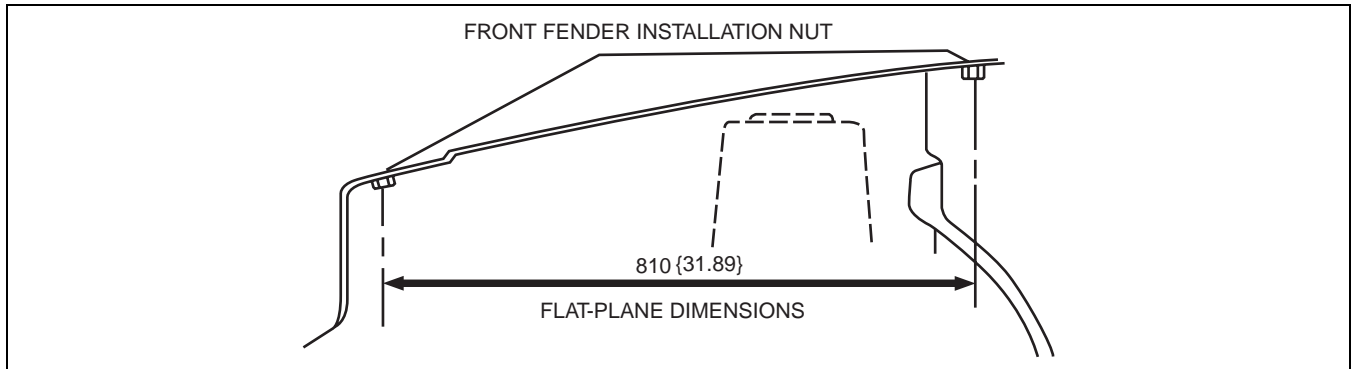
SYMBOL	MEANING	SYMBOL	MEANING
●	Spot welding		Continuous arc welding (Cut-and-join location)
■	Arc welding (plug welding)	○○○	Brazing welding (oxyacetylene welding)
+	Arc welding (spot welding)	~	Rough cut location

ac5wzb00000204

## GENERAL INFORMATION

### Body Dimensions (Flat-plane Dimensions)

- Flat-plane dimensions are the dimensions measured by projecting certain reference points onto a plane surface.



acxuub0000033

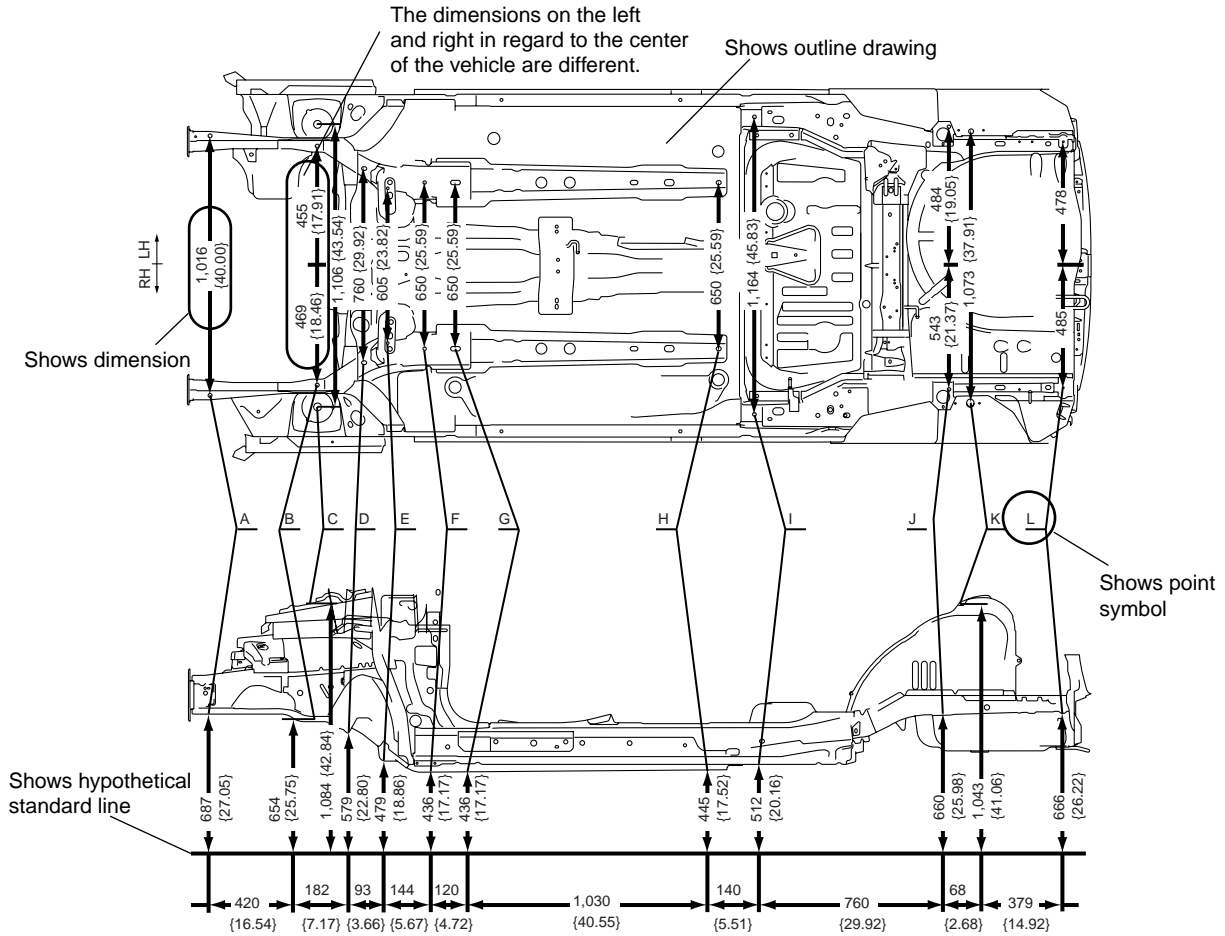
- When there are no specific indications, the standard points and dimensions are symmetrical in regard to the center of the vehicle.
- The hypothetical lines may differ according to the vehicle model.
- The schematic diagram shows the vehicle as it is projected from the underbody.

# GENERAL INFORMATION

## Example

00-00

### UNDERBODY FLAT-PLANE DIMENSIONS



The dimensions on the left and right in regard to the center of the vehicle are different.

Shows outline drawing

Shows dimension

Shows hypothetical standard line

Shows point symbol

When there are no specific indications, all of units are in millimeters (mm). mm {in}

Point symbol	Designation	Hole diameter or bolt or nut size mm {in}
A	Crossmember No.1 standard hole	φ 16 {0.62}
B	Front side frame standard hole	φ 16 {0.62}
C	Front suspension mounting block surface hole center	φ 80 {3.14}
D	Front suspension mounting bolt	<span style="border: 1px solid black; border-radius: 50%; padding: 2px;">M14 {0.55}</span>
E	Front frame rear standard hole	φ 16 {0.62}

Shows bolt size

Point symbol	Designation	Hole diameter or bolt or nut size mm {in}
F	Front frame rear standard hole	φ 18 {0.62}
G	Rear side frame standard hole	φ 16 {0.62}
H	Link bracket	<span style="border: 1px solid black; border-radius: 50%; padding: 2px;">17 × 29.5 {0.66×1.16}</span>
I	Rear suspension housing	φ 12 {0.47}
J	Rear side frame standard hole	φ 16 {0.62}
K	Rear suspension housing	φ 31 {1.22}
L	Rear side frame standard hole	<span style="border: 1px solid black; border-radius: 50%; padding: 2px;">φ 12 {0.47}</span>

Shows hole diameter

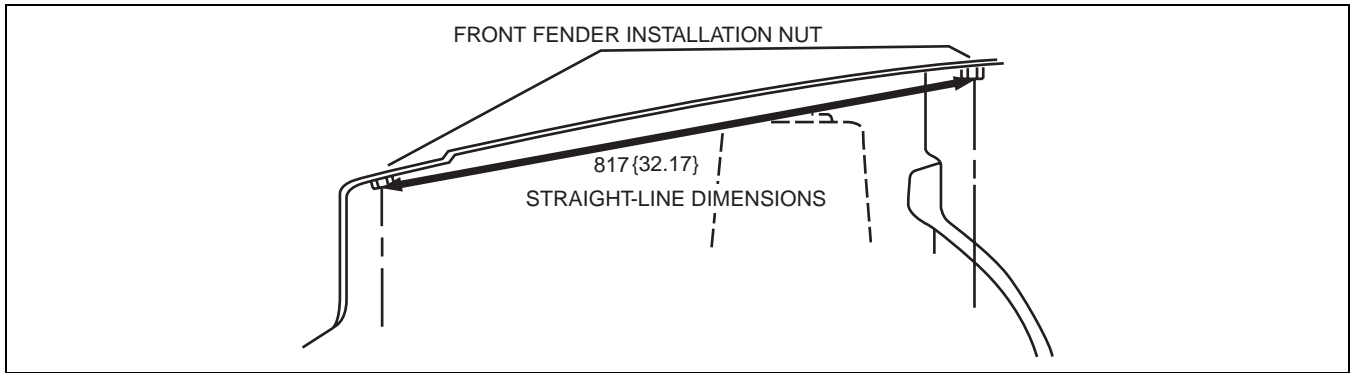
Shows slot

ac9uub0000034

## GENERAL INFORMATION

### Body Dimensions (Straight-line Dimensions)

- Straight-line dimensions are the actual dimensions between two standard points.



acxuub00000035

- When there are no specific indications, the standard points and dimensions are symmetrical in regard to the center of the vehicle.

# GENERAL INFORMATION

## Example

00-00

### ROOM STRAIGHT-LINE DIMENSIONS (1)

Shows vehicle section

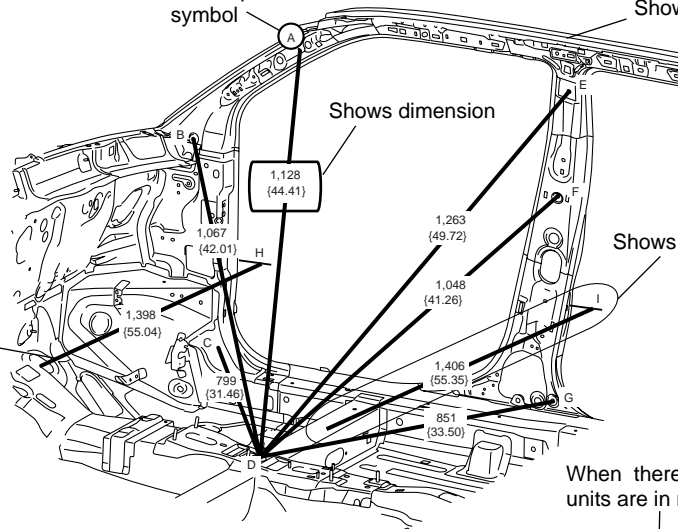
Shows point symbol

Shows outline drawing

Shows dimension

Shows dimension location

No indication are shown within the outline drawing.



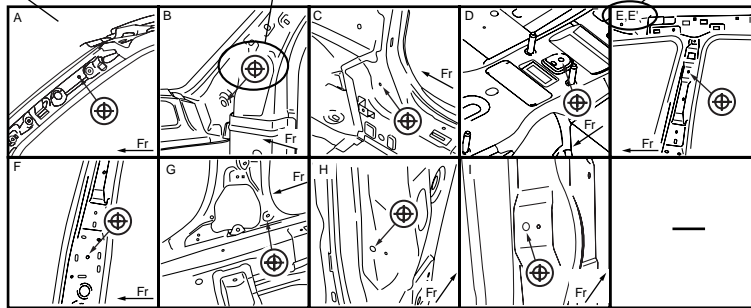
When there are no specific indications, all of units are in millimeters (mm).

mm {in}

Shows details of the standard point location

Shows position and shape of the points

Shows point indication  
Without apostrophe:RH  
With apostrophe:LH



Point symbol	Designation	Hole diameter or bolt or nut size mm {in}
A	Front pillar inner designation	φ 16 {0.62}
B	Front pillar inner designation	φ 17 {0.67}
C	Harness installation hole	φ 31 {1.22}
D	Front floor pan designation	M14 {0.55}
E	Adjuster installation hole	φ 16 {0.62}

Point symbol	Designation	Hole diameter or bolt or nut size mm {in}
F	Trim installation hole	φ 18 {0.71}
G	Harness installation hole	φ 16 {0.62}
H	Chaker bracket installation hole	17 × 29.5 {0.66 × 1.16}
I	Chaker bracket installation hole	φ 12 {0.47}

Shows hole diameter

Shows slot

Shows bolt size

am3uub0000007

## Symbols of Body Dimensions

- The following 8 symbols are used to indicate the standard points.

SYMBOL	MEANING	SYMBOL	MEANING
	Center of circular hole		Bolt tip
	Center elliptical hole		Center of rectangular-shaped hole
	Notch		Edge of rectangular-shaped hole
	Panel seam, bead, etc.		

acxuub00000037

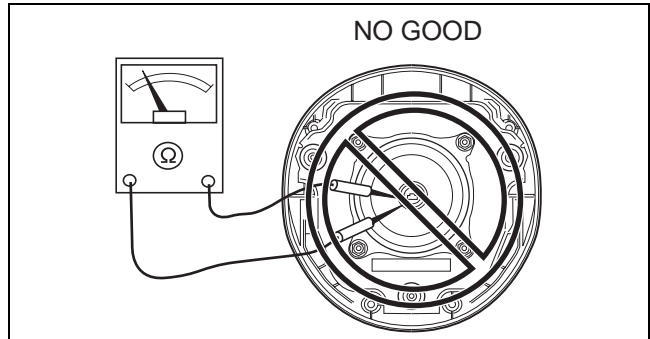
# GENERAL INFORMATION

## AIR BAG SYSTEM SERVICE WARNINGS

id000000920000

### Air Bag Module Inspection

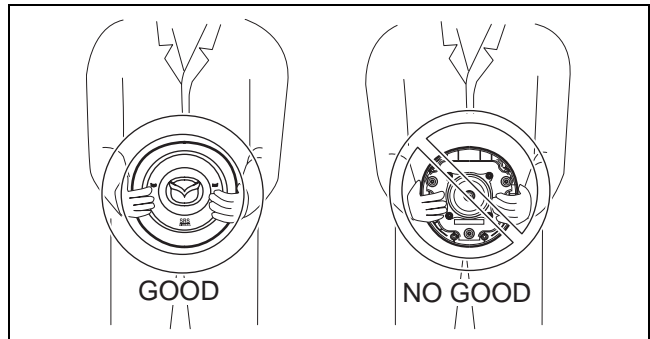
- Inspecting an air bag module using a tester can operate (deploy) the air bag module, which may cause serious injury. Do not use a tester to inspect an air bag module. Always use the on-board diagnostic function to diagnose the air bag module for malfunctions.



am6xuw0000606

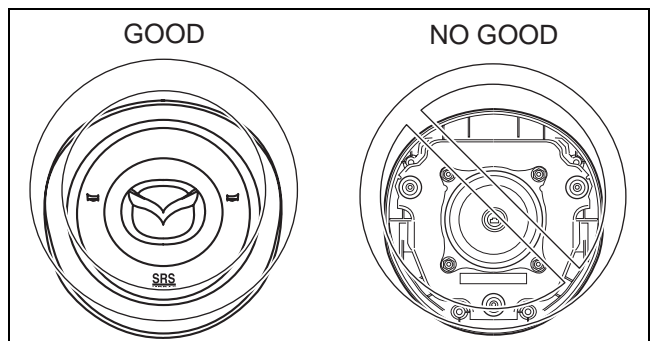
### Air Bag Module Handling

- Before removing the air bag module or disconnecting the air bag module connector, always switch the ignition off, disconnect the negative battery cable, and then wait for 1 min or more to allow the backup power supply of the SAS control module to deplete its stored power.
- Handling a live (undeployed) air bag module that is pointed toward your body could result in serious injury if the air bag module were to accidentally operate (deploy). When carrying a live (undeployed) air bag module, point the deployment surface away from your body to lessen the chance of injury in case it operates (deploys).



am6xuw0000606

- A live (undeployed) air bag module placed with its deployment surface to the ground is dangerous. If the air bag module were to accidentally operate (deploy), it could cause serious injury. Always place a live (undeployed) air bag module with its deployment surface up.



am6xuw0000606

### Side Air Bag Module Handling

- Before removing the side air bag module or disconnecting the side air bag module connector, always switch the ignition off, disconnect the negative battery cable, and then wait for 1 min or more to allow the backup power supply of the SAS control module to deplete its stored power.
- When a side air bag module operates (deploys) due to a collision, the interior of the seat back (pad, frame, trim) may become damaged. If a side air bag does not operate (deploy) normally from a seat back that has been reused, a serious accident may result. After a side air bag has operated (deployed), always replace both the side air bag module and the seat back (pad, frame, trim) with new parts. After servicing, verify that the seat operates normally and that the wiring harness is not caught.

### SAS Control Module Handling

- When connecting or disconnecting the SAS control module connector, a person charged with static electricity could accidentally operate (deploy) each air bag module. Before connecting or disconnecting the SAS control module connector, discharge any charged static electricity from your body.
- Removing the SAS control module or disconnecting the SAS control module connector with the ignition ON can activate the sensor in the SAS control module and operate (deploy) the air bags and pre-tensioner seat belts, which may cause serious injury. Before removing the SAS control module or disconnecting the SAS control module connector, always switch the ignition off, disconnect the negative battery cable, and then wait for 1 min or more to allow the backup power supply of the SAS control module to deplete its stored power.
- Connecting the SAS control module connector with the SAS control module not securely fixed to the vehicle is dangerous. The sensor in the SAS control module could send an electrical signal to the air bag modules and pre-tensioner seat belts. This will operate (deploy) the air bags and pre-tensioner seat belts, which may result in serious injury. Therefore, before connecting the connector, securely fix the SAS control module to the vehicle.
- Because a sensor is built into the SAS control module, once the air bags and pre-tensioner seat belts have operated (deployed) due to a collision or other causes, the SAS control module must be replaced with a new one even if the used one does not have any visible external damage or deformation. The used SAS control module may have been damaged internally, which may cause improper operation. If the SAS control module is reused, the air bags and pre-tensioner seat belts may not operate (deploy) normally, which could result in a serious accident. Always replace the SAS control module with a new one. The SAS control module cannot be bench-checked or self-checked.

### Crash Zone Sensor Handling

- Removing the crash zone sensor or disconnecting the crash zone sensor connector with the ignition ON can activate the crash zone sensor and operate (deploy) the air bags and pre-tensioner seat belts, which may cause serious injury. Before removing the crash zone sensor or disconnecting the crash zone sensor connector, always switch the ignition off, disconnect the negative battery cable, and then wait for 1 min or more to allow the backup power supply of the SAS control module to deplete its stored power.
- If the crash zone sensor is subjected to shock or the sensor is disassembled, the air bags and pre-tensioner seat belts may accidentally operate (deploy) and cause injury, or the system may fail to operate normally and cause a serious accident. Do not subject the crash zone sensor to shock or disassemble the sensor.
- Because a sensor is built into the crash zone sensor, once the air bags and pre-tensioner seat belts have operated (deployed) due to a collision or other causes, the crash zone sensor must be replaced with a new one even if the used one does not have any visible external damage or deformation. If the crash zone sensor is reused, the air bags and pre-tensioner seat belts may not operate (deploy) normally, which could result in a serious accident. Always replace the crash zone sensor with a new one. The crash zone sensor cannot be bench-checked or self-checked.

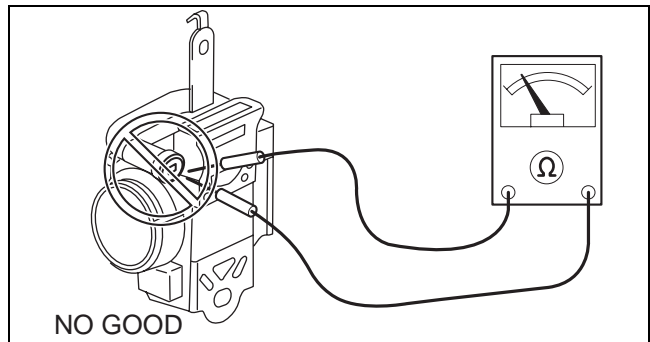
### Side Air Bag Sensor Handling

- Removing the side air bag sensor or disconnecting the side air bag sensor connector with the ignition ON can activate the side air bag sensor and operate (deploy) the side air bag, which may cause serious injury. Before removing the side air bag sensor or disconnecting the side air bag sensor connector, always switch the ignition off, disconnect the negative battery cable, and then wait for 1 min or more to allow the backup power supply of the SAS control module to deplete its stored power.
- If the side air bag sensor is subjected to shock or the sensor is disassembled, the side air bag may accidentally operate (deploy) and cause injury, or the system may fail to operate normally and cause a serious accident. Do not subject the side air bag sensor to shock or disassemble the sensor.
- Because a sensor is built into the side air bag sensor, once the air bag has operated (deployed) due to a collision or other causes, the side air bag sensor must be replaced with a new one even if the used one does not have any visible external damage or deformation. If the side air bag sensor is reused, the side air bag may not operate (deploy) normally, which could result in a serious accident. Always replace the side air bag sensor with a new one. The side air bag sensor cannot be bench-checked or self-checked.

## GENERAL INFORMATION

### Pre-tensioner Seat Belt Inspection

- Inspecting a pre-tensioner seat belt using a tester can operate (deploy) the pre-tensioner seat belt, which may cause serious injury. Do not use a tester to inspect a pre-tensioner seat belt. Always use the on-board diagnostic function to diagnose the pre-tensioner seat belt for malfunctions.



ac5uuw00001455

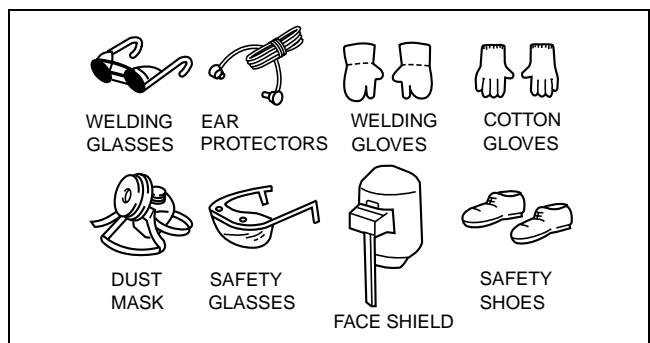
### SERVICE PRECAUTIONS

#### Arrangement of Workshop

- Arrangement of the workshop is important for safe and efficient work.

#### Safety Precautions

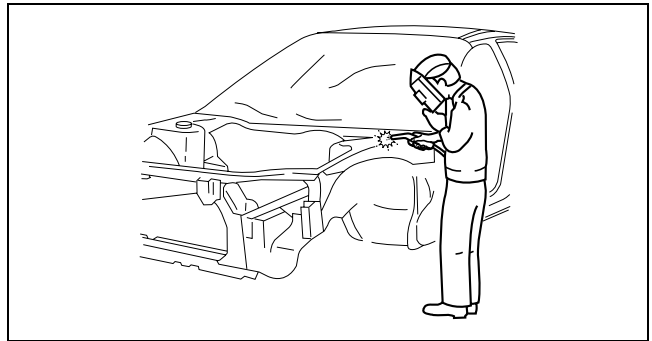
- Protective head covering and safety shoes should always be worn. Depending upon the nature of the work, gloves, safety glasses, ear protectors, face shield, etc., should also be used.



am3uub0000007

#### Vehicle Protection

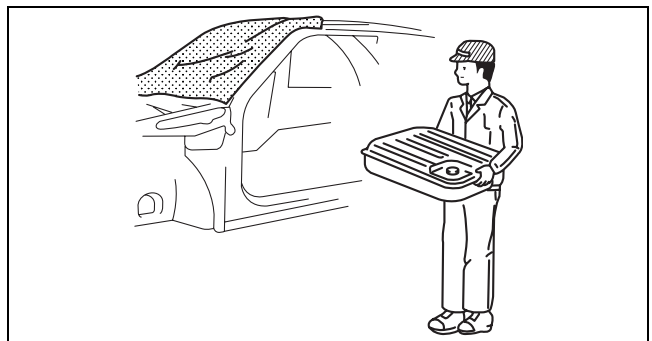
- Use seat covers and floor covers.
- Use heat-resistant protective covers to protect glass areas and seats from heat or sparks during welding.
- Protect items such as moldings, garnishes, and ornaments with tape when welding.



acxuub00000063

#### Remove Dangerous Articles

- Remove the fuel tank before using an open flame in that area. Plug connection piping to prevent fuel leakage.

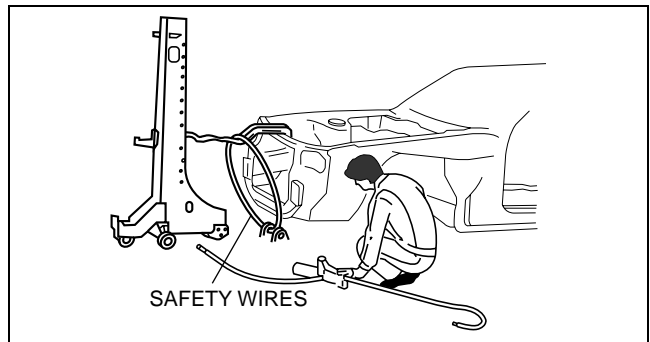


acxuub00000064

## GENERAL INFORMATION

### Use of Pulling Equipment

- When using pulling equipment, keep away from the pulling area and use safety wires to prevent accidents.

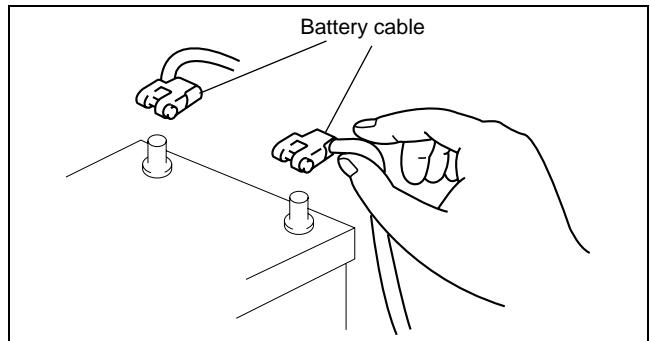


am3uub000007

00-00

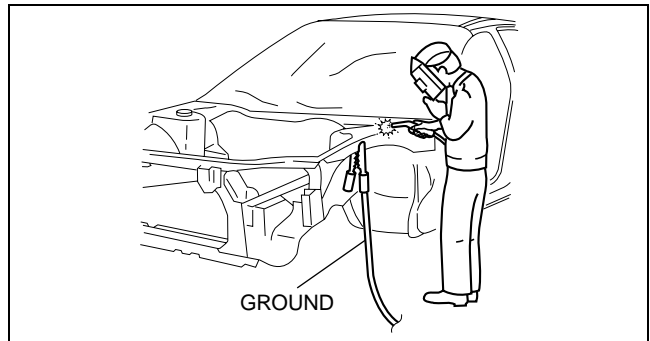
### Prevent Short Circuits

- Switch the ignition to off.
- Disconnect the battery cables.



acxuub0000042

- Securely connect the welding machine ground near the welding area.



am3uub000007

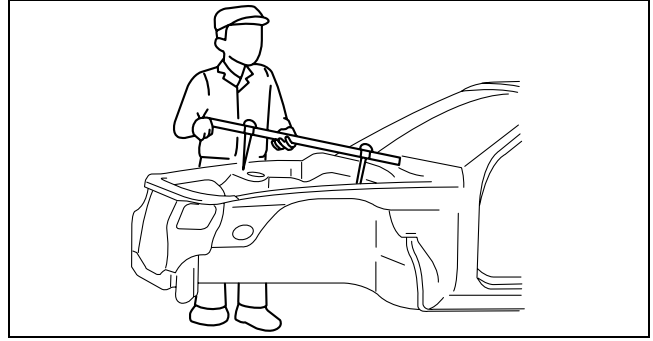
# GENERAL INFORMATION

## EFFICIENT REMOVAL OF BODY PANELS

id000000600300

### Body Measurements

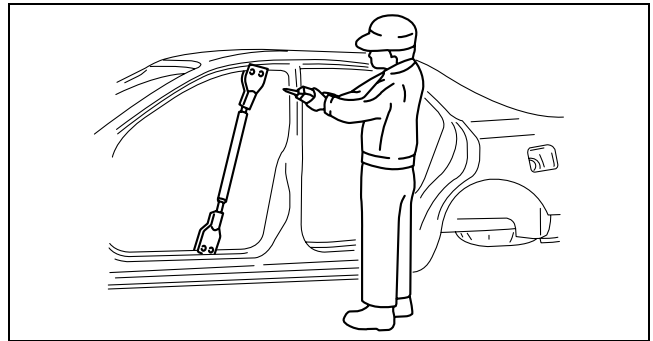
- Before removal or rough-cutting, first measure the body at and around the damaged area against the standard reference dimension specifications. If there is deformation, use frame repair equipment to make a rough correction.



acxuub00000065

### Prevention of Body Deformation

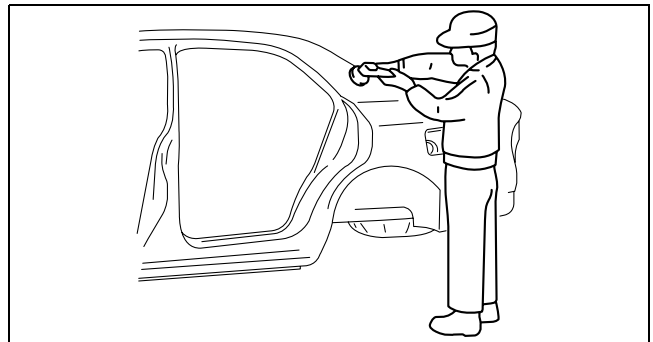
- Use a clamp or a jack for removal and reinforce at and around the rough-cutting location to prevent deforming of the body.



acxuub00000066

### Selection of Cut-and-join Locations

- For parts where complete replacement is not feasible, careful cutting and joining operations should be followed. If the location to be cut is a flat area where there is no reinforcement, the selected cutting location should be where the welding distortion will be minimal.



acxuub00000067

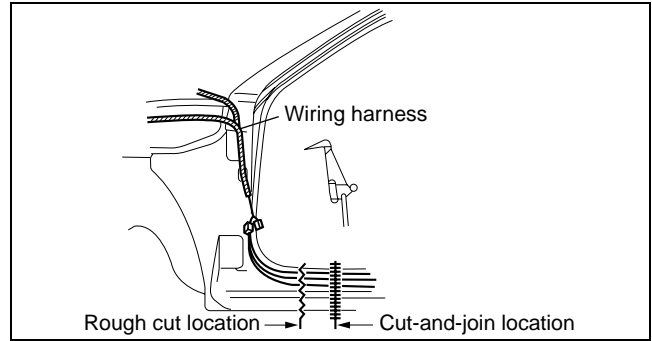
### Removal of Associated Parts

- Protect moldings, garnishes, and ornaments with tape when removing associated parts.

# GENERAL INFORMATION

## Rough Cutting of Damaged Panel

- Verify that there are no parts (such as pipes, hoses, and wiring harness) nearby or on the opposite side of a panel which could be damaged by heat.
- For cut-and-join areas, allow for an overlap of 30—50 mm {1.2—1.9 in} and then rough-cut the damaged panel.



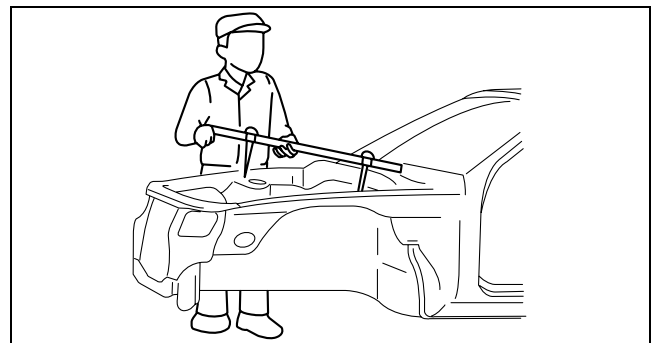
acxuub0000047

## EFFICIENT INSTALLATION OF BODY PANELS

### Checking Preweld Measurements And Watching

- Align to the standard reference dimensions, based upon the body dimensions illustration, so that new parts are installed in the correct position.

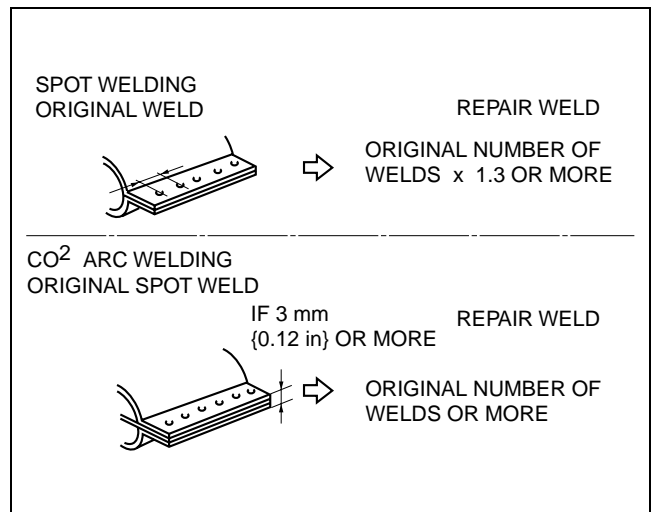
id000000600500



acxuub0000069

## Welding Notes

- For the number of weld points, welding should be performed in accordance with the following reference standards.



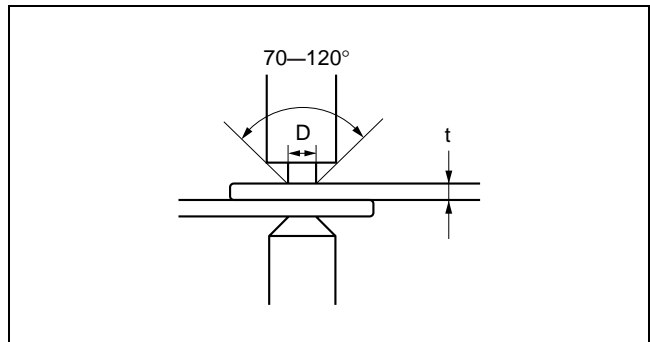
am3uub0000007

00-00

## GENERAL INFORMATION

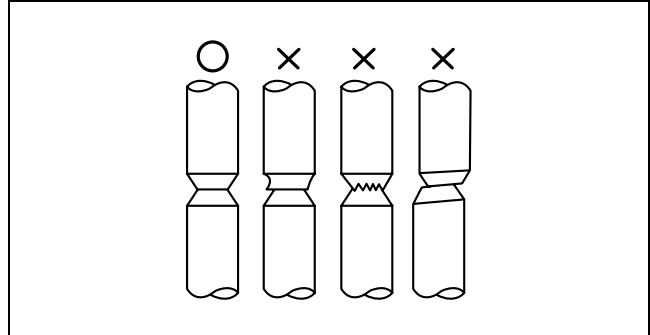
### Spot Welding Notes

- The shape of the spot welder tip is  $D=(2\times t)+3$ . If the upper panel thickness is different from that of the under panel, adjust to the thinner one.



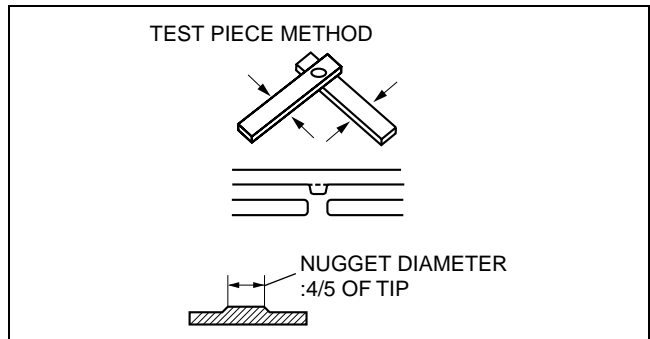
ac9uub00000041

- Because the weld strength is affected by the shape of the spot welder tip, the optimum condition of the tip should always be maintained.
- Spot welds should be made at points other than the originally welded points.



acxuub00000070

- Before spot welding, make a trial weld using the same material as the body panel to check the weld strength.

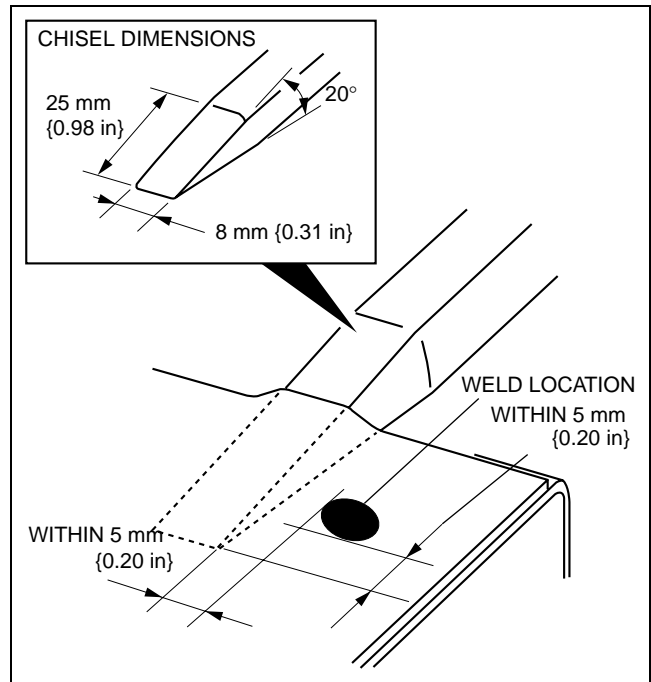


am3uub00000007

## GENERAL INFORMATION

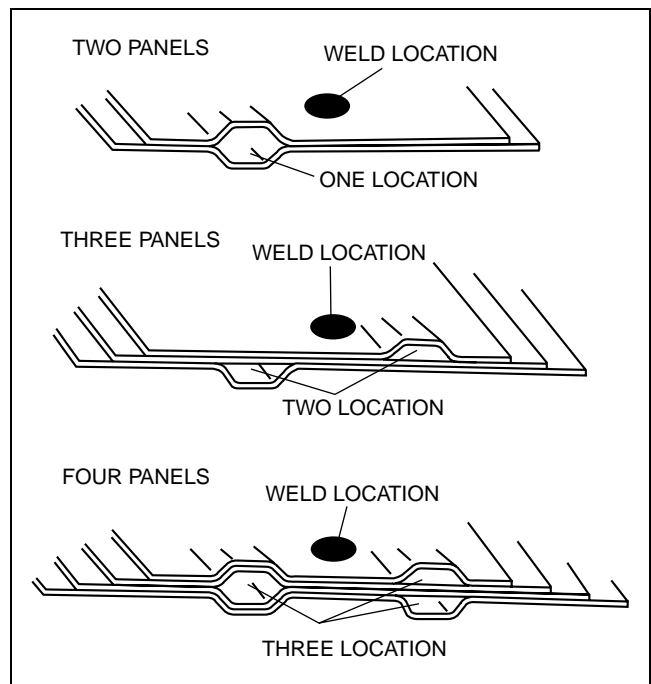
### Checking Weld Strength

- Installation locations of the engine, chassis, and seat belts are designated as important safety locations for weld strength. Check weld strength by driving a chisel between the panels at every fourth or fifth weld spot, and every tenth regular weld location.



00-00

- Drive the chisel between the panels according to the number of panels as shown below.
- To determine weld strength, drive the chisel between the panel and check whether the panels come apart. If the panels come apart, make another weld near the original weld.
- Restore the shape of the checked area.



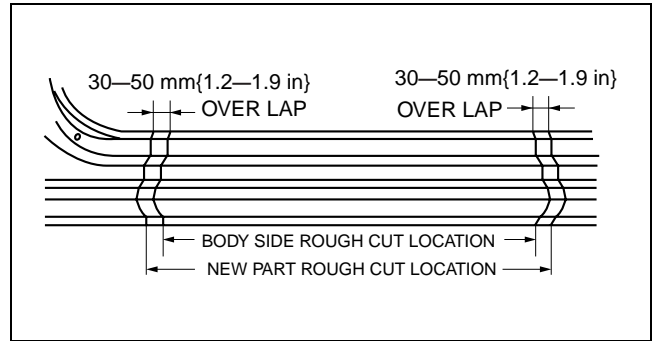
# GENERAL INFORMATION

## INSTALLATION PREPARATIONS

id000000600400

### Rough Cutting of New Parts

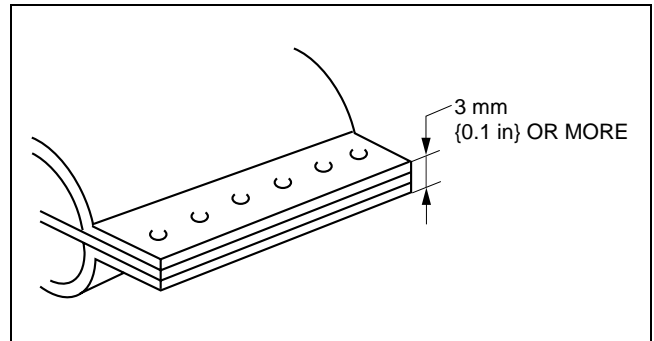
- For cut-and-join areas, allow for an overlap of 30—50 mm {1.2—1.9 in} with the remaining area on the body side and then rough-cut the new parts.



am3uub0000008

### Determination of Welding Method

- If the total thickness at the area to be welded is 3 mm {0.12 in} or more, use a gas shielded-arc welder to make the plug welds.



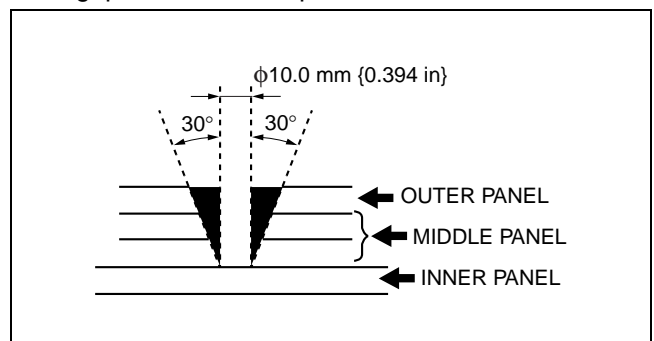
am3uub0000008

### Making Holes for Arc Welding

- For places that cannot be spot welded, make a hole for arc welding using a punch or drill as follows.

(mm {in})	
Panel thickness ( $\phi$ )	Hole diameter ( $\phi$ )
0.60—0.90 {0.024—0.035}	5.0 {0.20}
0.91—1.20 {0.036—0.047}	6.0 {0.24}
1.21—1.80 {0.0477—0.0708}	8.0 {0.31}
1.81—4.50 {0.072—0.177}	10.0 {0.394}

- Grind the shaded section indicated in the diagram below and create a hole in the part where the 3—4 plates are put together. Also, weld the plates together tightly so that gaps do not develop.

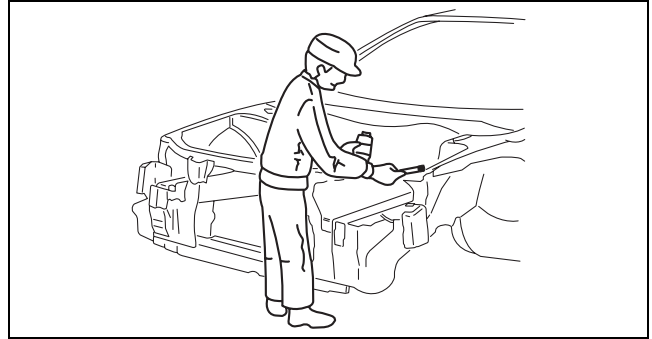


am3uub0000008

## GENERAL INFORMATION

### Application of Weld-through Primer

- For treatment against corrosion, remove the paint grease, and other material from the portion of new part and body to be welded, and apply weld-through primer.



acxuub0000068

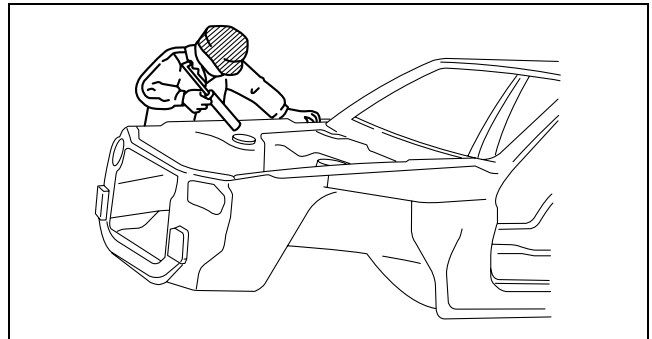
00-00

### ANTICORROSION, SOUND INSULATION, AND VIBRATION INSULATION

id000000600600

#### Body Sealing

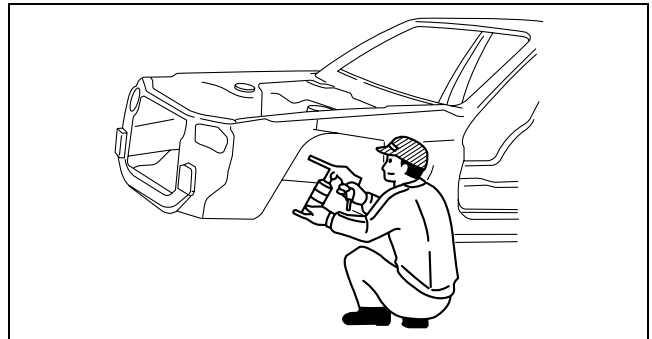
- Apply body sealer where necessary.
- For locations where application of body sealer is difficult after installation, apply it before installation.



acxuub0000069

#### Application of Undercoating

- Apply an undercoat to the required location of the body.



acxuub0000060

## GENERAL INFORMATION

### Application of Rust Inhibitor

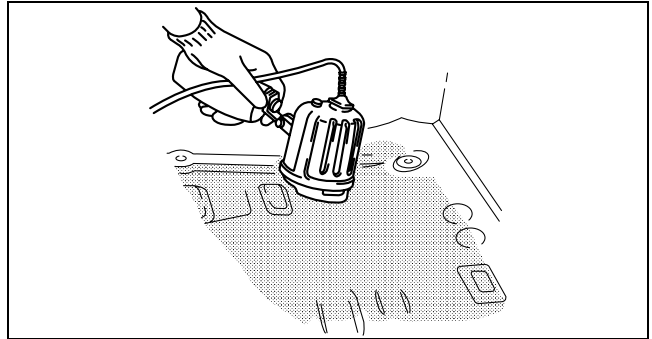
- Apply rust inhibitor (wax, oil, etc.) to the back of the welded areas.



acxuub00000061

### Application of Dumping Sheet

- Apply dumping sheet by heating with an infrared ray lamp.



acxuub00000062

### ABBREVIATION

Fr	Front
LH	Left Hand
RH	Right Hand
Rr	Rear

id000000600700

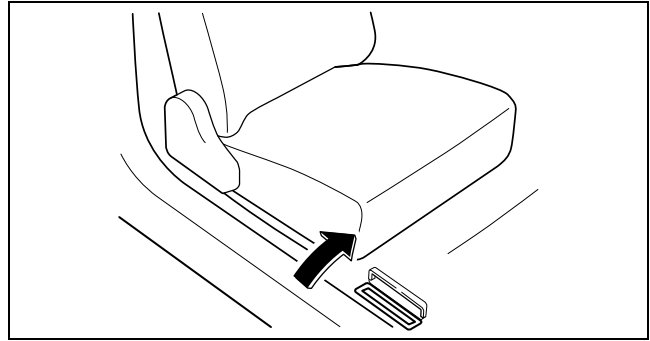
# GENERAL INFORMATION

## IDENTIFICATION NUMBER LOCATIONS

id00000978900

### Vehicle Identification Number (VIN)

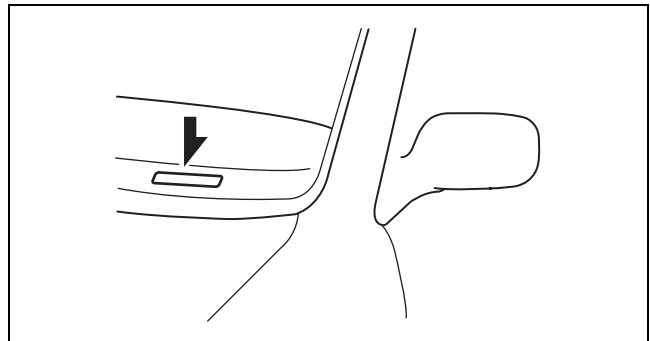
- The VIN marking position is located on the floor on the front passenger-side.



ac5wzw0000118

00-00

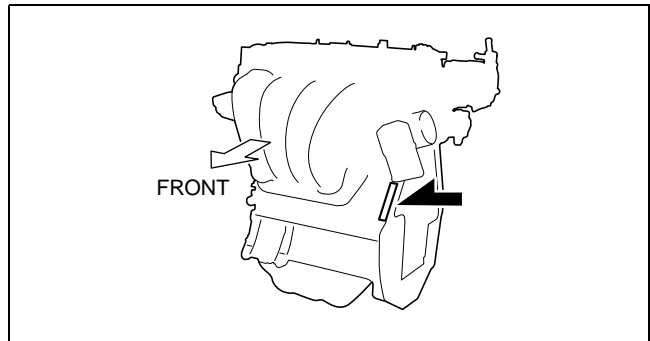
- If the VIN plate is adhered to the dashboard, it is located in the position shown in the figure.



am6zzw0000387

### Engine Type/Number

SKYACTIV-G 2.0, SKYACTIV-G 2.5



am6xuw0000622

## BODY COLORS

id000000788800

### Color Code and Color Name

Color Code	Color Name
A4D	Arctic white CLE
25D	Snowflake white pearl
34K	Crystal white pearl
35J	Stormy blue MC
38P	Aluminum metallic M
41V	Soul red M
41W	Jet black MC
42A	Meteor gray MC
42B	Blue reflex MC

### Verification of Primary Color Mixture for Body Color

Confirm the primary color mixture for the body color at the paint manufacturer URL.



# BODY & ACCESSORIES

**09**  
SECTION

09-80A

BODY STRUCTURE  
[CONSTRUCTION] ..... 09-80A  
BODY STRUCTURE  
[PANEL REPLACEMENT] ... 09-80B  
BODY STRUCTURE  
[WATER-PROOF AND  
RUST PREVENTIVE] ..... 09-80C

BODY STRUCTURE  
[DIMENSIONS] ..... 09-80D  
BODY STRUCTURE  
[PLASTIC BODY PARTS] ... 09-80E  
BODY STRUCTURE  
[CONSTRUCTION STANDARD  
VALUES] ..... 09-80F

## 09-80A BODY STRUCTURE [CONSTRUCTION]

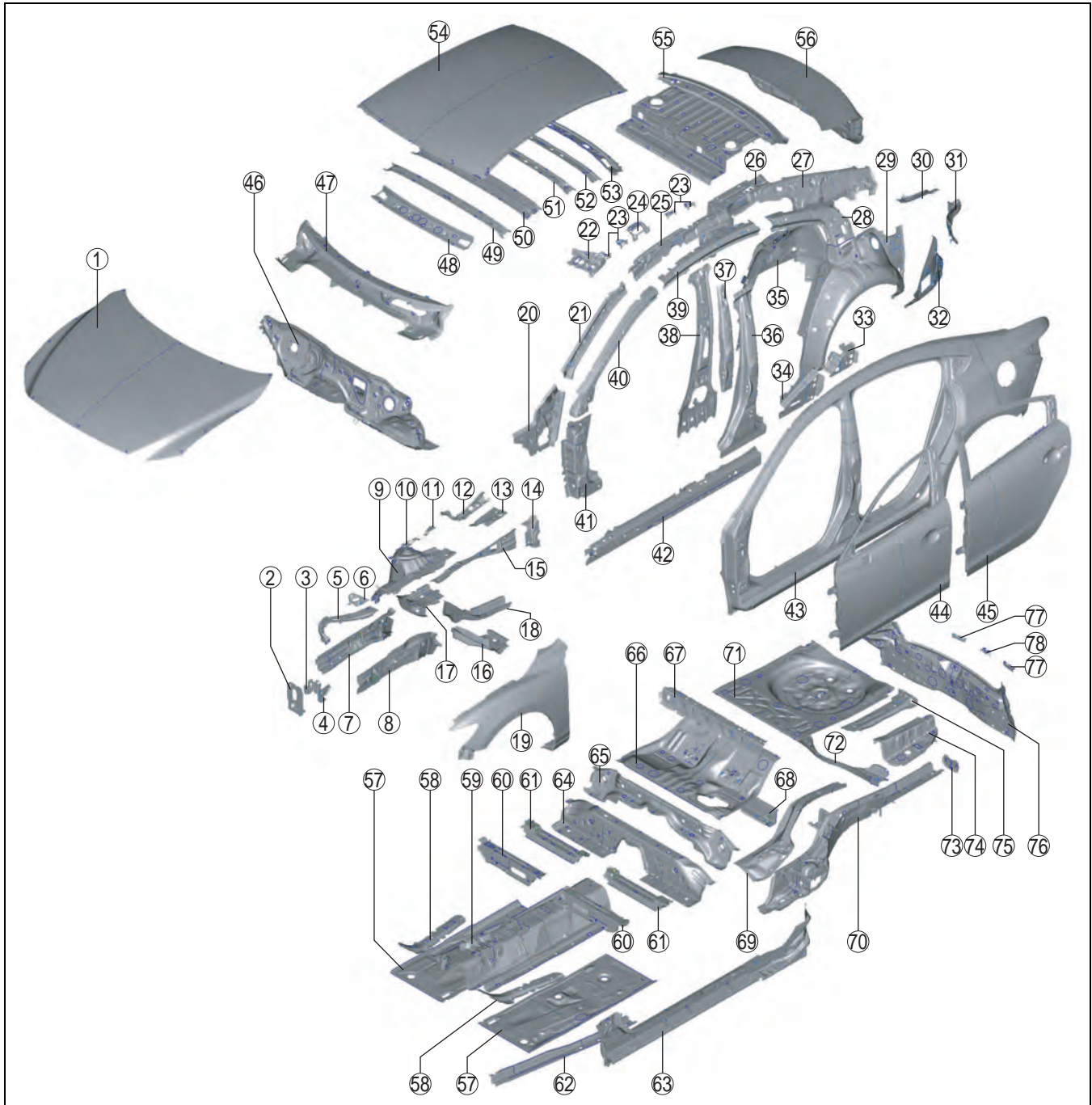
BODY COMPONENTS CONSTRUCTION  
[CONSTRUCTION] ..... 09-80A-2  
ULTRA HIGH-TENSION STEEL  
[CONSTRUCTION] ..... 09-80A-7

Characteristics of Ultra High-Tensile  
Steel Plates ..... 09-80A-7  
Range of Use and  
Cautions for Service ..... 09-80A-7

# BODY STRUCTURE [CONSTRUCTION]

## BODY COMPONENTS CONSTRUCTION [CONSTRUCTION]

id098007739700



am6zzb0000032

x:Applied  
-:Not applied

No.	Part Name	Ultra high-tension steel	High-tension steel	Rust proof steel	Thickness (mm) {in}
1	Hood	-	X	X	0.70 {0.03}
2	Bumper bracket	X	-	X	2.60 {0.10}
3	Suspension mounting reinforcement	-	X	X	2.90 {0.11}
4	Outer frame reinforcement	-	X	X	2.00 {0.0787}

## BODY STRUCTURE [CONSTRUCTION]

No.	Part Name	Ultra high-tension steel	High-tension steel	Rust proof steel	Thickness (mm) {in}	
5	Shroud side member component	Apron reinforcement (lower)	-	X	X	1.00 {0.0394}
		Side stay	-	-	X	1.20 {0.0472}
		Shroud side panel	-	X	X	0.90 {0.035}
6	Shroud upper reinforcement	-	-	X	0.80 {0.031}	
7	Front side frame (inner)	Front	-	X	X	1.40 {0.0551}
		Rear	X	-	X	1.60 {0.0630}
8	Front side frame (outer)	Front	-	X	X	1.40 {0.0551}
		Rear	X	-	X	1.60 {0.0630}
9	Wheel apron component	Suspension housing (upper)	-	X	X	2.30 {0.091}
		Apron reinforcement	-	X	X	1.20 {0.0472}
		Apron reinforcement No.3	X	-	X	1.40 {0.0551}
		Cowl side reinforcement (inner)	-	X	X	1.00 {0.0394}
		Suspension housing (lower)	-	-	X	1.00 {0.0394}
10	Front wheel apron panel	-	-	X	0.80 {0.031}	
11	Front fender junction	-	-	X	0.80 {0.031}	
12	Wiper bracket	-	X	X	1.40 {0.0551}	
13	Cowl plate (upper)	-	X	X	1.40 {0.0551}	
14	Cowl side reinforcement (upper)	-	X	X	1.60 {0.0630}	
15	Cowl side reinforcement (lower)	Front	-	X	X	0.80 {0.031}
		Rear	X	-	X	1.20 {0.0472}
16	Torque box	-	X	X	1.80 {0.0709}	
17	Side member	-	-	X	1.40 {0.0551}	
18	Front frame (rear)	X	-	X	2.00 {0.0787}	
19	Front fender panel	-	-	X	0.70 {0.028}	
20	Hinge pillar (inner)	X	-	X	1.20 {0.0472}	
21	Front pillar (inner)	X	-	-	1.60 {0.0630}	
22	Front pillar upper reinforcement	-	-	-	0.70 {0.028}	
23	Nut plate	-	-	-	1.20 {0.0472}	

09-80A

## BODY STRUCTURE [CONSTRUCTION]

No.	Part Name	Ultra high-tension steel	High-tension steel	Rust proof steel	Thickness (mm) {in}
24	Roof corner gusset	X	-	-	1.20 {0.0472}
25	Roof rail (inner)	X	-	-	1.20 {0.0472}
26	Package gusset component	Package junction	-	-	0.90 {0.035}
		Package reinforcement	-	-	0.90 {0.035}
		Package gusset	-	-	1.00 {0.0394}
		Wheel housing gusset	-	-	1.00 {0.0394}
27	Rear pillar (inner)	-	-	-	0.65 {0.026}
28	Suspension housing reinforcement component	C pillar reinforcement	X	-	1.40 {0.0551}
		Suspension housing reinforcement	-	-	-
29	Wheel housing (outer)	-	-	X	0.65 {0.026}
30	Rear fender rain rail	-	-	X	0.70 {0.028}
31	Corner plate	-	-	X	0.70 {0.028}
32	Rear fender panel (lower)	-	-	X	0.70 {0.028}
33	Tower anchor reinforcement	X	-	-	1.60 {0.0630}
34	Side sill reinforcement (rear)	X	-	X	1.80 {0.0709}
35	Wheel housing (inner)	-	-	X	0.70 {0.028}
36	Center pillar reinforcement	Upper	X	-	2.00 {0.0787}
		Lower	X	-	2.00 {0.0787}
37	Center pillar reinforcement (inner)	X	-	-	2.30 {0.0906}
38	Center pillar (inner)	-	X	X	1.20 {0.0472}
39	Roof rail reinforcement	X	-	-	1.40 {0.0551}
40	Front pillar reinforcement	Upper	X	-	1.60 {0.0630}
		Lower	X	-	1.80 {0.0709}
41	Hinge reinforcement	X	-	X	1.40 {0.0551}
42	Side sill reinforcement	X	-	X	1.40 {0.0551}
43	Cabin side outer frame	-	-	X	0.70 {0.028}
44	Front door	Outer panel	-	X	0.70 {0.028}
		Inner panel	-	-	X

## BODY STRUCTURE [CONSTRUCTION]

No.	Part Name		Ultra high-tension steel	High-tension steel	Rust proof steel	Thickness (mm) {in}
45	Rear door	Outer panel	-	X	X	0.70 {0.028}
		Inner panel	-	-	X	0.65 {0.026}
46	Dash lower component	Upper panel	-	-	X	0.80 {0.031}
		Tunnel junction No.1	-	-	X	0.80 {0.031}
		Front frame rear reinforcement	X	-	X	1.20 {0.0472}
		Tunnel reinforcement	-	X	X	1.20 {0.0472}
47	Dash and cowl component	Cowl panel	-	-	X	0.60 {0.024}
		Dash upper panel	-	-	X	0.90 {0.035}
48	Front header		-	-	X	0.70 {0.028}
49	Roof reinforcement No.1		-	-	-	0.55 {0.022}
50	Roof reinforcement No.2		X	-	-	1.00 {0.0394}
51	Roof reinforcement No.3		-	-	-	0.55 {0.022}
52	Roof reinforcement No.4		-	-	-	0.55 {0.022}
53	Rear header		-	-	-	0.75 {0.0310}
54	Roof panel		-	-	-	0.75 {0.0310}
55	Rear package tray		-	-	-	0.60 {0.024}
56	Cabin side outer frame	Outer	-	-	X	0.70 {0.028}
		Inner	-	-	X	0.60 {0.024}
		End	-	-	X	0.60 {0.024}
57	Front floor side panel		-	-	X	0.60 {0.024}
58	Floor reinforcement	Front	X	-	-	1.80 {0.0709}
		Rear	-	X	-	1.00 {0.0394}
59	Tunnel reinforcement		X	-	X	0.90 {0.035}
60	Crossmember No.2		X	-	-	1.00 {0.0394}
61	Crossmember No.2.5		X	-	-	1.60 {0.0630}
62	Front B frame	Front	X	-	-	1.40 {0.0551}
		Rear	X	-	-	1.00 {0.0394}

09-80A

## BODY STRUCTURE [CONSTRUCTION]

No.	Part Name		Ultra high-tension steel	High-tension steel	Rust proof steel	Thickness (mm) {in}
63	Side sill (inner)	Front	-	X	X	1.40 {0.0551}
		Center	X	-	X	1.60 {0.0630}
		Rear	X	-	X	1.20 {0.0472}
64	Crossmember No.3 (lower)	Center upper	X	-	X	1.40 {0.0551}
		Side upper	X	-	X	1.60 {0.0630}
		Center lower	-	X	X	0.80 {0.031}
		Side lower	-	X	X	1.00 {0.0394}
65	Crossmember No.3 (upper)		-	-	X	0.60 {0.024}
66	Center floor panel		-	-	X	0.60 {0.024}
67	Rear floor front reinforcement		-	X	-	0.90 {0.035}
68	Crossmember No.4 (front)		-	-	X	0.90 {0.035}
69	Rear frame reinforcement		-	-	X	0.90 {0.035}
70	Rear side frame	Front	X	-	X	1.60 {0.0630}
		Center	X	-	X	1.60 {0.0630}
		Rear	X	-	X	1.40 {0.0551}
71	Trunk floor panel		-	-	X	0.60 {0.024}
72	Crossmember No.4 (rear)		-	-	X	0.90 {0.035}
73	Rear bumper bracket		X	-	X	2.00 {0.0787}
74	Floor side panel No.2		-	-	X	0.70 {0.028}
75	Floor side panel No.1	Front	X	-	X	1.20 {0.0472}
		Rear (upper)	-	X	X	2.00 {0.0787}
		Rear (lower)	X	-	X	1.60 {0.0630}
76	Rear end panel component	Rear end panel	-	-	X	0.60 {0.024}
		Rear end member	-	-	X	0.70 {0.028}
77	Rear bumper reinforcement No.1		-	-	X	1.00 {0.0394}
78	Rear bumper reinforcement No.2		-	-	X	1.00 {0.0394}

# BODY STRUCTURE [CONSTRUCTION]

## ULTRA HIGH-TENSION STEEL [CONSTRUCTION]

id098007745600

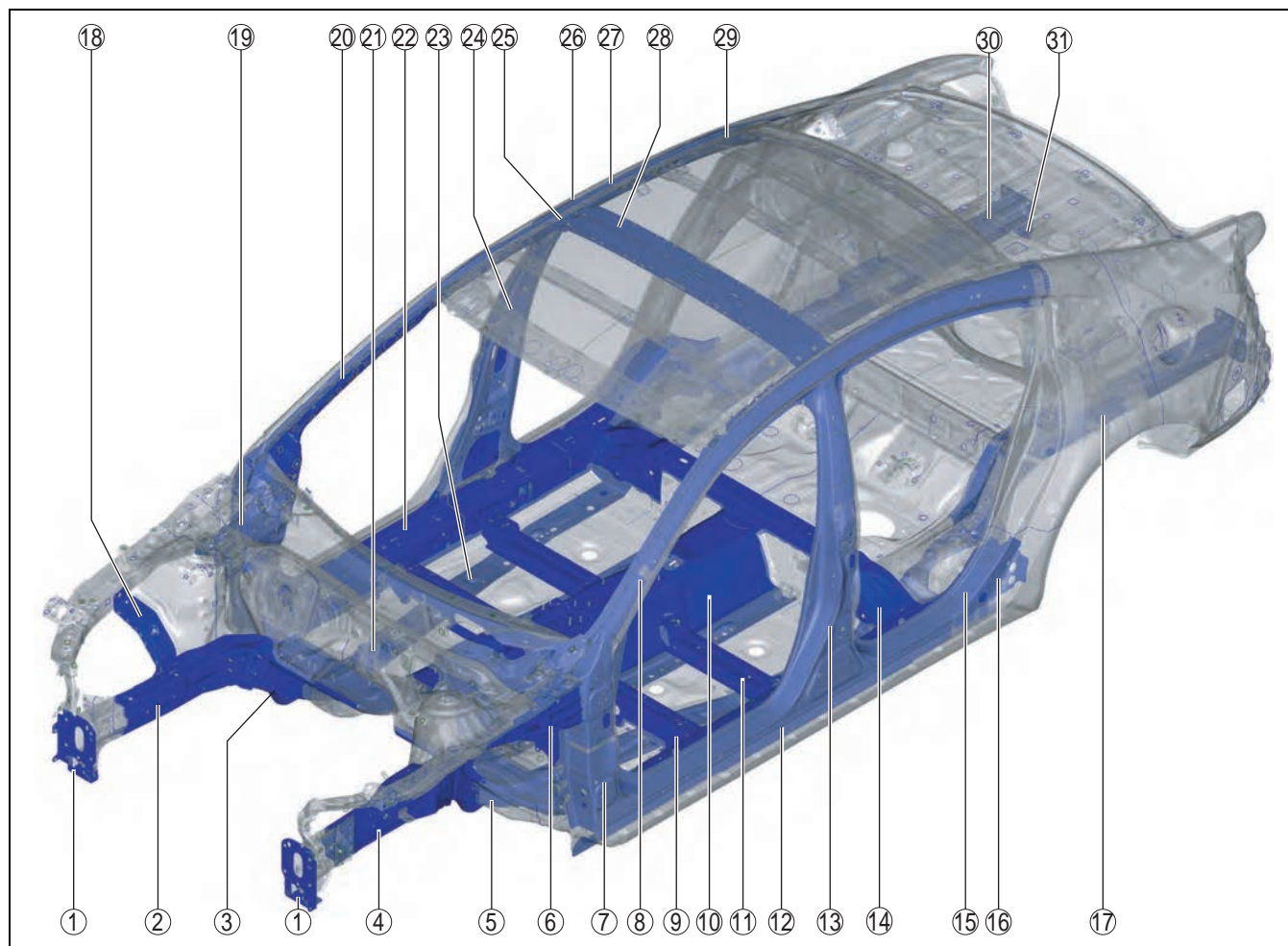
### Characteristics of Ultra High-Tensile Steel Plates

- Ultra high-tensile steel plates have enhanced tensile strength compared to previous high-tensile steel plates.
- Because the strength is maintained even though the plates are thin-walled, the ultra high-tensile steel plates are used for the frames and the main frame parts which form the cabin, reducing the weight of the vehicle.
- Enhanced shock absorption has improved the safety.

### Range of Use and Cautions for Service

- Because the ultra high-tensile steel is hard and it may be difficult to reform, when extracting the damaged part using a frame repair machine, perform the work verifying that other parts are not affected.
- When drilling welded parts, use a well-ground drill bit.
- After welding, inspect the weld strength. If adhesion is poor, perform arc welding (plug welding).

09-80A



aatjib00000297

NO.	Part Name	Strength (MPa) {kgf/cm <sup>2</sup> , psi}
1	Bumper bracket	590 {6016, 85572}
2	Front side frame (inner, rear)	590 {6016, 85572}
3	Front frame (rear)	590 {6016, 85572}
4	Front side frame (outer, rear)	590 {6016, 85572}
5	Front frame (rear) reinforcement	590 {6016, 85572}
6	Cowl side reinforcement (lower, rear)	590 {6016, 85572}
7	Hinge reinforcement	590 {6016, 85572}
8	Front pillar reinforcement	590 {6016, 85572}
9	Crossmember No.2	590 {6016, 85572}
10	Tunnel reinforcement	590 {6016, 85572}
11	Crossmember No.2.5	780 {7954, 113130}
12	Side sill reinforcement	780 {7954, 113130}

## BODY STRUCTURE [CONSTRUCTION]

NO.	Part Name	Strength (MPa) {kgf/cm <sup>2</sup> , psi}	
13	Center pillar reinforcement	Upper	780 {7954, 113130}
		Lower	590 {6016, 85572}
14	Crossmember No.3 (lower)	Center, upper	590 {6016, 85572}
		Side, upper	590 {6016, 85572}
15	Side sill reinforcement (rear)	590 {6016, 85572}	
16	Tower anchor reinforcement	590 {6016, 85572}	
17	Rear side frame	Front	590 {6016, 85572}
		Center	590 {6016, 85572}
		Rear	590 {6016, 85572}
18	Apron reinforcement No.3	590 {6016, 85572}	
19	Hinge pillar (inner)	590 {6016, 85572}	
20	Front pillar (inner)	590 {6016, 85572}	
21	Floor reinforcement (front)	780 {7954, 113130}	
22	Side sill (inner)	Center	780 {7954, 113130}
		Rear	590 {6016, 85572}
23	Front B frame	590 {6016, 85572}	
24	Center pillar reinforcement (inner)	980 {9993, 142137}	
25	Roof corner gusset	590 {6016, 85572}	
26	Roof rail reinforcement	780 {7954, 113130}	
27	Roof rail (inner)	590 {6016, 85572}	
28	Roof rail reinforcement No.2	590 {6016, 85572}	
29	C pillar reinforcement (upper)	780 {7954, 113130}	
30	Floor side panel No.1	Front	590 {6016, 85572}
		Rear, lower	780 {7954, 113130}
31	Rear bumper bracket	590 {6016, 85572}	

**09-80B BODY STRUCTURE [PANEL REPLACEMENT]**

<b>BUMPER BRACKET REMOVAL</b>			
<b>[PANEL REPLACEMENT]</b> .....	09-80B-3		
Symbol Mark .....	09-80B-3		
Removal Procedure .....	09-80B-3		
<b>BUMPER BRACKET INSTALLATION</b>			
<b>[PANEL REPLACEMENT]</b> .....	09-80B-5		
Symbol Mark .....	09-80B-5		
Installation Procedure .....	09-80B-5		
<b>SHROUD SIDE MEMBER REMOVAL</b>			
<b>[PANEL REPLACEMENT]</b> .....	09-80B-6		
Symbol Mark .....	09-80B-6		
Removal Procedure .....	09-80B-6		
<b>SHROUD SIDE MEMBER INSTALLATION</b>			
<b>[PANEL REPLACEMENT]</b> .....	09-80B-7		
Symbol Mark .....	09-80B-7		
Installation Procedure .....	09-80B-7		
<b>SHROUD UPPER REINFORCEMENT REMOVAL</b>			
<b>[PANEL REPLACEMENT]</b> .....	09-80B-8		
Symbol Mark .....	09-80B-8		
Removal Procedure .....	09-80B-8		
<b>SHROUD UPPER REINFORCEMENT INSTALLATION</b>			
<b>[PANEL REPLACEMENT]</b> .....	09-80B-9		
Symbol Mark .....	09-80B-9		
Installation Procedure .....	09-80B-9		
<b>COWL SIDE REINFORCEMENT REMOVAL</b>			
<b>[PANEL REPLACEMENT]</b> .....	09-80B-10		
Symbol Mark .....	09-80B-10		
Removal Procedure .....	09-80B-10		
<b>COWL SIDE REINFORCEMENT INSTALLATION</b>			
<b>[PANEL REPLACEMENT]</b> .....	09-80B-11		
Symbol Mark .....	09-80B-11		
Installation Procedure .....	09-80B-11		
<b>WIPER BRACKET REMOVAL</b>			
<b>[PANEL REPLACEMENT]</b> .....	09-80B-12		
Symbol Mark .....	09-80B-12		
Removal Procedure .....	09-80B-12		
<b>WIPER BRACKET INSTALLATION</b>			
<b>[PANEL REPLACEMENT]</b> .....	09-80B-13		
Symbol Mark .....	09-80B-13		
Installation Procedure .....	09-80B-13		
<b>WHEEL APRON COMPONENT REMOVAL</b>			
<b>[PANEL REPLACEMENT]</b> .....	09-80B-14		
Symbol Mark .....	09-80B-14		
Removal Procedure .....	09-80B-14		
<b>WHEEL APRON COMPONENT INSTALLATION</b>			
<b>[PANEL REPLACEMENT]</b> .....	09-80B-16		
Symbol Mark .....	09-80B-16		
Installation Procedure .....	09-80B-16		
<b>FRONT FENDER JUNCTION REMOVAL</b>			
<b>[PANEL REPLACEMENT]</b> .....	09-80B-18		
Symbol Mark .....	09-80B-18		
Removal Procedure .....	09-80B-18		
<b>FRONT FENDER JUNCTION INSTALLATION</b>			
<b>[PANEL REPLACEMENT]</b> .....	09-80B-19		
Symbol Mark .....	09-80B-19		
Installation Procedure .....	09-80B-19		
<b>FRONT SIDE FRAME REMOVAL</b>			
<b>[PANEL REPLACEMENT]</b> .....	09-80B-20		
Symbol Mark .....	09-80B-20		
Removal Procedure .....	09-80B-20		
<b>FRONT SIDE FRAME INSTALLATION</b>			
<b>[PANEL REPLACEMENT]</b> .....	09-80B-21		
Symbol Mark .....	09-80B-21		
Installation Procedure .....	09-80B-21		
<b>FRONT SIDE FRAME (PARTIAL CUTTING) REMOVAL</b>			
<b>[PANEL REPLACEMENT]</b> .....	09-80B-22		
Symbol Mark .....	09-80B-22		
Removal Procedure .....	09-80B-22		
<b>FRONT SIDE FRAME (PARTIAL CUTTING) INSTALLATION</b>			
<b>[PANEL REPLACEMENT]</b> .....	09-80B-24		
Symbol Mark .....	09-80B-24		
Installation Procedure .....	09-80B-24		
<b>COWL UPPER PLATE REMOVAL</b>			
<b>[PANEL REPLACEMENT]</b> .....	09-80B-30		
Symbol Mark .....	09-80B-30		
Removal Procedure .....	09-80B-30		
<b>COWL UPPER PLATE INSTALLATION</b>			
<b>[PANEL REPLACEMENT]</b> .....	09-80B-31		
Symbol Mark .....	09-80B-31		
Installation Procedure .....	09-80B-31		
<b>TORQUE BOX REMOVAL</b>			
<b>[PANEL REPLACEMENT]</b> .....	09-80B-32		
Symbol Mark .....	09-80B-32		
Removal Procedure .....	09-80B-32		
<b>TORQUE BOX INSTALLATION</b>			
<b>[PANEL REPLACEMENT]</b> .....	09-80B-34		
Symbol Mark .....	09-80B-34		
Installation Procedure .....	09-80B-34		
<b>SIDE MEMBER REMOVAL</b>			
<b>[PANEL REPLACEMENT]</b> .....	09-80B-36		
Symbol Mark .....	09-80B-36		
Removal Procedure .....	09-80B-36		
<b>SIDE MEMBER INSTALLATION</b>			
<b>[PANEL REPLACEMENT]</b> .....	09-80B-37		
Symbol Mark .....	09-80B-37		
Installation Procedure .....	09-80B-37		
<b>FRONT FRAME (REAR) REMOVAL</b>			
<b>[PANEL REPLACEMENT]</b> .....	09-80B-38		
Symbol Mark .....	09-80B-38		
Removal Procedure .....	09-80B-38		
<b>FRONT FRAME (REAR) INSTALLATION</b>			
<b>[PANEL REPLACEMENT]</b> .....	09-80B-39		
Symbol Mark .....	09-80B-39		
Installation Procedure .....	09-80B-39		
<b>FRONT PILLAR REMOVAL</b>			
<b>[PANEL REPLACEMENT]</b> .....	09-80B-40		
Symbol Mark .....	09-80B-40		
Removal Procedure .....	09-80B-40		
<b>FRONT PILLAR INSTALLATION</b>			
<b>[PANEL REPLACEMENT]</b> .....	09-80B-44		
Symbol Mark .....	09-80B-44		
Installation Procedure .....	09-80B-44		
<b>CENTER PILLAR REMOVAL</b>			
<b>[PANEL REPLACEMENT]</b> .....	09-80B-47		
Symbol Mark .....	09-80B-47		

**09-80B**

## BODY STRUCTURE [PANEL REPLACEMENT]

---

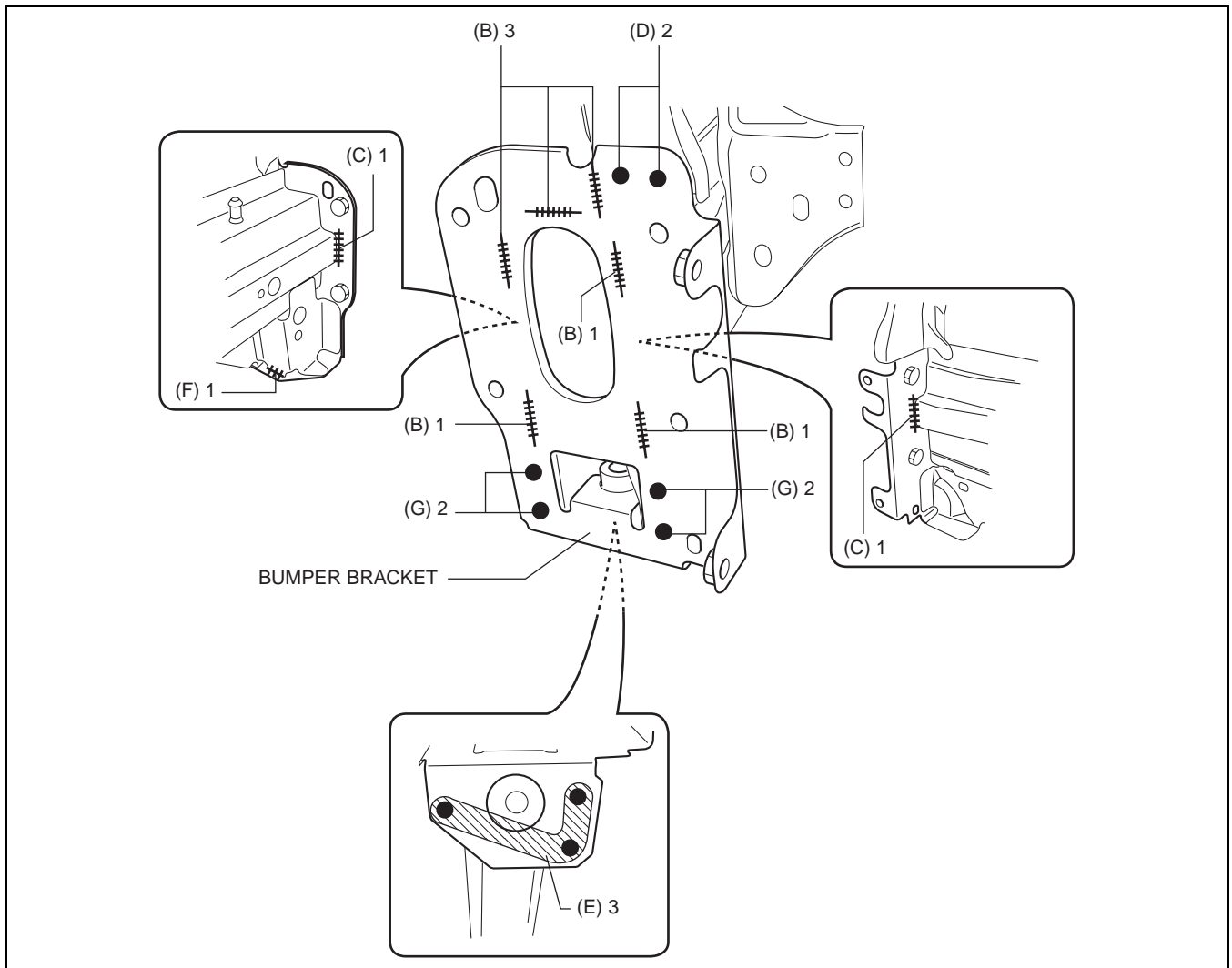
Removal Procedure . . . . .	09-80B-47
<b>CENTER PILLAR INSTALLATION</b>	
<b>[PANEL REPLACEMENT]</b> . . . . .	09-80B-52
Symbol Mark . . . . .	09-80B-52
Installation Procedure . . . . .	09-80B-52
<b>SIDE SILL PANEL REMOVAL</b>	
<b>[PANEL REPLACEMENT]</b> . . . . .	09-80B-55
Symbol Mark . . . . .	09-80B-55
Removal Procedure . . . . .	09-80B-55
<b>SIDE SILL PANEL INSTALLATION</b>	
<b>[PANEL REPLACEMENT]</b> . . . . .	09-80B-58
Symbol Mark . . . . .	09-80B-58
Installation Procedure . . . . .	09-80B-58
<b>REAR FENDER PANEL REMOVAL</b>	
<b>[PANEL REPLACEMENT]</b> . . . . .	09-80B-61
Symbol Mark . . . . .	09-80B-61
Removal Procedure . . . . .	09-80B-61
<b>REAR FENDER PANEL INSTALLATION</b>	
<b>[PANEL REPLACEMENT]</b> . . . . .	09-80B-64
Symbol Mark . . . . .	09-80B-64
Installation Procedure . . . . .	09-80B-64
<b>REAR FENDER PANEL</b>	
<b>(LOWER) REMOVAL</b>	
<b>[PANEL REPLACEMENT]</b> . . . . .	09-80B-67
Symbol Mark . . . . .	09-80B-67
Removal Procedure . . . . .	09-80B-67
<b>REAR FENDER PANEL</b>	
<b>(LOWER) INSTALLATION</b>	
<b>[PANEL REPLACEMENT]</b> . . . . .	09-80B-68
Symbol Mark . . . . .	09-80B-68
Installation Procedure . . . . .	09-80B-68
<b>CORNER PLATE REMOVAL</b>	
<b>[PANEL REPLACEMENT]</b> . . . . .	09-80B-69
Symbol Mark . . . . .	09-80B-69
Removal Procedure . . . . .	09-80B-69
<b>CORNER PLATE INSTALLATION</b>	
<b>[PANEL REPLACEMENT]</b> . . . . .	09-80B-70
Symbol Mark . . . . .	09-80B-70
Installation Procedure . . . . .	09-80B-70
<b>REAR FENDER RAIN RAIL REMOVAL</b>	
<b>[PANEL REPLACEMENT]</b> . . . . .	09-80B-71
Symbol Mark . . . . .	09-80B-71
Removal Procedure . . . . .	09-80B-71
<b>REAR FENDER RAIN RAIL</b>	

<b>INSTALLATION</b>	
<b>[PANEL REPLACEMENT]</b> . . . . .	09-80B-72
Symbol Mark . . . . .	09-80B-72
Installation Procedure . . . . .	09-80B-72
<b>REAR END PANEL REMOVAL</b>	
<b>[PANEL REPLACEMENT]</b> . . . . .	09-80B-73
Symbol Mark . . . . .	09-80B-73
Removal Procedure . . . . .	09-80B-73
<b>REAR END PANEL INSTALLATION</b>	
<b>[PANEL REPLACEMENT]</b> . . . . .	09-80B-74
Symbol Mark . . . . .	09-80B-74
Installation Procedure . . . . .	09-80B-74
<b>FLOOR SIDE PANEL REMOVAL</b>	
<b>[PANEL REPLACEMENT]</b> . . . . .	09-80B-75
Symbol Mark . . . . .	09-80B-75
Removal Procedure . . . . .	09-80B-75
<b>FLOOR SIDE PANEL INSTALLATION</b>	
<b>[PANEL REPLACEMENT]</b> . . . . .	09-80B-77
Symbol Mark . . . . .	09-80B-77
Installation Procedure . . . . .	09-80B-77
<b>TRUNK FLOOR PANEL REMOVAL</b>	
<b>[PANEL REPLACEMENT]</b> . . . . .	09-80B-79
Symbol Mark . . . . .	09-80B-79
Removal Procedure . . . . .	09-80B-79
<b>TRUNK FLOOR PANEL INSTALLATION</b>	
<b>[PANEL REPLACEMENT]</b> . . . . .	09-80B-80
Symbol Mark . . . . .	09-80B-80
Installation Procedure . . . . .	09-80B-80
<b>REAR SIDE FRAME REMOVAL</b>	
<b>[PANEL REPLACEMENT]</b> . . . . .	09-80B-82
Symbol Mark . . . . .	09-80B-82
Removal Procedure . . . . .	09-80B-82
<b>REAR SIDE FRAME INSTALLATION</b>	
<b>[PANEL REPLACEMENT]</b> . . . . .	09-80B-84
Symbol Mark . . . . .	09-80B-84
Installation Procedure . . . . .	09-80B-84
<b>ROOF PANEL REMOVAL</b>	
<b>[PANEL REPLACEMENT]</b> . . . . .	09-80B-86
Symbol Mark . . . . .	09-80B-86
Removal Procedure . . . . .	09-80B-86
<b>ROOF PANEL INSTALLATION</b>	
<b>[PANEL REPLACEMENT]</b> . . . . .	09-80B-88
Symbol Mark . . . . .	09-80B-88
Installation Procedure . . . . .	09-80B-88

---



## BODY STRUCTURE [PANEL REPLACEMENT]



am6zzb0000032

3. Grind the 2 locations indicated by (C) shown in the figure.
4. Drill the 2 locations indicated by (D) shown in the figure, then remove the half portion above the bumper bracket.
5. Drill the 3 locations indicated by (E) shown in the figure.
6. Grind the 1 location indicated by (F) shown in the figure.
7. Drill the 4 locations indicated by (G) shown in the figure.
8. Remove the half portion below the bumper bracket.

# BODY STRUCTURE [PANEL REPLACEMENT]

## BUMPER BRACKET INSTALLATION [PANEL REPLACEMENT]

id098008999600

### Symbol Mark

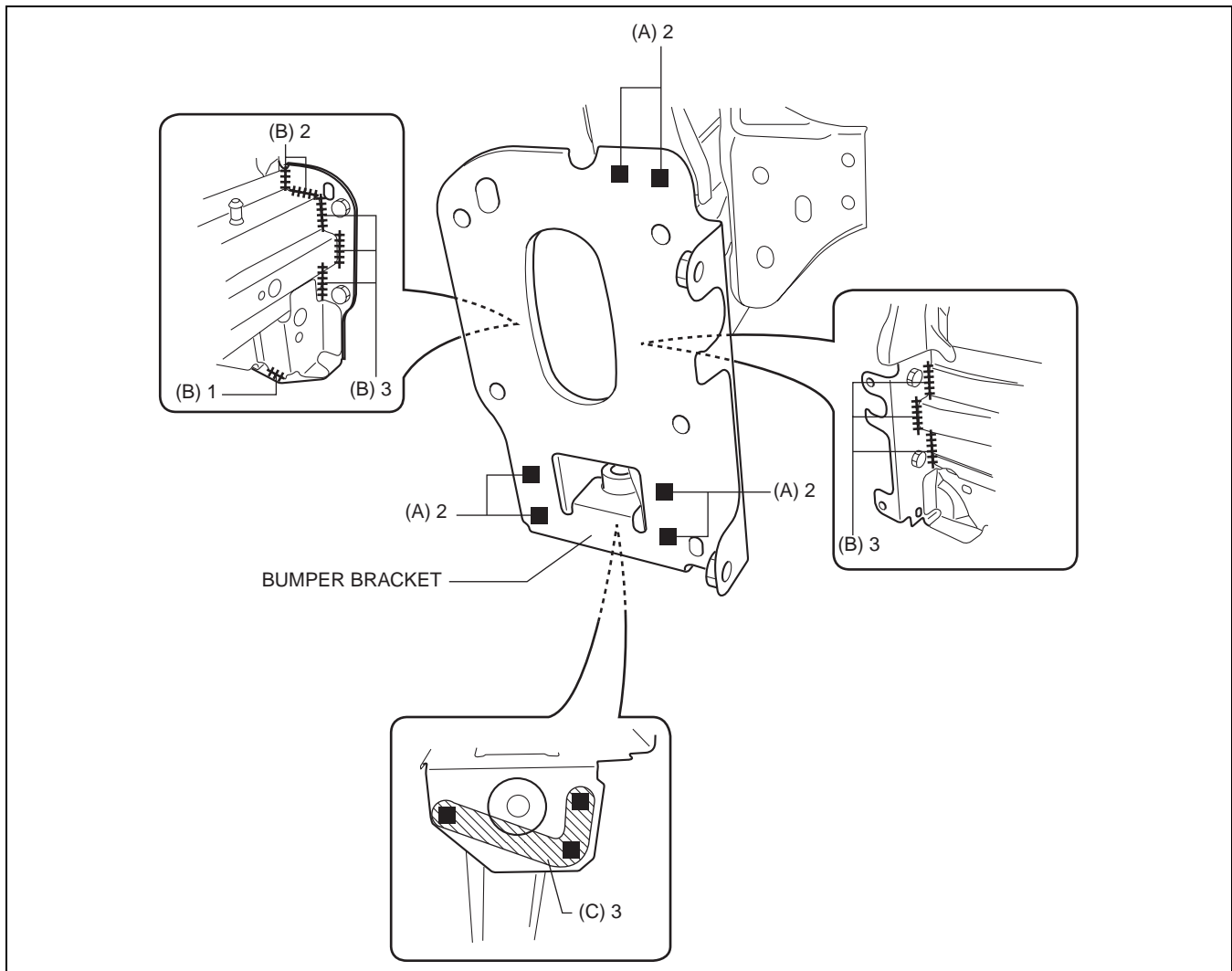
SYMBOL MARK	MEANING
■	PLUG WELDING (ARC WELDING)
—     —	CONTINUOUS ARC WELDING (CUT-AND-JOIN LOCATION)

am6zzb0000032

09-80B

### Installation Procedure

1. When installing new parts, measure and adjust the body as necessary to conform with standard dimensions.
2. Drill holes for the plug welding before installing the new parts.
3. After temporarily installing new parts, make sure the related parts fit properly.
4. Plug weld the 6 locations indicated by (A) shown in the figure.



am6zzb0000032

5. Continuous weld the 9 locations indicated by (B) shown in the figure from the front wheel housing and engine room.

### Note

- A flange part is fixed by a hand vise, and where a welded area is press-fitted, welding is performed so that a clearance does not open in the part welded.

6. Plug weld the 3 locations indicated by (C) shown in the figure, then install the bumper bracket.

# BODY STRUCTURE [PANEL REPLACEMENT]

## SHROUD SIDE MEMBER REMOVAL [PANEL REPLACEMENT]

id098008919000

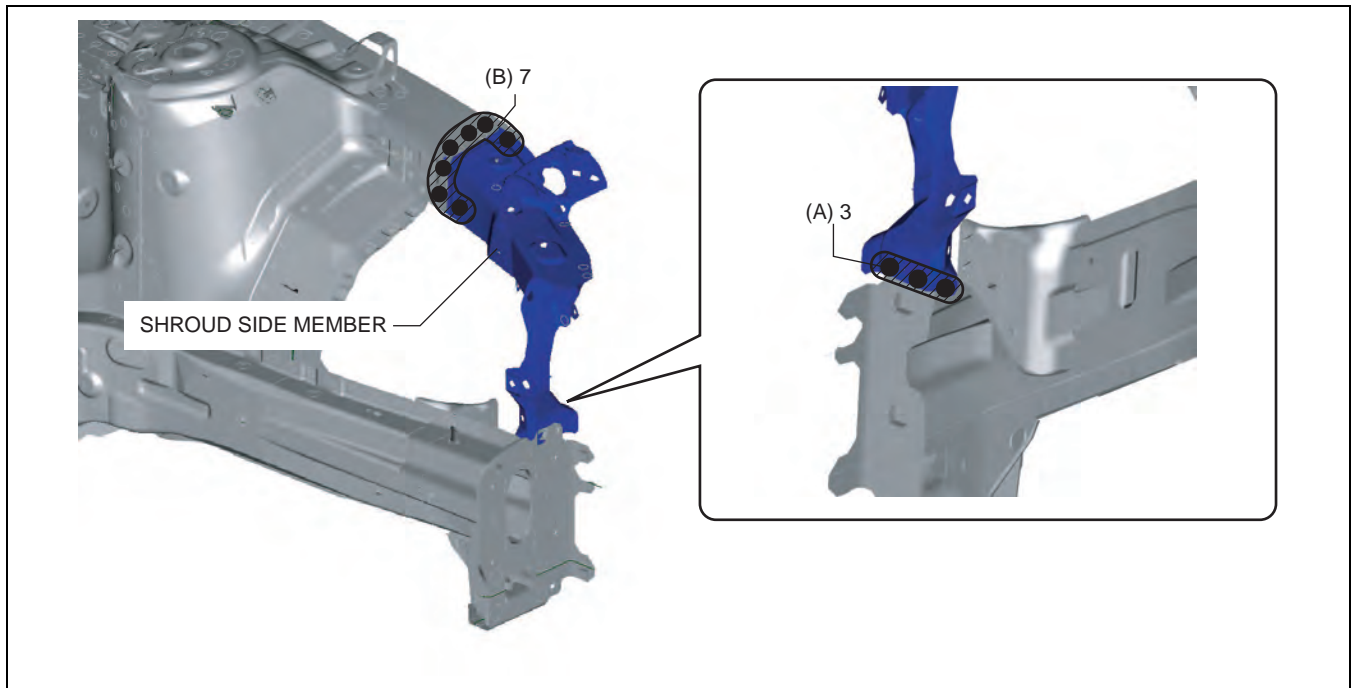
### Symbol Mark

SYMBOL MARK	MEANING
●	SPOT WELDING

am6zzb0000032

### Removal Procedure

1. Drill the 3 locations indicated by (A) shown in the figure.



aatjib00000172

2. Drill the 7 locations indicated by (B) shown in the figure.
3. Remove the shroud side member.

# BODY STRUCTURE [PANEL REPLACEMENT]

## SHROUD SIDE MEMBER INSTALLATION [PANEL REPLACEMENT]

id098008919100

### Symbol Mark

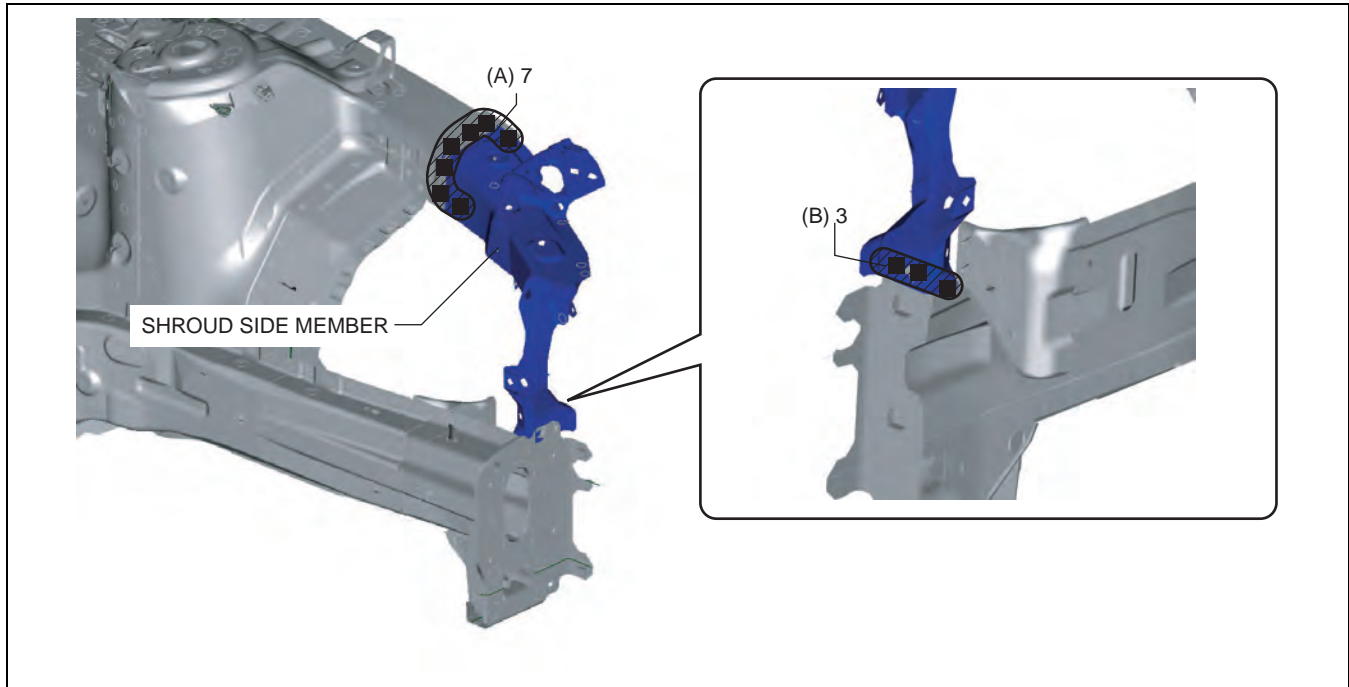
SYMBOL MARK	MEANING
■	PLUG WELDING (ARC WELDING)

am6zzb0000032

### Installation Procedure

09-80B

1. When installing new parts, measure and adjust the body as necessary to conform with standard dimensions.
2. Drill holes for the plug welding before installing the new parts.
3. After temporarily installing new parts, make sure the related parts fit properly.
4. Plug weld the 7 locations indicated by (A) shown in the figure.



aatjbb00000173

5. Plug weld the 3 locations indicated by (B) shown in the figure, then install the shroud side member.

# BODY STRUCTURE [PANEL REPLACEMENT]

## SHROUD UPPER REINFORCEMENT REMOVAL [PANEL REPLACEMENT]

id098008927900

### Symbol Mark

SYMBOL MARK	MEANING
●	SPOT WELDING

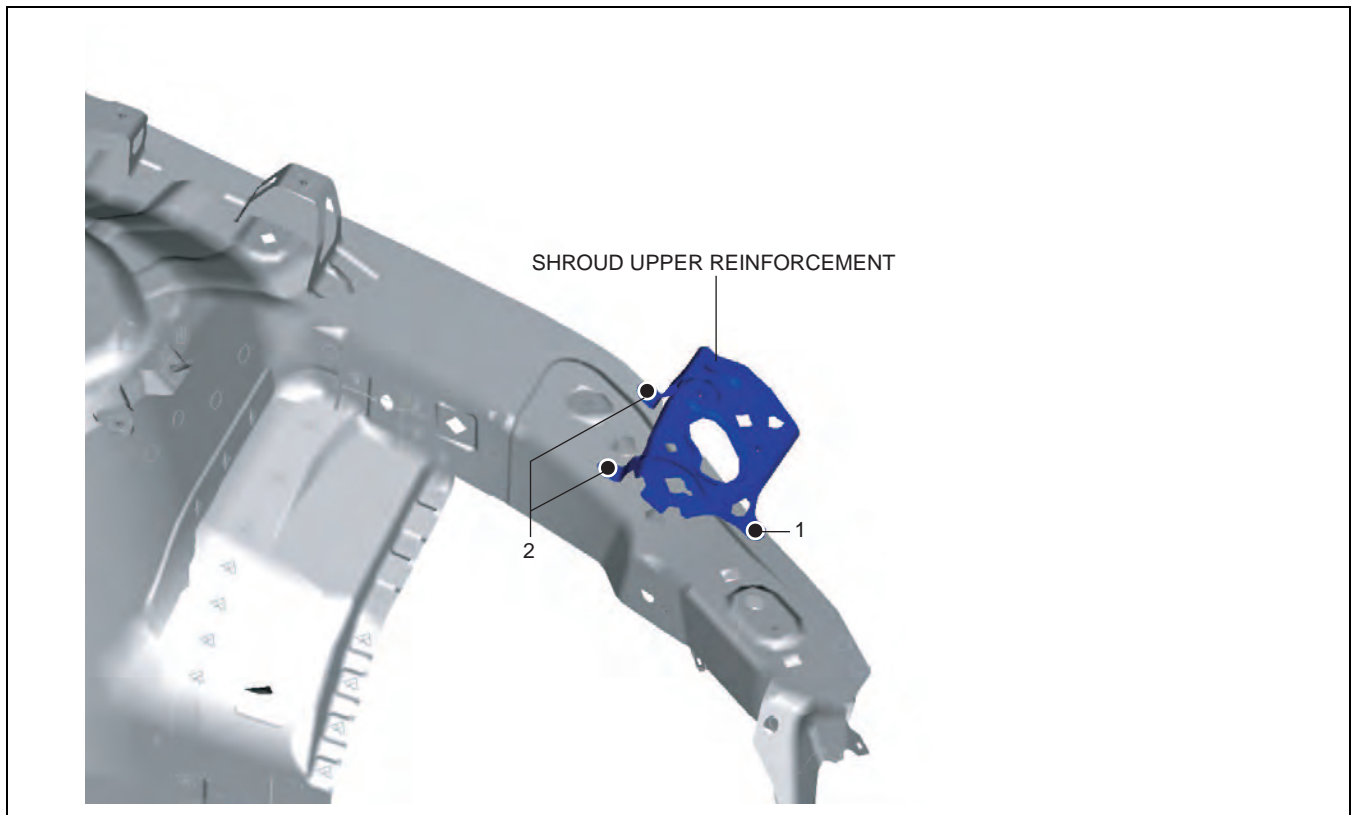
am6zzb0000033

### Removal Procedure

1. Drill the 3 locations shown in the figure.

#### Note

- When drilling the 3 locations shown in the figure, do not drill a hole all the way through or there could be a problem when installing the new part.



am6zzb0000033

2. Remove the shroud upper reinforcement.

# BODY STRUCTURE [PANEL REPLACEMENT]

## SHROUD UPPER REINFORCEMENT INSTALLATION [PANEL REPLACEMENT]

id098008928000

### Symbol Mark

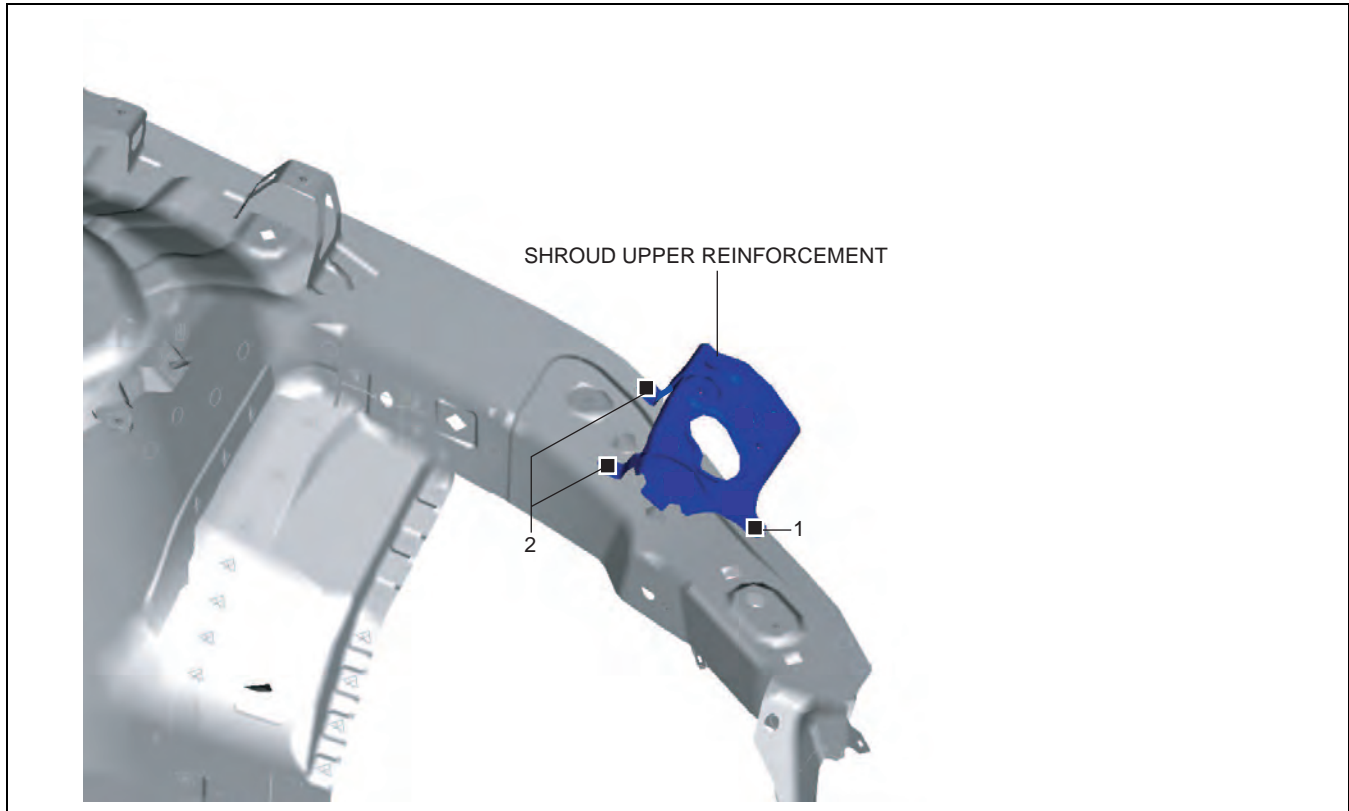
SYMBOL MARK	MEANING
■	PLUG WELDING (CO <sub>2</sub> ARC WELDING)

am6zzb0000033

### Installation Procedure

09-80B

1. When installing new parts, measure and adjust the body as necessary to conform with standard dimensions.
2. Drill holes for the plug welding before installing the new parts.
3. After temporarily installing new parts, make sure the related parts fit properly.
4. Plug weld 3 locations shown in the figure, then install the shroud upper reinforcement.



am6zzb0000033

# BODY STRUCTURE [PANEL REPLACEMENT]

## COWL SIDE REINFORCEMENT REMOVAL [PANEL REPLACEMENT]

id098008741700

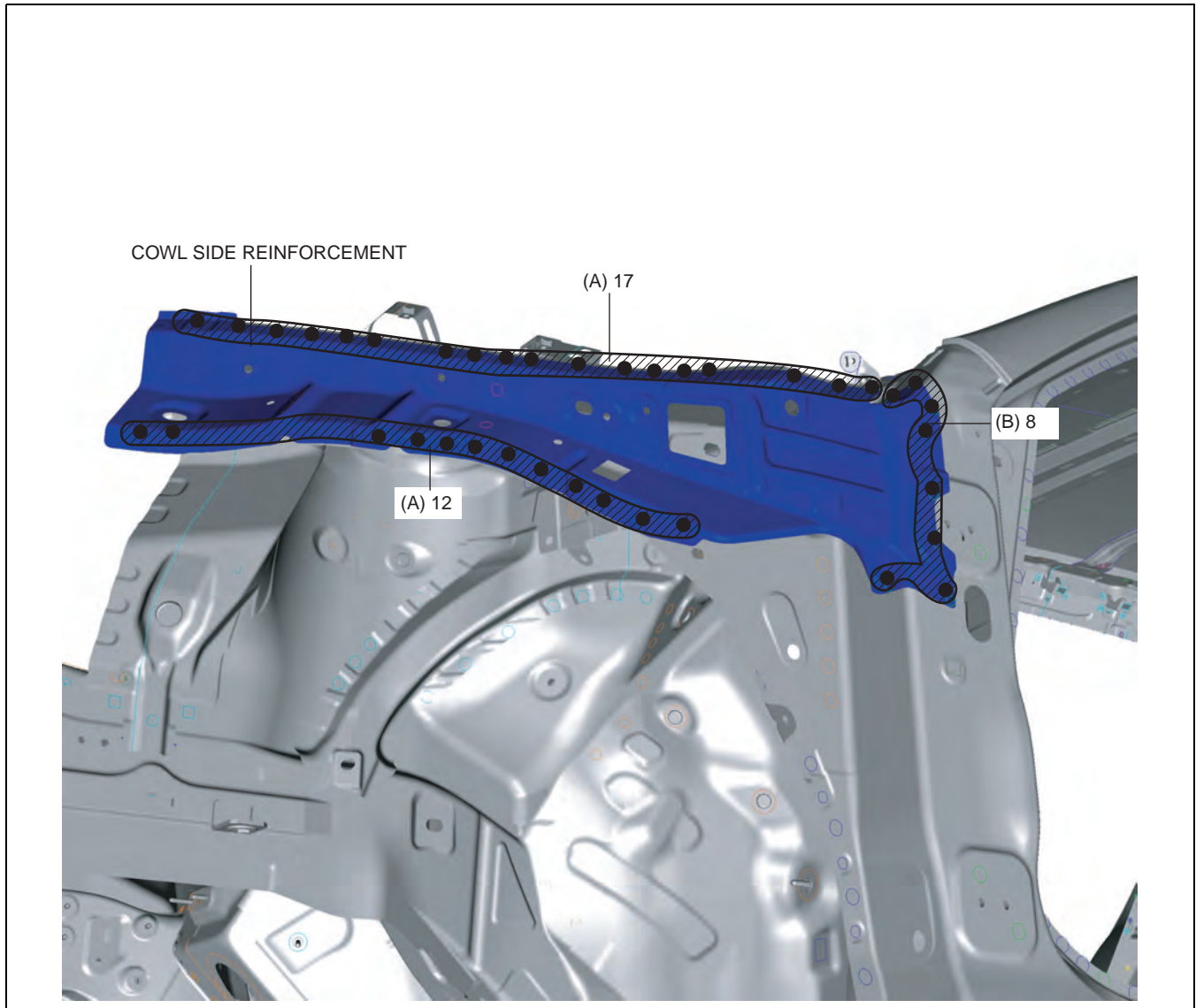
### Symbol Mark

SYMBOL MARK	MEANING
●	SPOT WELDING

am6zzb0000032

### Removal Procedure

1. Drill the 29 locations indicated by (A) shown in the figure.



am6zzb0000033

2. Drill the 8 locations indicated by (B) shown in the figure, then remove the cowl side reinforcement.

# BODY STRUCTURE [PANEL REPLACEMENT]

## COWL SIDE REINFORCEMENT INSTALLATION [PANEL REPLACEMENT]

id098008741800

### Symbol Mark

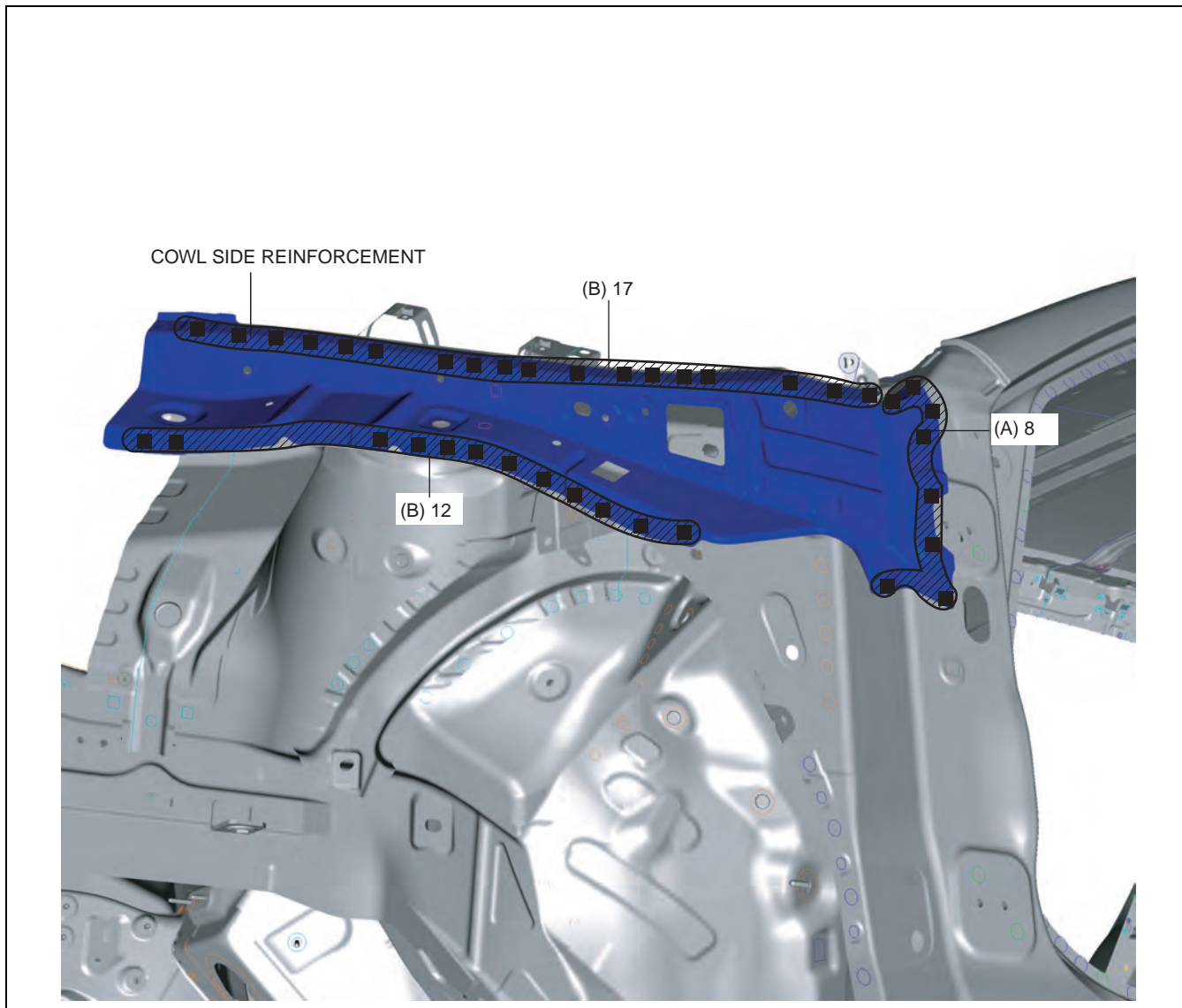
SYMBOL MARK	MEANING
■	PLUG WELDING (CO <sub>2</sub> ARC WELDING)

am6zzb0000033

09-80B

### Installation Procedure

1. When installing new parts, measure and adjust the body as necessary to conform with standard dimensions.
2. Drill holes for the plug welding before installing the new parts.
3. After temporarily installing new parts, make sure the related parts fit properly.
4. Plug weld 8 locations indicated by (A) shown in the figure.



am6zzb0000033

5. Plug weld 29 locations indicated by (B) shown in the figure, then install the cowl side reinforcement.

# BODY STRUCTURE [PANEL REPLACEMENT]

## WIPER BRACKET REMOVAL [PANEL REPLACEMENT]

id098008968800

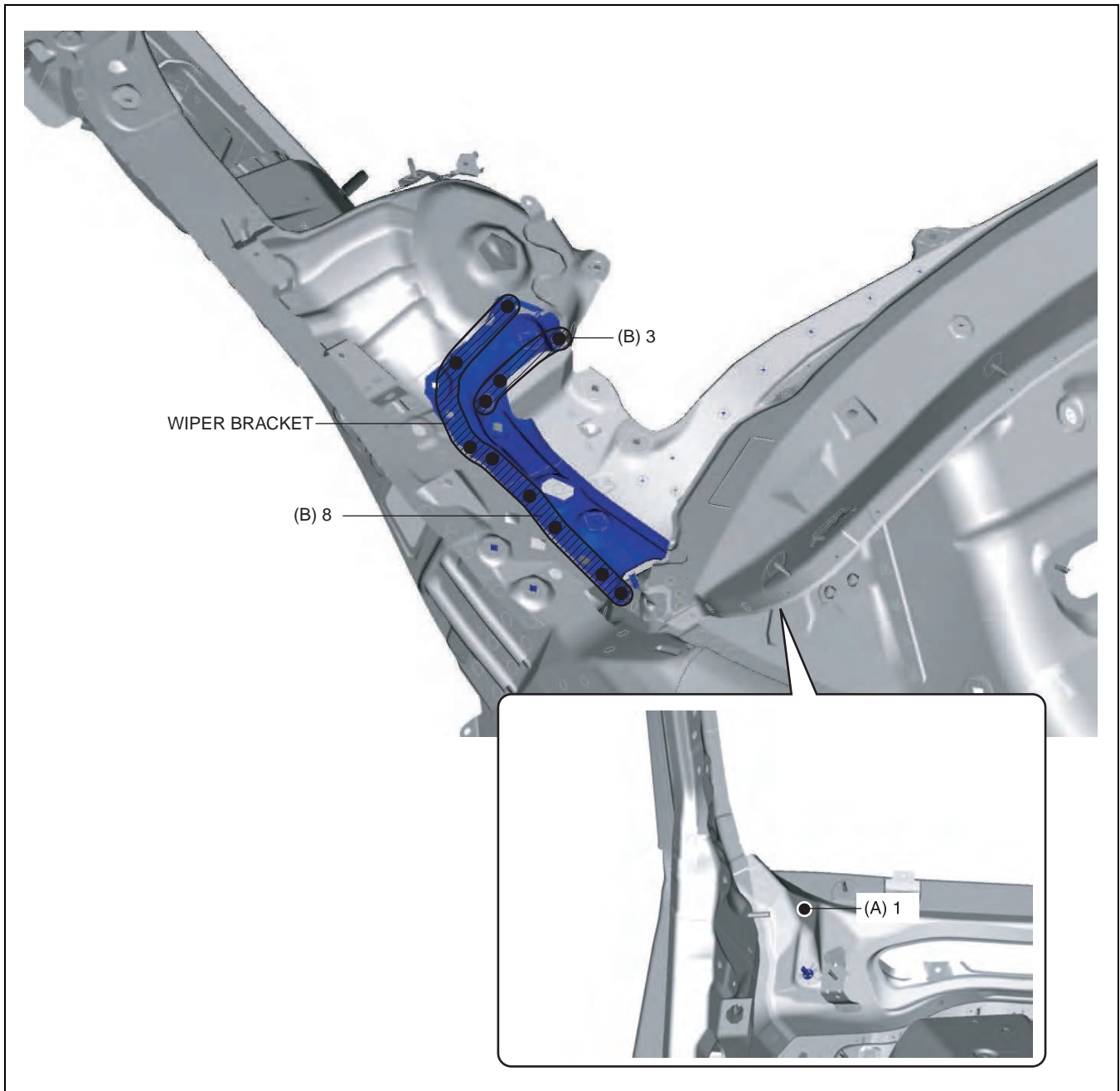
### Symbol Mark

SYMBOL MARK	MEANING
●	SPOT WELDING

am6zzb0000033

### Removal Procedure

1. Drill the 1 location indicated by (A) from the inside shown in the figure.



am6zzb0000033

2. Drill the 11 locations indicated by (B) shown in the figure, then remove the wiper bracket.

# BODY STRUCTURE [PANEL REPLACEMENT]

## WIPER BRACKET INSTALLATION [PANEL REPLACEMENT]

id098008968900

### Symbol Mark

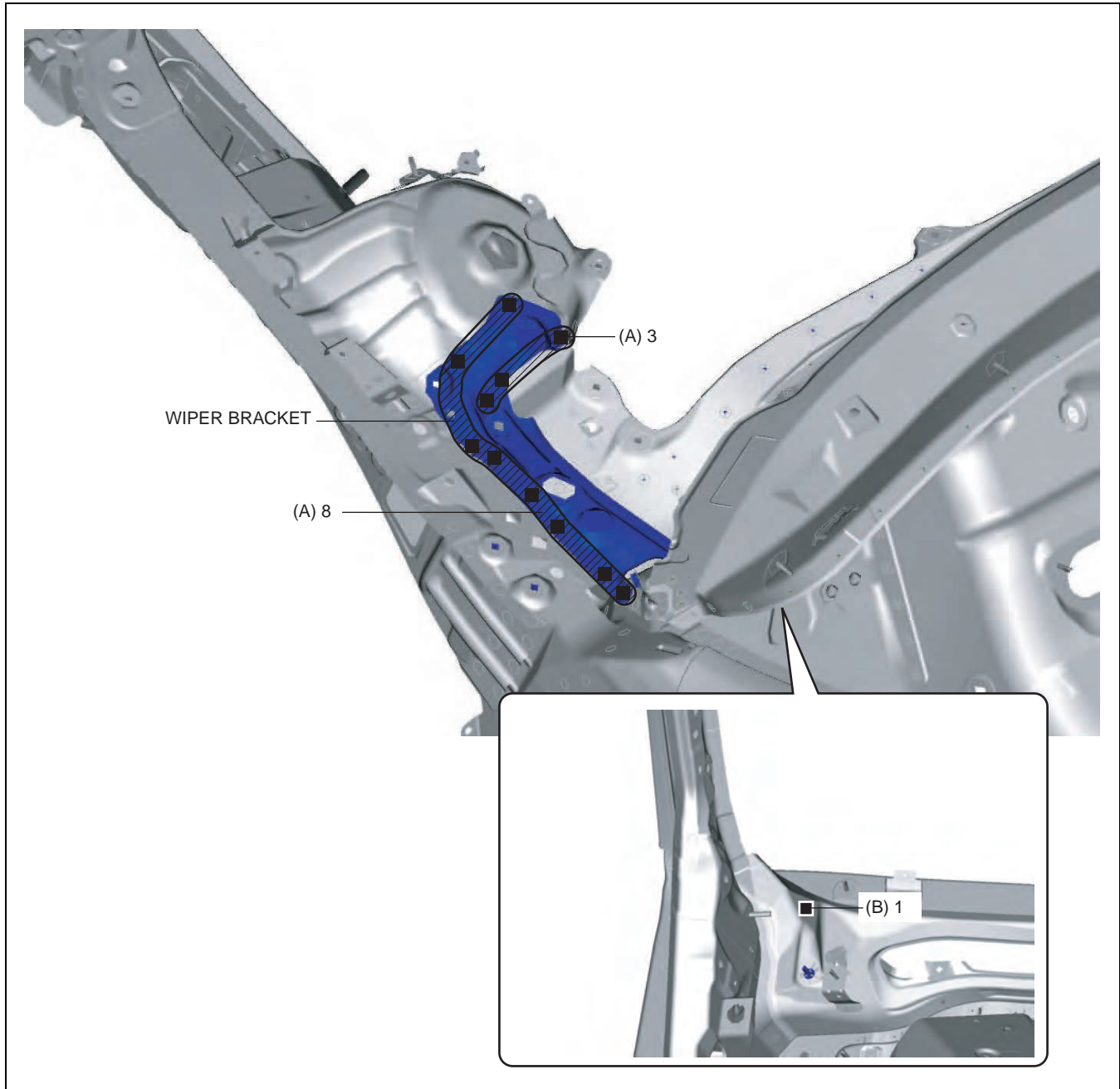
SYMBOL MARK	MEANING
■	PLUG WELDING (CO <sub>2</sub> ARC WELDING)

am6zzb0000033

### Installation Procedure

09-80B

1. When installing new parts, measure and adjust the body as necessary to conform with standard dimensions.
2. Drill holes for the plug welding before installing the new parts.
3. After temporarily installing new parts, make sure the related parts fit properly.
4. Plug weld the 11 locations indicated by (A) shown in the figure.



am6zzb0000034

5. Plug weld the 1 location indicated by (B) from the inside shown in the figure, then install the wiper bracket.

## BODY STRUCTURE [PANEL REPLACEMENT]

### WHEEL APRON COMPONENT REMOVAL [PANEL REPLACEMENT]

id098008746000

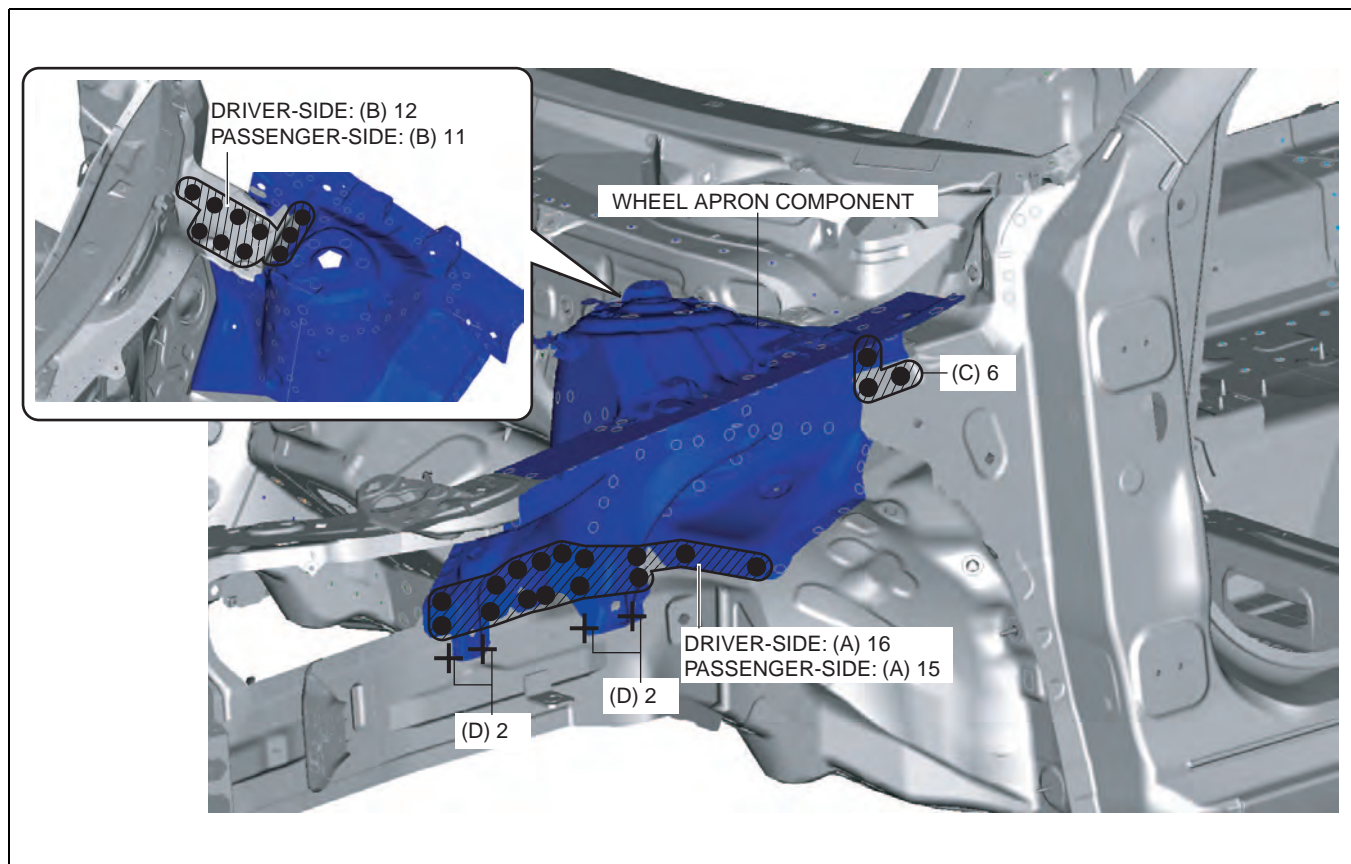
#### Symbol Mark

SYMBOL MARK	MEANING
●	SPOT WELDING
+	ARC WELDING (SPOT WELDING)

am6zzb0000034

#### Removal Procedure

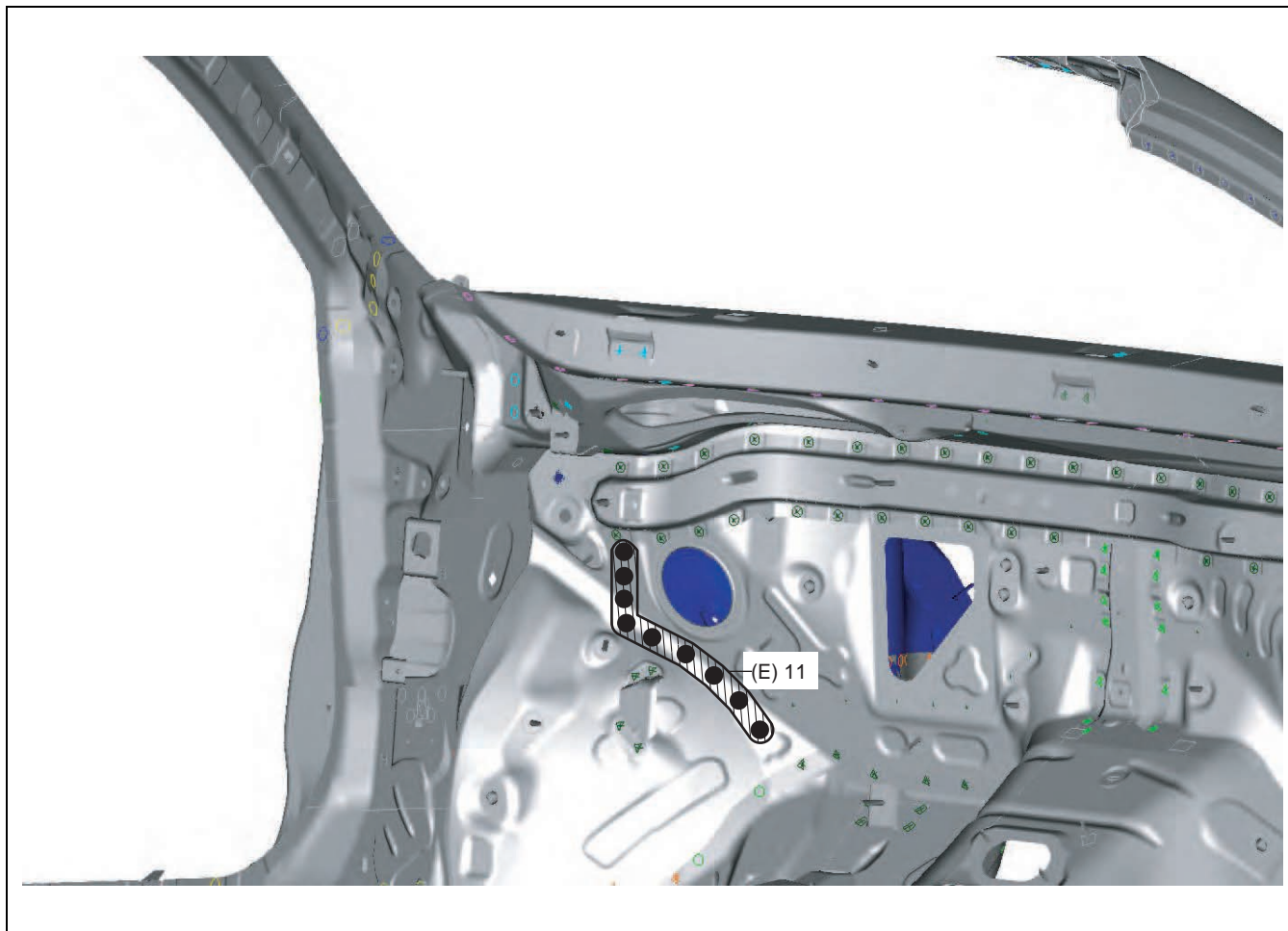
1. Drill the 16 locations (driver-side), 15 locations (passenger-side) indicated by (A) from the wheel housing shown in the figure.



am6zzb0000034

2. Drill the 12 locations (driver-side), 11 locations (passenger-side) indicated by (B) shown in the figure.
3. Drill the 6 locations indicated by (C) shown in the figure.
4. Grind the 4 locations indicated by (D) shown in the figure.
5. Drill the 11 locations indicated by (E) from the inside shown in the figure.

## BODY STRUCTURE [PANEL REPLACEMENT]



09-80B

aatjb00000181

6. Remove the wheel apron component.

## BODY STRUCTURE [PANEL REPLACEMENT]

### WHEEL APRON COMPONENT INSTALLATION [PANEL REPLACEMENT]

id098008746100

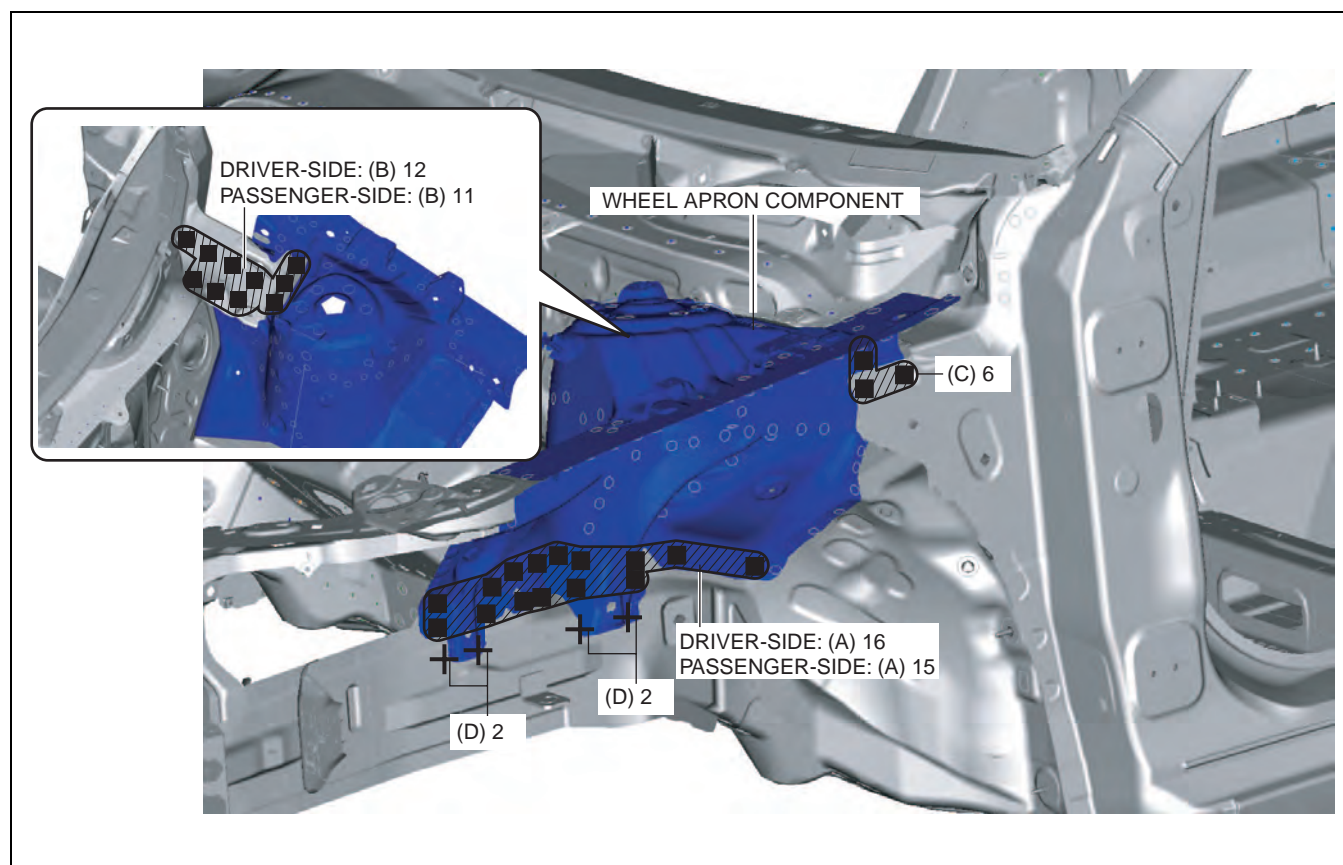
#### Symbol Mark

SYMBOL MARK	MEANING
■	PLUG WELDING (CO <sub>2</sub> ARC WELDING)
+	ARC WELDING (SPOT WELDING)

am6zzb0000034

#### Installation Procedure

1. When installing new parts, measure and adjust the body as necessary to conform with standard dimensions.
2. Drill holes 16 locations (driver-side), 15 locations (passenger-side) indicated by (A) for the plug welding before installing the new parts.
3. After temporarily installing new parts, make sure the related parts fit properly.
4. Plug weld the 16 locations (driver-side), 15 locations (passenger-side) indicated by (A) from the wheel housing shown in the figure.

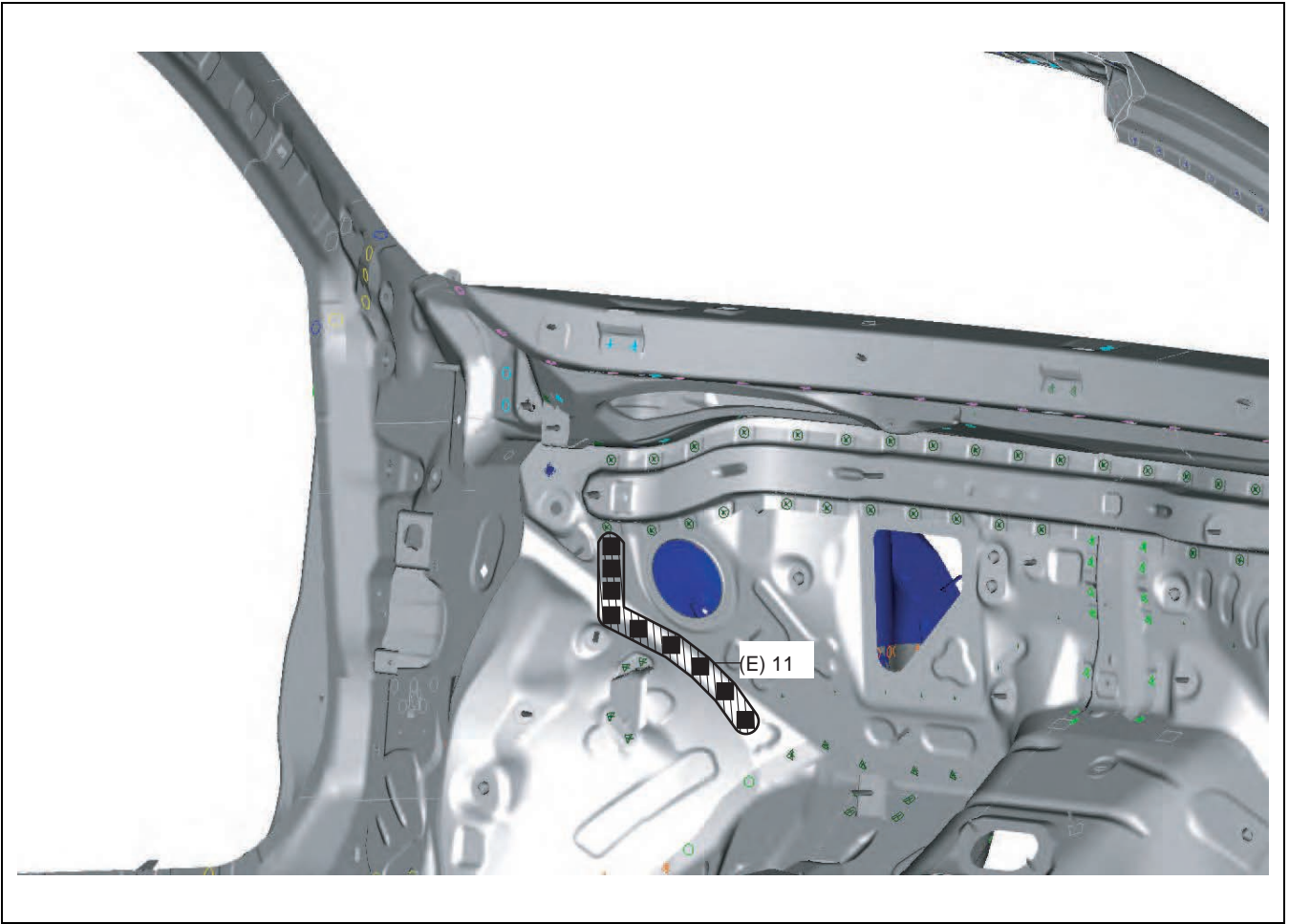


am6zzb0000034

5. Plug weld the 12 locations (driver-side), 11 locations (passenger-side) indicated by (B) shown in the figure.
6. Plug weld the 6 locations indicated by (C) shown in the figure.
7. Arc weld the 4 locations indicated by (D) shown in the figure.
8. Plug weld the 11 locations indicated by (E) from the inside shown in the figure, then install the wheel apron component.

# BODY STRUCTURE [PANEL REPLACEMENT]

09-80B



aatjb00000184

# BODY STRUCTURE [PANEL REPLACEMENT]

## FRONT FENDER JUNCTION REMOVAL [PANEL REPLACEMENT]

id098008828300

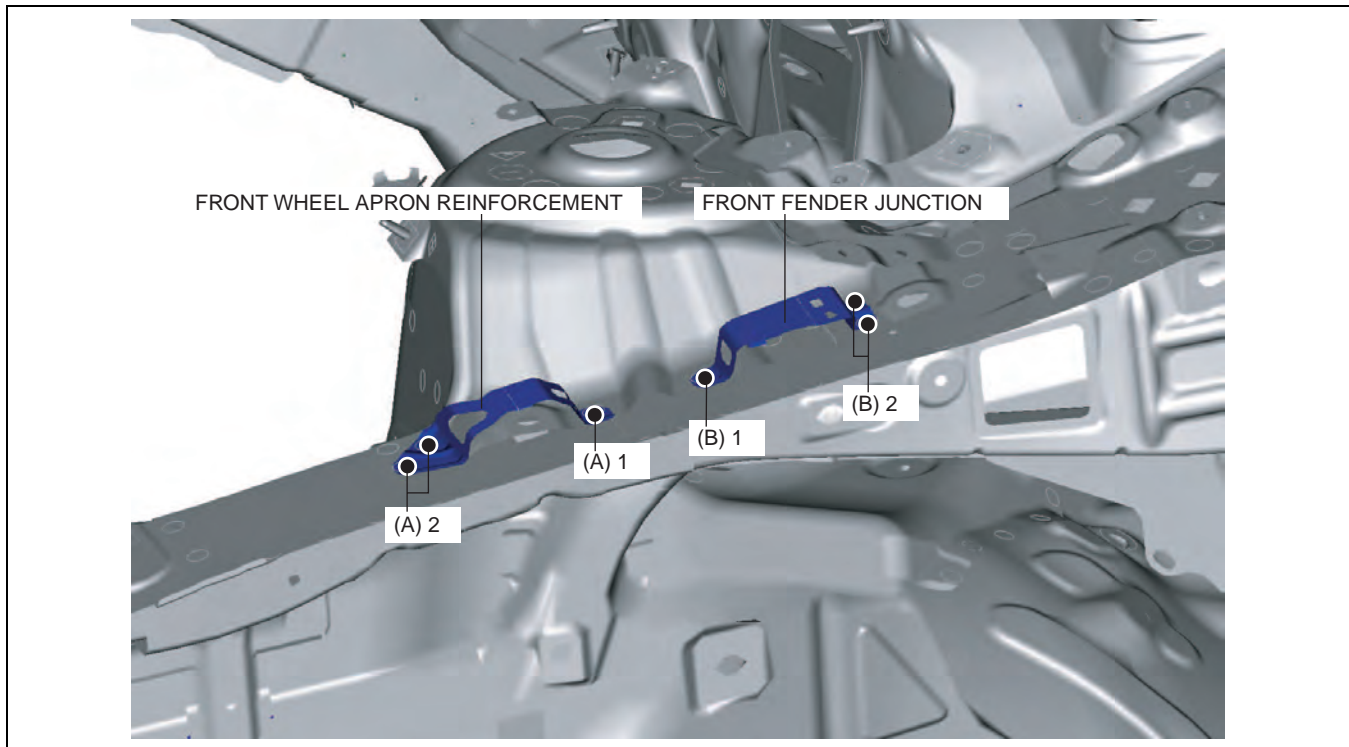
### Symbol Mark

SYMBOL MARK	MEANING
●	SPOT WELDING

am6zzb0000034

### Removal Procedure

1. Drill the 3 locations indicated shown in the figure.



am6zzb0000034

2. Remove the front wheel apron reinforcement.
3. Drill the 3 locations indicated by (B) shown in the figure.
4. Remove the front fender junction.

# BODY STRUCTURE [PANEL REPLACEMENT]

## FRONT FENDER JUNCTION INSTALLATION [PANEL REPLACEMENT]

id098008828400

### Symbol Mark

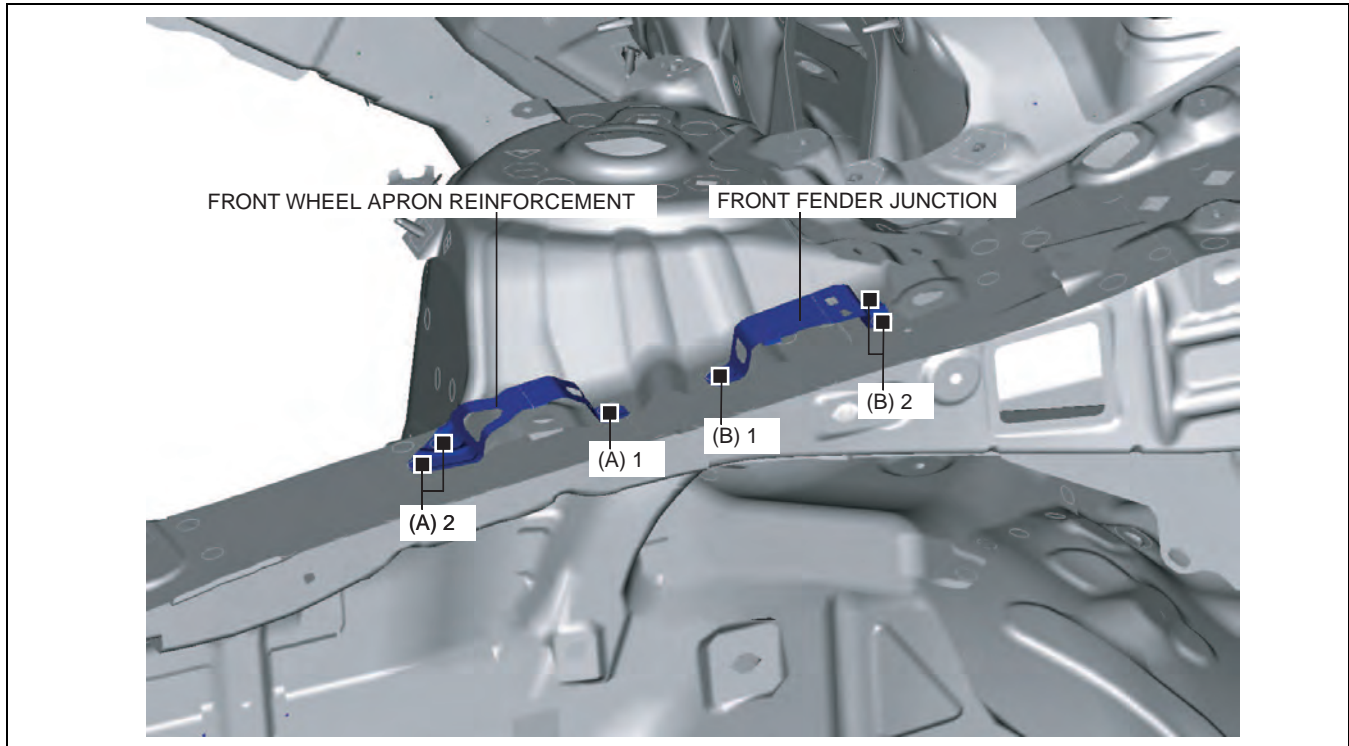
SYMBOL MARK	MEANING
■	PLUG WELDING (CO <sub>2</sub> ARC WELDING)

am6zzb0000034

### Installation Procedure

09-80B

1. When installing new parts, measure and adjust the body as necessary to conform with standard dimensions.
2. Drill holes for the plug welding before installing the new parts.
3. After temporarily installing new parts, make sure the related parts fit properly.
4. Plug weld the 3 locations indicated by (A) shown in the figure, then install the front wheel apron reinforcement.



am6zzb0000034

5. Plug weld the 3 locations indicated by (B) shown in the figure, then install the front fender junction.

# BODY STRUCTURE [PANEL REPLACEMENT]

## FRONT SIDE FRAME REMOVAL [PANEL REPLACEMENT]

id098008605900

### Symbol Mark

SYMBOL MARK	MEANING
●	SPOT WELDING

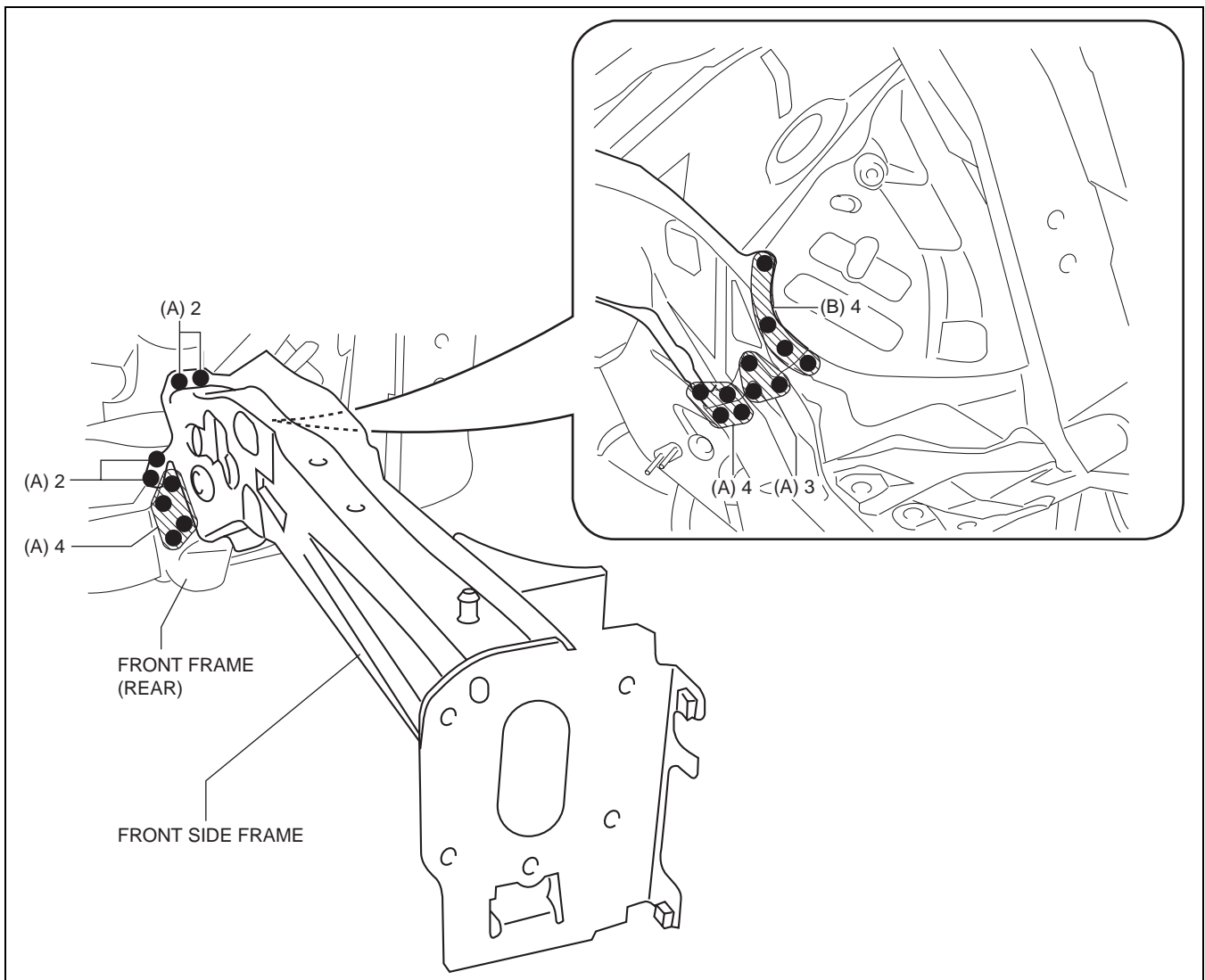
am6zzb0000034

### Removal Procedure

1. Drill the 15 locations indicated by (A) shown in the figure.
2. Drill the 4 locations indicated by (B) shown in the figure.

### Note

- When drilling the 4 locations indicated by (B) shown in the figure, do not drill a hole all the way through or there could be a problem when installing the new part.



am6zzb0000035

3. Remove the front side frame from the front frame (rear).

# BODY STRUCTURE [PANEL REPLACEMENT]

## FRONT SIDE FRAME INSTALLATION [PANEL REPLACEMENT]

id098008606000

### Symbol Mark

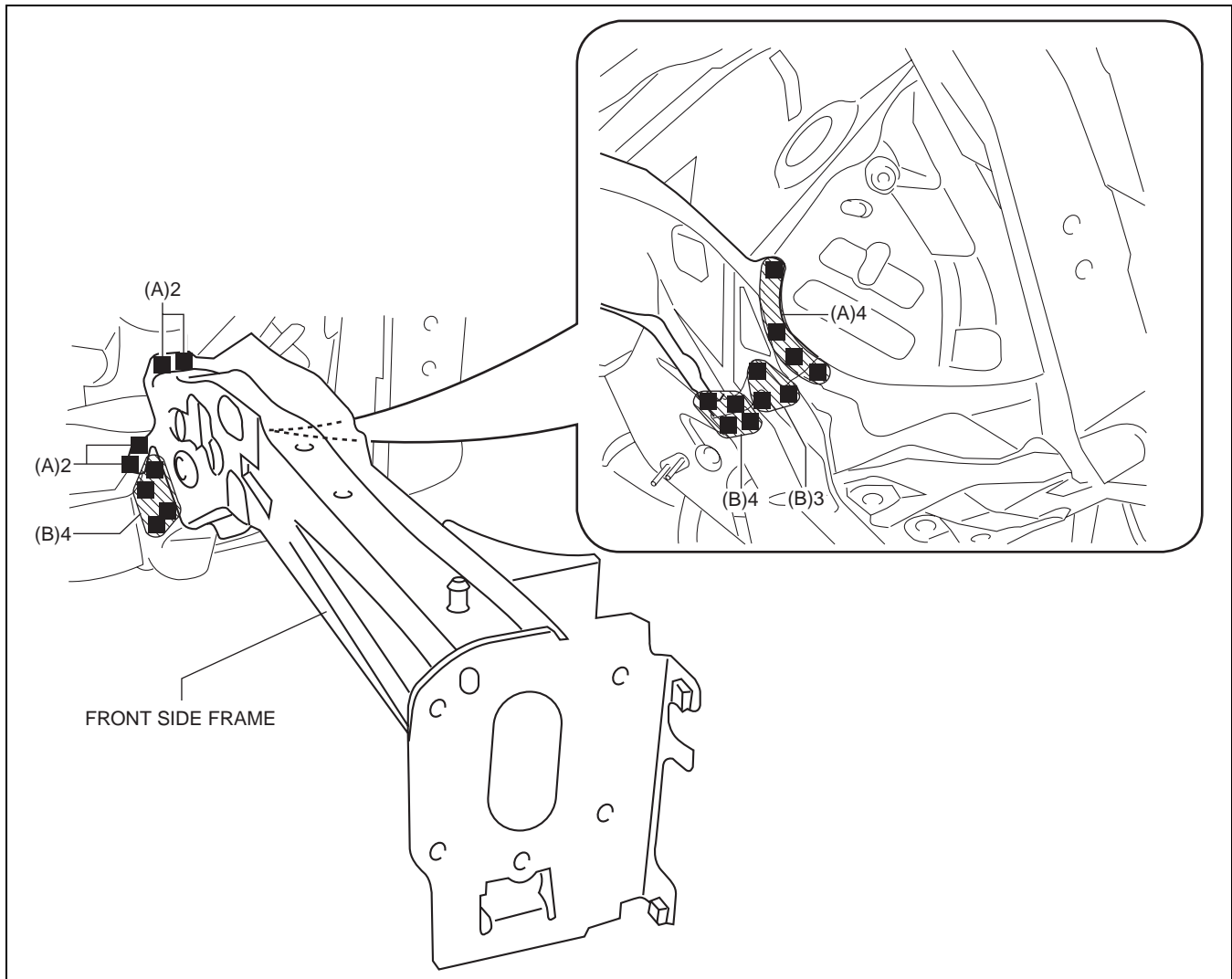
SYMBOL MARK	MEANING
■	PLUG WELDING (CO <sub>2</sub> ARC WELDING)

am6zzb0000035

### Installation Procedure

09-80B

1. When installing new parts, measure and adjust the body as necessary to conform with standard dimensions.
2. Drill holes for the plug welding before installing the new parts.
3. After temporarily installing new parts, make sure the related parts fit properly.
4. Plug weld the 8 locations indicated by (A) shown in the figure.
5. Plug weld the 11 locations indicated by (B) shown in the figure then install the front side frame.



am6zzb0000035

# BODY STRUCTURE [PANEL REPLACEMENT]

## FRONT SIDE FRAME (PARTIAL CUTTING) REMOVAL [PANEL REPLACEMENT]

id098008742100

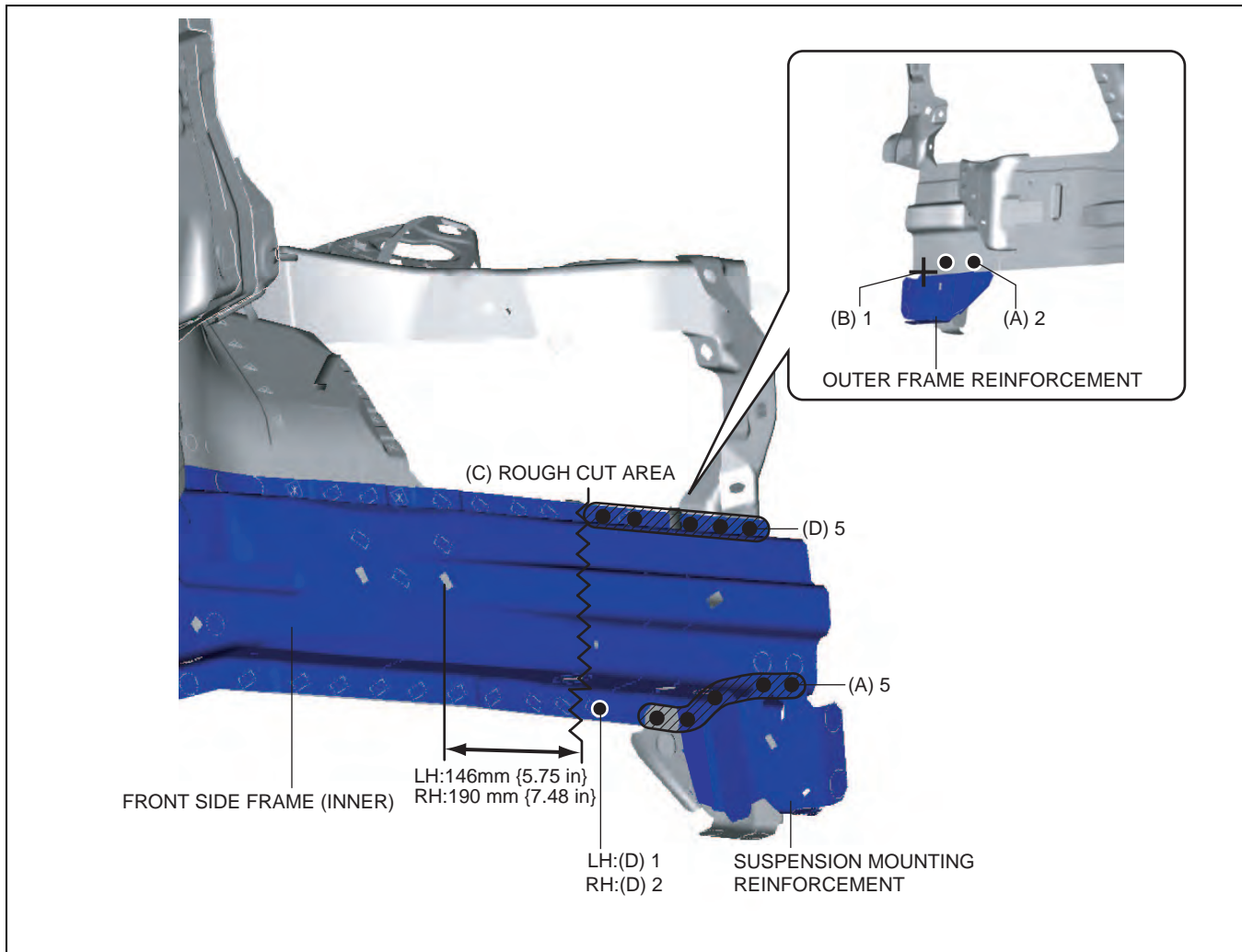
### Symbol Mark

SYMBOL MARK	MEANING
●	SPOT WELDING
~~~~~	ROUGH CUT LOCATION
+	ARC WELDING (SPOT WELDING)

am6zzb0000035

### Removal Procedure

1. Drill the 7 locations indicated by (A) shown in the figure.

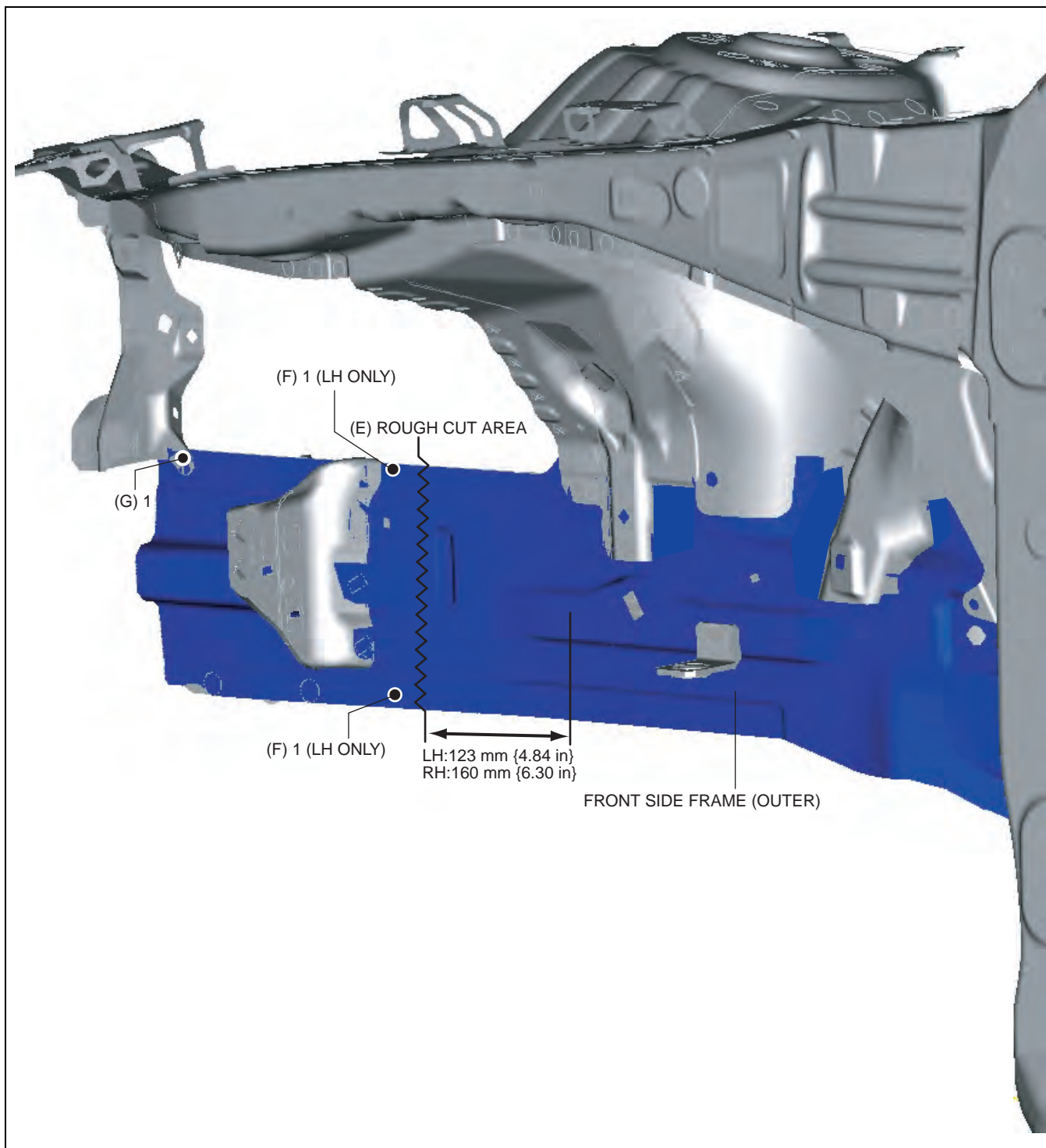


am6zzb0000035

2. Grind the 1 location indicated by (B) shown in the figure, then remove the suspension mounting reinforcement and outer frame reinforcement.
3. Rough cut the location indicated by (C) shown in the figure.
4. Drill the 6 locations (LH), 7 locations (RH) indicated by (D) shown in the figure, then remove the front side frame (inner).
5. Rough cut the location indicated by (E) shown in the figure.

## BODY STRUCTURE [PANEL REPLACEMENT]

09-80B



am6zzb0000035



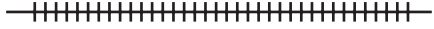

6. Drill the 2 locations indicated by (F) shown in the figure. (LH only)
7. Drill the 1 location indicated by (G) shown in the figure, then remove the front side frame (outer).

# BODY STRUCTURE [PANEL REPLACEMENT]

## FRONT SIDE FRAME (PARTIAL CUTTING) INSTALLATION [PANEL REPLACEMENT]

id098008742200

### Symbol Mark

SYMBOL MARK	MEANING
	PLUG WELDING (CO <sub>2</sub> ARC WELDING)
	ROUGH CUT LOCATION
	CONTINUOUS CO <sub>2</sub> ARC WELDING (CUT-AND-JOIN LOCATION)
	ARC WELDING (SPOT WELDING)

am6zzb0000035

### Installation Procedure

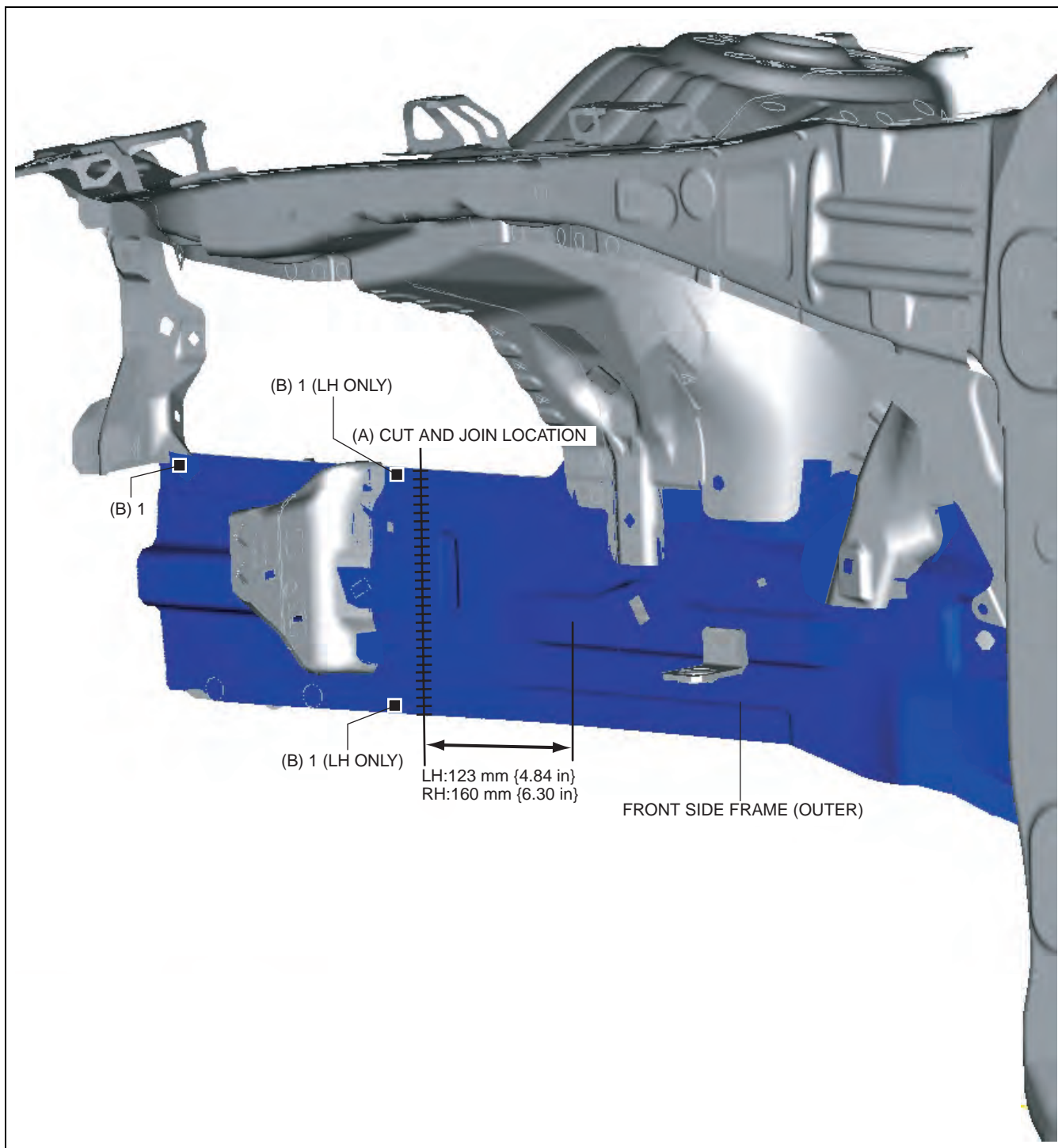
#### Caution

- The cut and joint area indicates the maximum size range of the installation position.

1. When installing new parts, measure and adjust the body as necessary to conform with standard dimensions.
2. Drill holes for the plug welding before installing the new parts.
3. Cut and join location indicated by (A) shown in the figure.

## BODY STRUCTURE [PANEL REPLACEMENT]

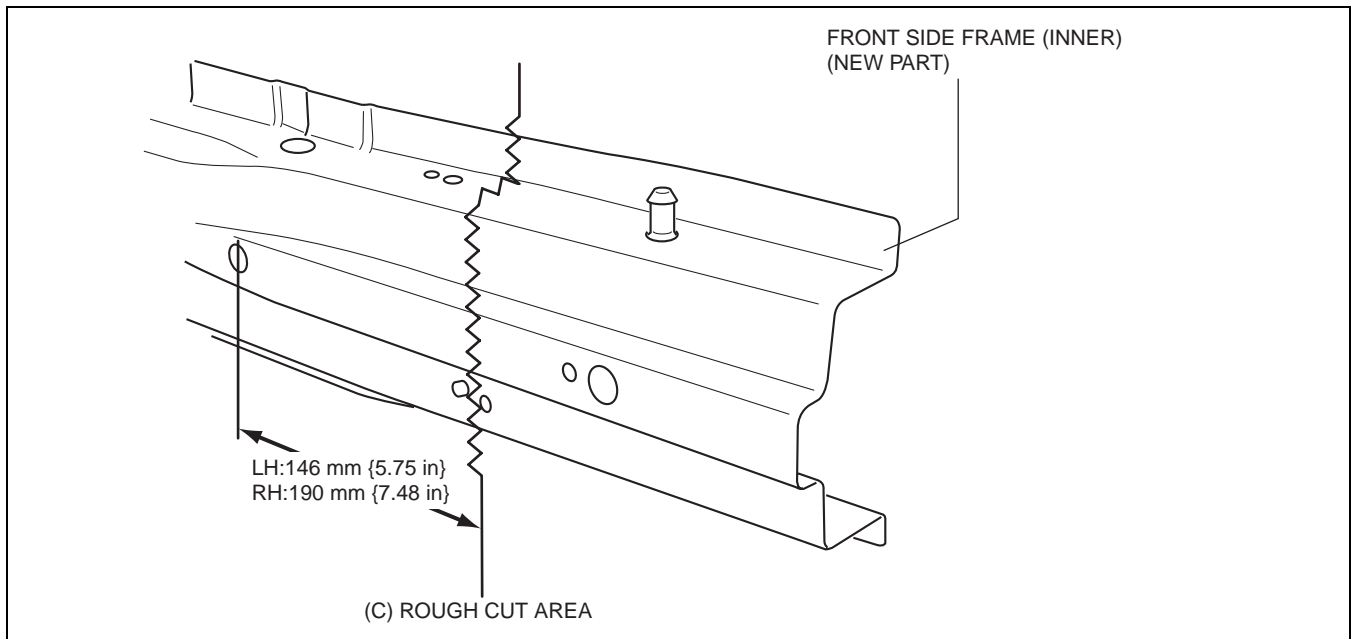
09-80B



am6zzb0000035

4. Plug weld the 3 locations (LH), 1 location (RH) indicated by (B) shown in the figure, then install the front side frame (outer).
5. To cut and join the new and existing parts, rough cut the new part at the specified location shown in the figure, and chamfer the joint surfaces of the new and existing parts.

## BODY STRUCTURE [PANEL REPLACEMENT]

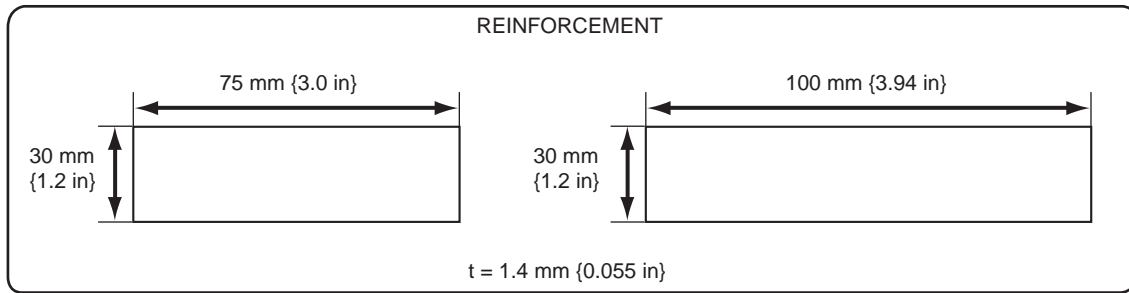


am6zzb0000035

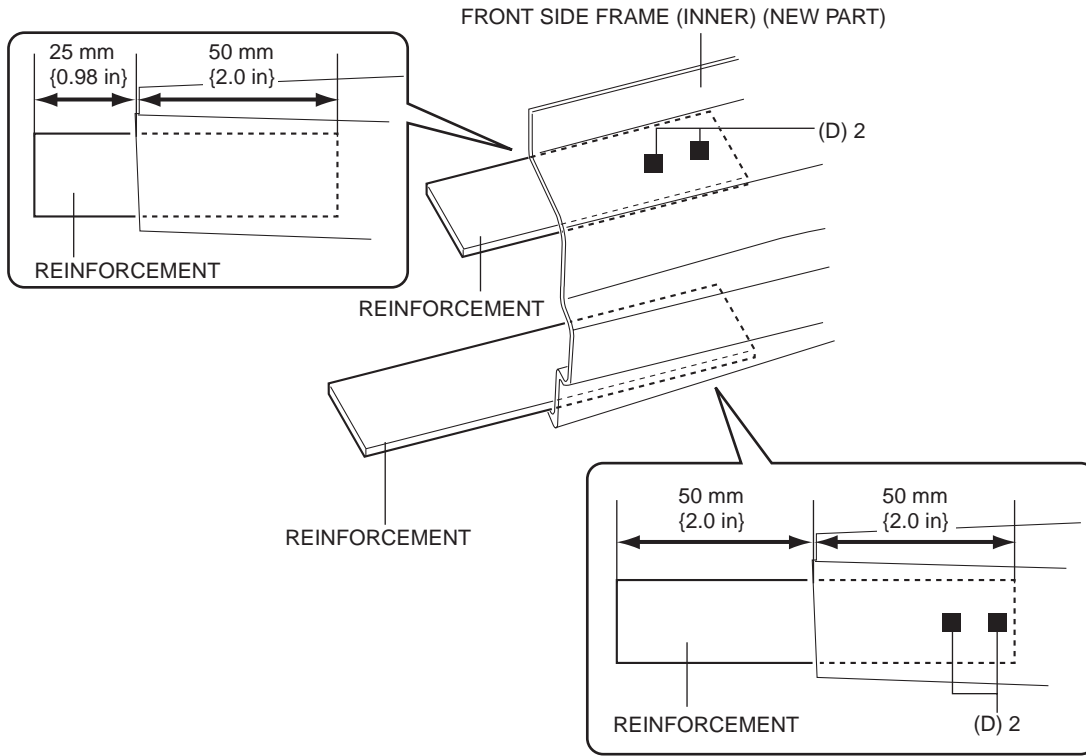
6. Make a reinforcement panel using the material from the front side frame (inner).
7. Plug weld the 4 locations (LH), 6 locations (RH) indicated by (D) shown in the figure, then install the reinforcement to the new front side frame (inner).

# BODY STRUCTURE [PANEL REPLACEMENT]

LH



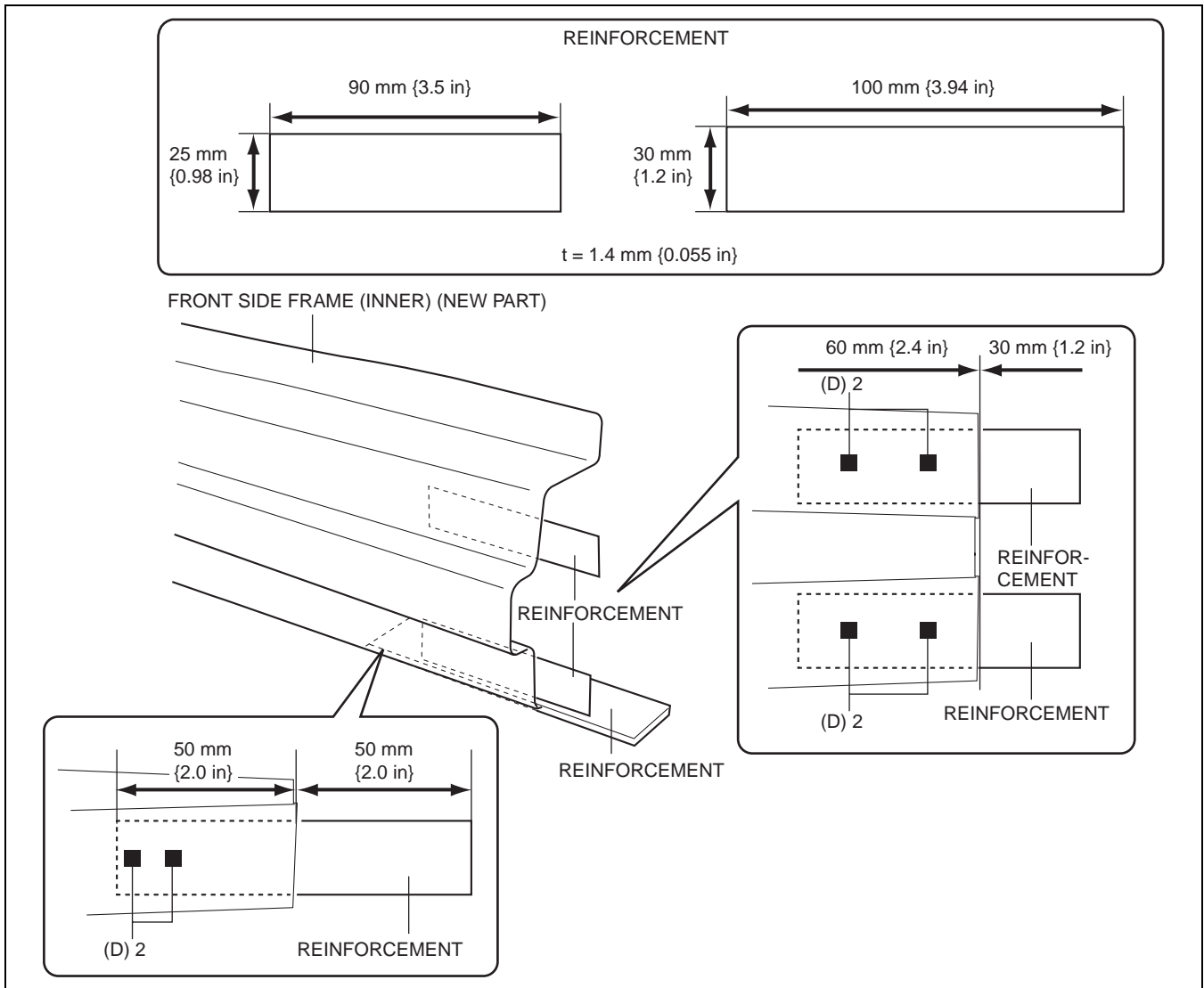
09-80B



am6zzb0000051

# BODY STRUCTURE [PANEL REPLACEMENT]

RH



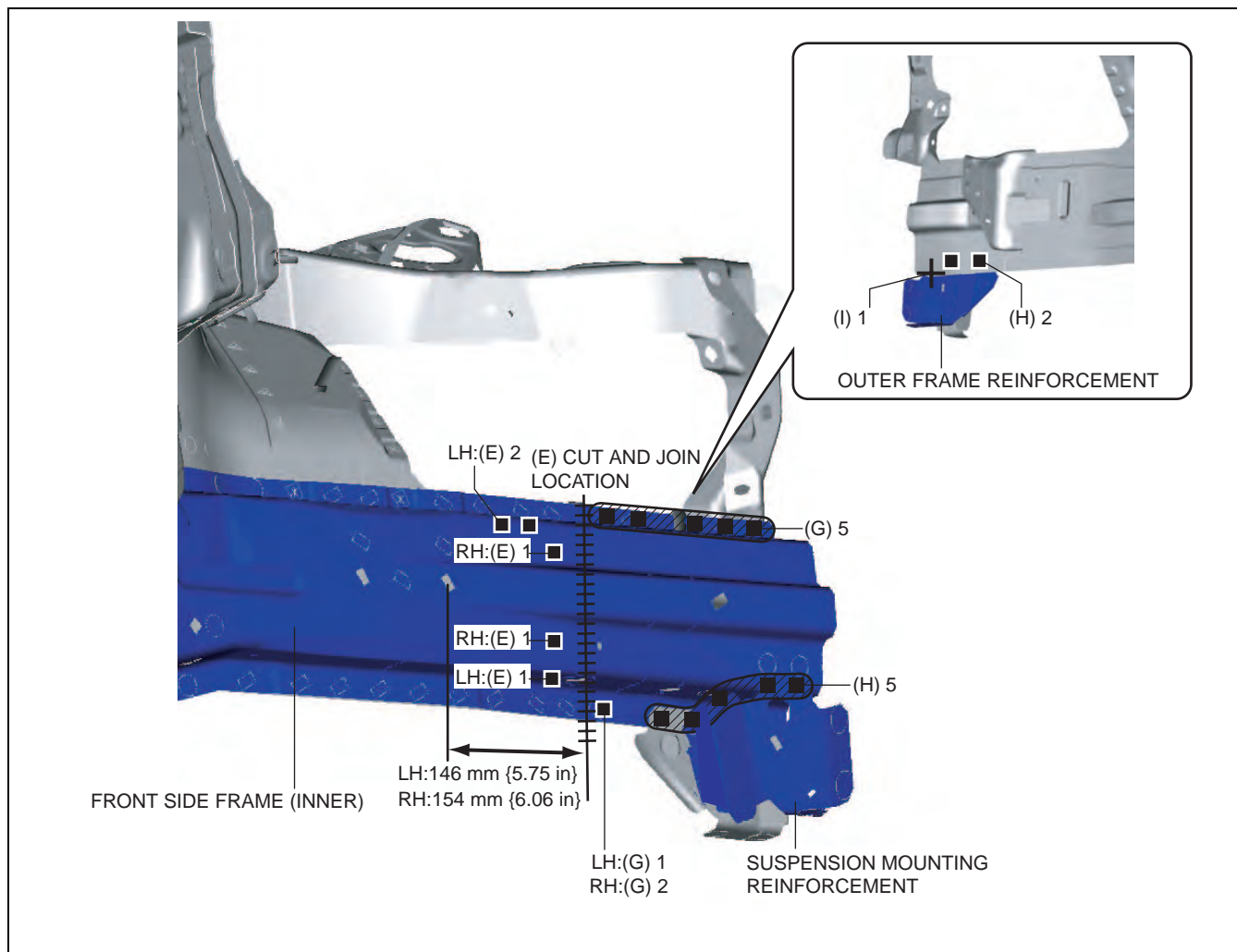
am6zzb0000036

8. Plug weld 3 locations (LH), 2 locations (RH) indicated by (E) shown in the figure.

**Note**

- Press fit the reinforcement panel and the body side material, and then weld them.

## BODY STRUCTURE [PANEL REPLACEMENT]



09-80B

am6zzb0000036

9. Cut and join location indicated by (F) shown in the figure.
10. Plug weld the 6 locations (LH), 7 locations (RH) indicated by (G) shown in the figure, then install the front side frame (inner).
11. Plug weld the 7 locations indicated by (H) shown in the figure.
12. Plug weld the 1 location indicated by (I) shown in the figure, then install the suspension mounting reinforcement and outer frame reinforcement.

# BODY STRUCTURE [PANEL REPLACEMENT]

## COWL UPPER PLATE REMOVAL [PANEL REPLACEMENT]

id098008957100

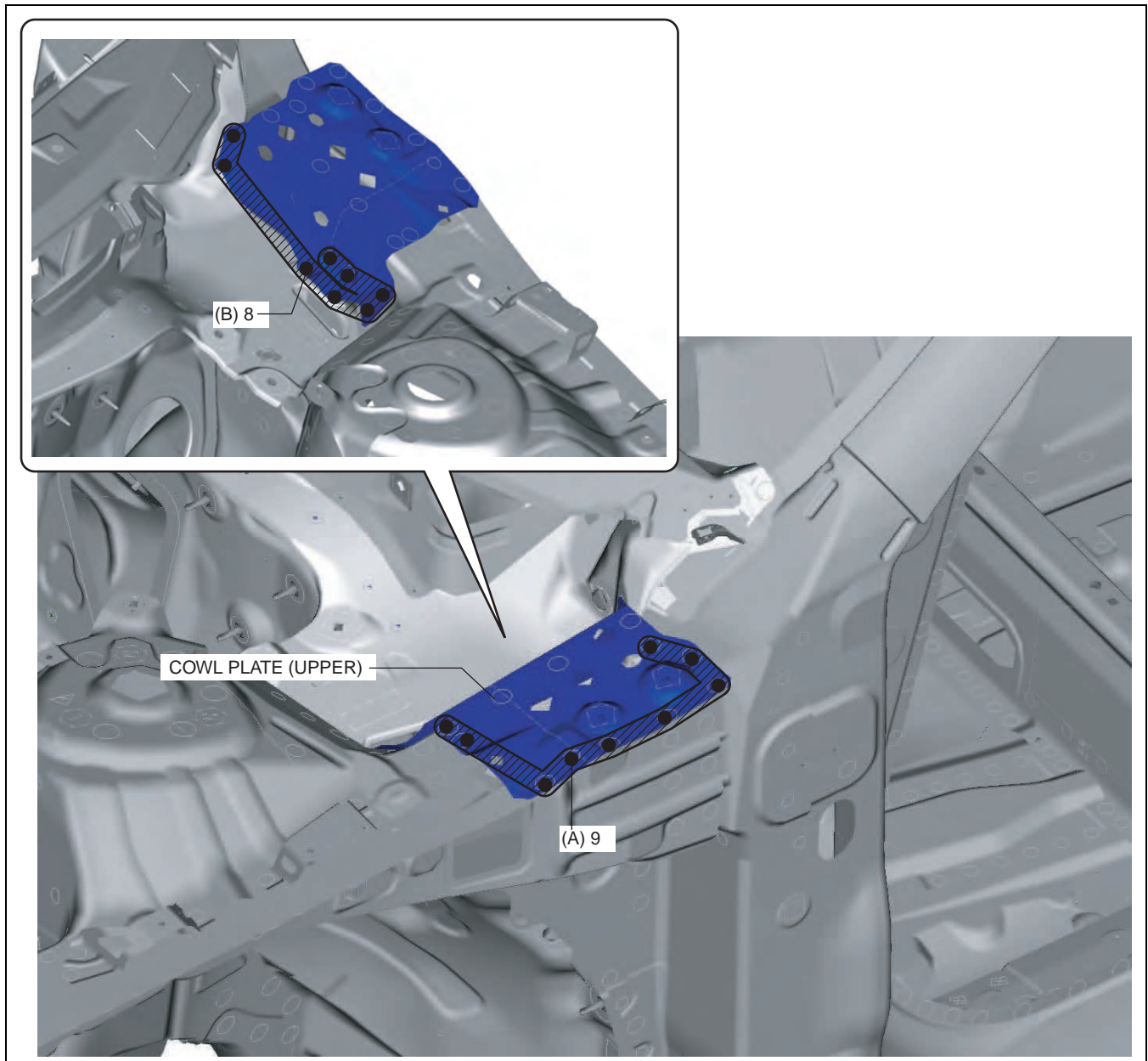
### Symbol Mark

SYMBOL MARK	MEANING
●	SPOT WELDING

am6zzb0000036

### Removal Procedure

1. Drill the 9 locations indicated by (A) shown in the figure.



am6zzb0000036

2. Drill the 8 locations indicated by (B) shown in the figure, then remove the cowl plate (upper).

# BODY STRUCTURE [PANEL REPLACEMENT]

## COWL UPPER PLATE INSTALLATION [PANEL REPLACEMENT]

id098008957200

### Symbol Mark

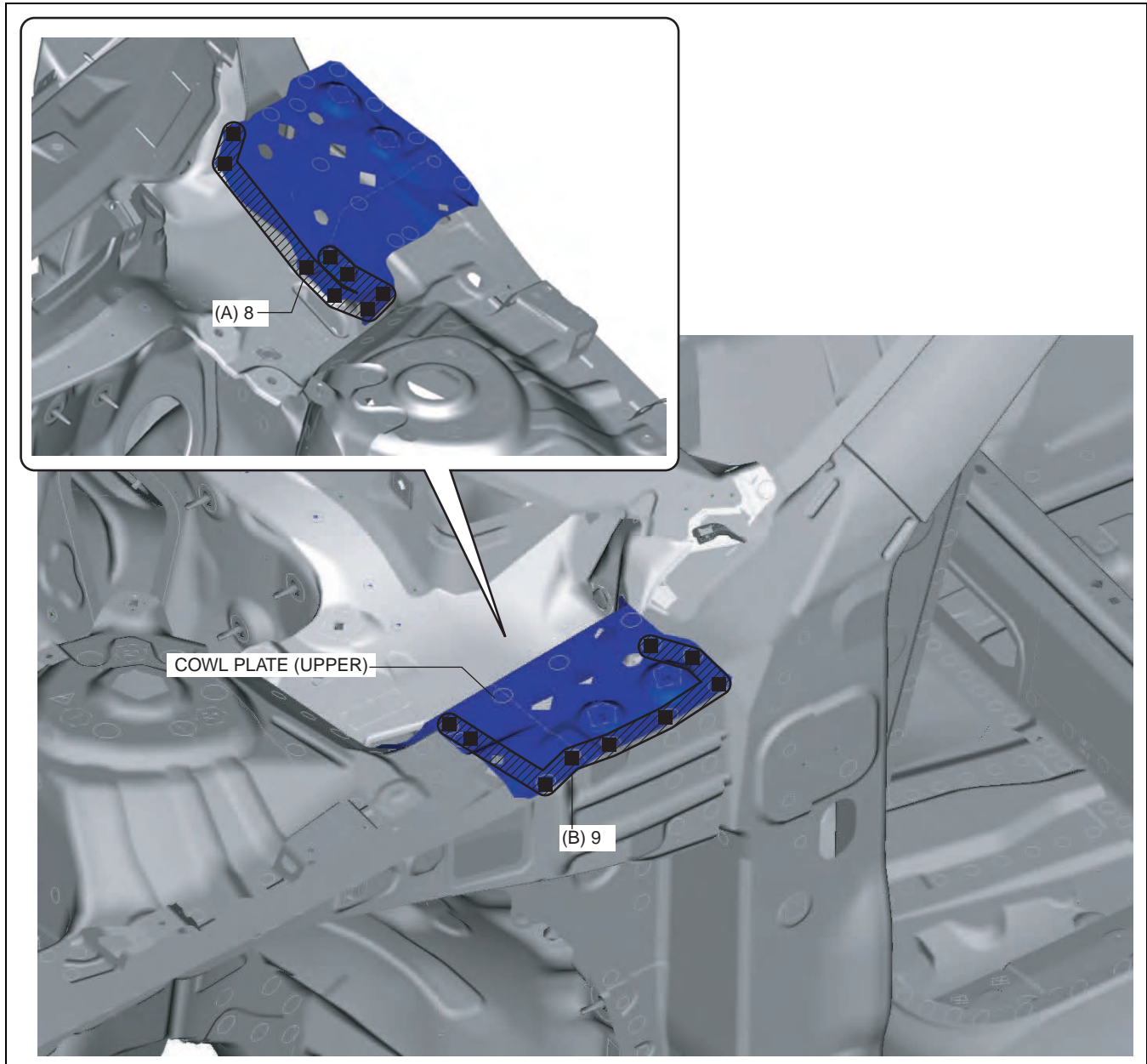
SYMBOL MARK	MEANING
■	PLUG WELDING (CO <sub>2</sub> ARC WELDING)

am6zzb0000036

09-80B

### Installation Procedure

1. When installing new parts, measure and adjust the body as necessary to conform with standard dimensions.
2. Drill holes for the plug welding before installing the new parts.
3. After temporarily installing new parts, make sure the related parts fit properly.
4. Plug weld the 8 locations indicated by (A) shown in the figure.



am6zzb0000036

5. Plug weld the 8 locations indicated by (B) shown in the figure, then install the cowl plate (upper).

# BODY STRUCTURE [PANEL REPLACEMENT]

## TORQUE BOX REMOVAL [PANEL REPLACEMENT]

id098008607100

### Symbol Mark

SYMBOL MARK	MEANING
●	SPOT WELDING

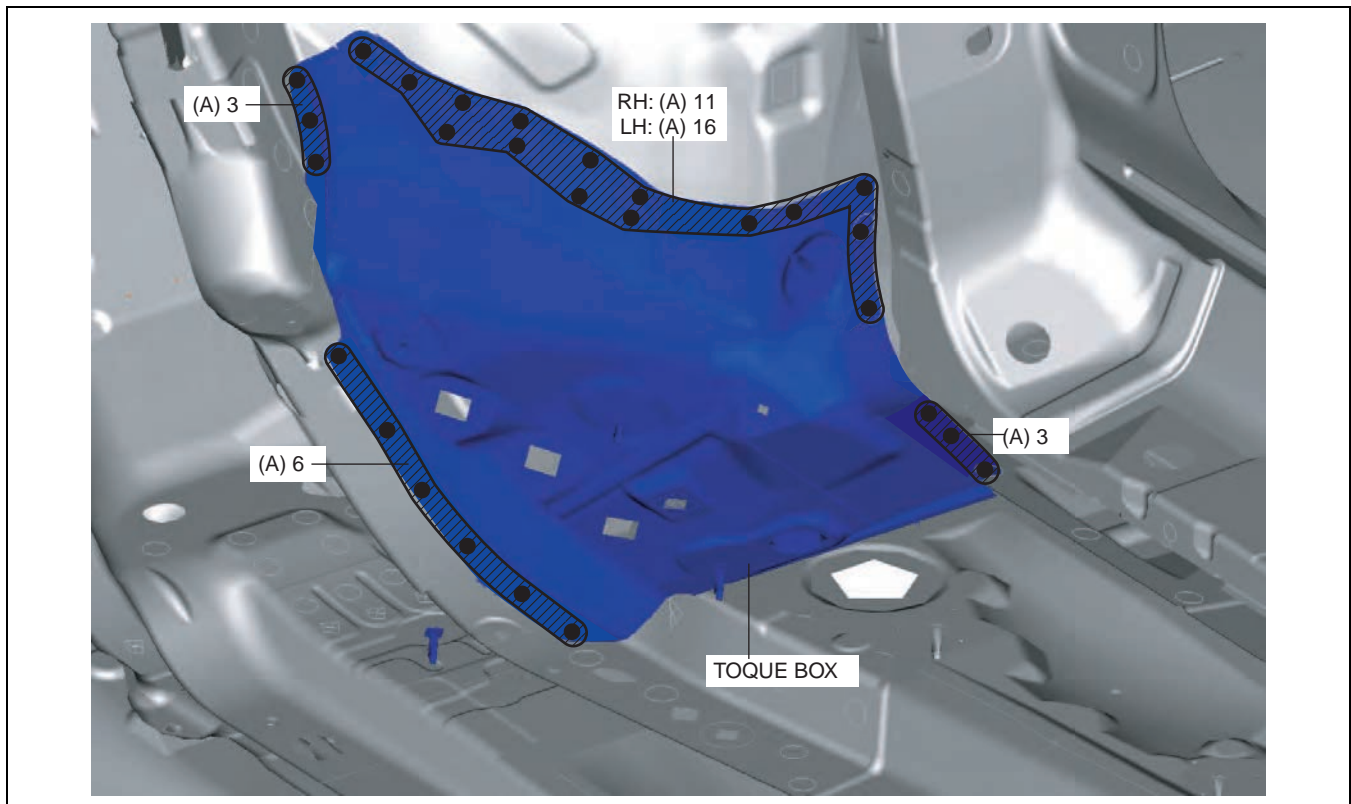
am6zzb0000036

### Removal Procedure

1. Drill the 23 locations (LH), 28 locations (RH) indicated by (A) shown in the figure.

#### Note

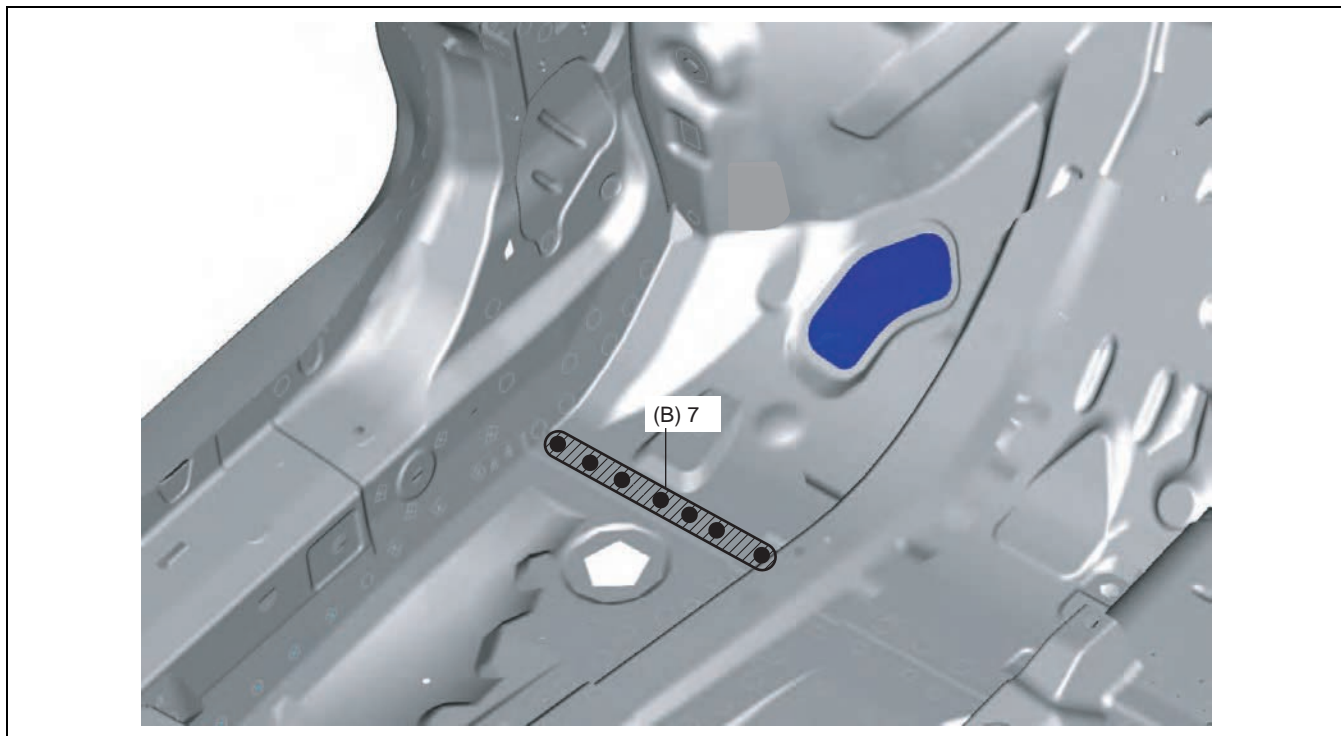
- When drilling the 23 locations (LH), 28 locations (RH) indicated by (A) shown in the figure, do not drill a hole all the way through or there could be a problem when installing the new part.



am6zzb0000036

2. Drill the 7 locations indicated by (B) from the inside shown in the figure.

## BODY STRUCTURE [PANEL REPLACEMENT]



09-80B

aatjb00000198

3. Remove the torque box.

# BODY STRUCTURE [PANEL REPLACEMENT]

## TORQUE BOX INSTALLATION [PANEL REPLACEMENT]

id098008607200

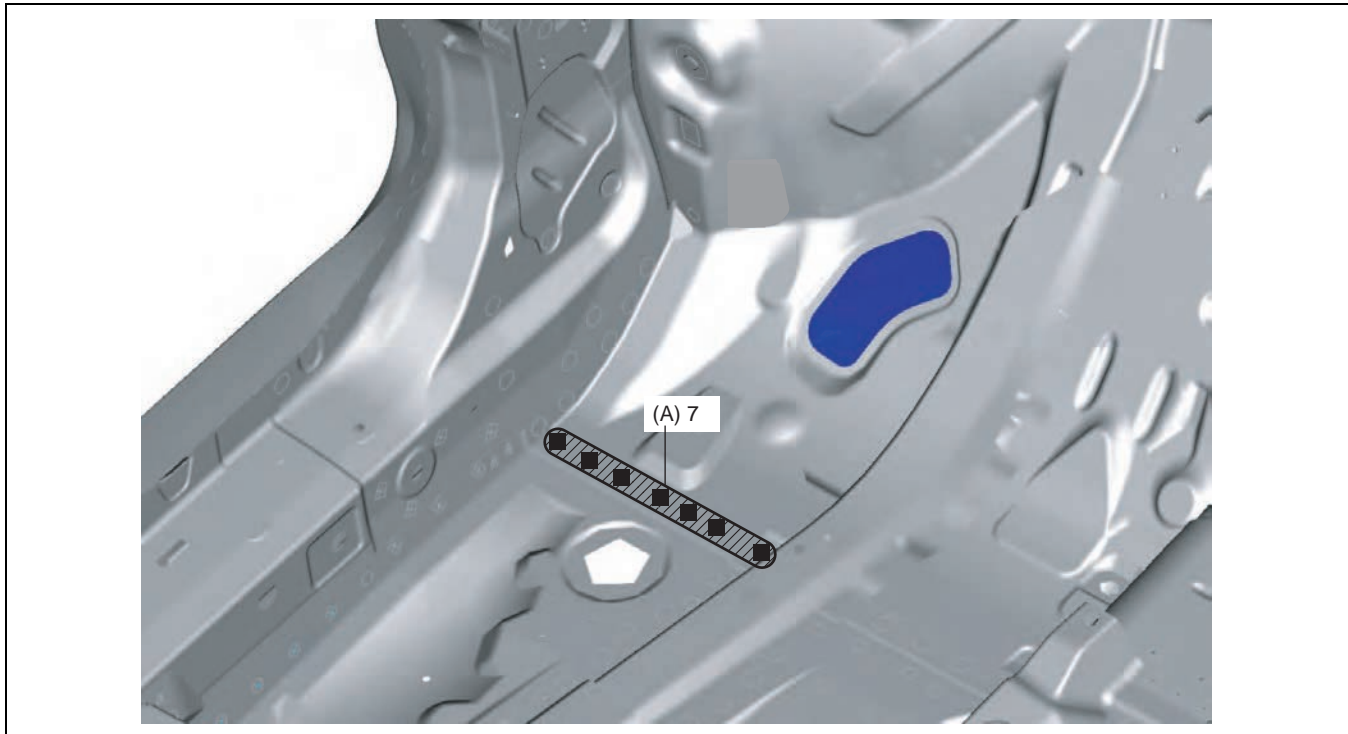
### Symbol Mark

SYMBOL MARK	MEANING
■	PLUG WELDING (CO <sub>2</sub> ARC WELDING)

am6zzb0000036

### Installation Procedure

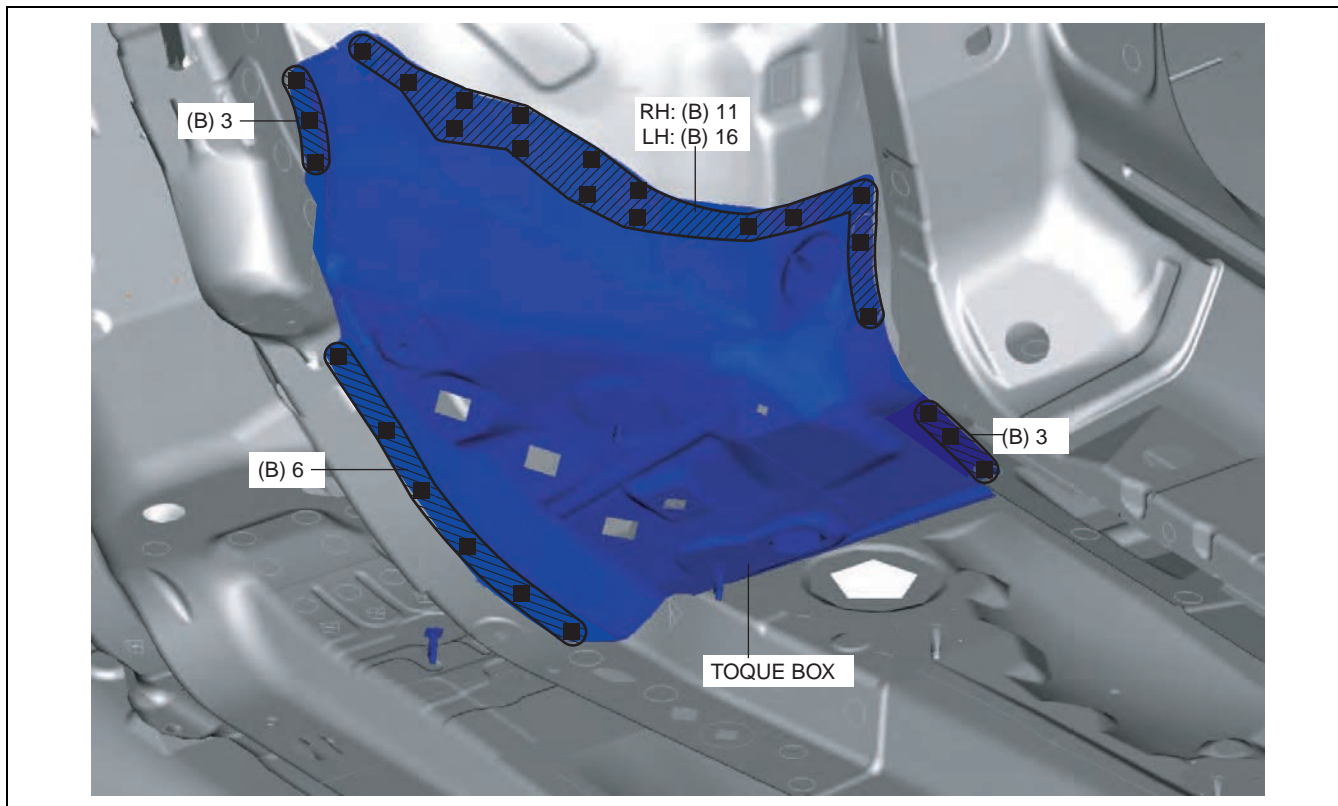
1. When installing new parts, measure and adjust the body as necessary to conform with standard dimensions.
2. Drill holes 23 locations (LH), 28 locations (RH) indicated by (B) shown in the figure for the plug welding before installing the new parts.
3. After temporarily installing new parts, make sure the related parts fit properly.
4. Plug weld the 7 locations indicated by (A) from the room side shown in the figure.



am6zzb0000036

5. Plug weld the 23 locations (LH), 28 locations (RH) by (B) shown in the figure, then install the torque box.

# BODY STRUCTURE [PANEL REPLACEMENT]



09-80B

am6zzb000037

# BODY STRUCTURE [PANEL REPLACEMENT]

## SIDE MEMBER REMOVAL [PANEL REPLACEMENT]

id098008928100

### Symbol Mark

SYMBOL MARK	MEANING
●	SPOT WELDING

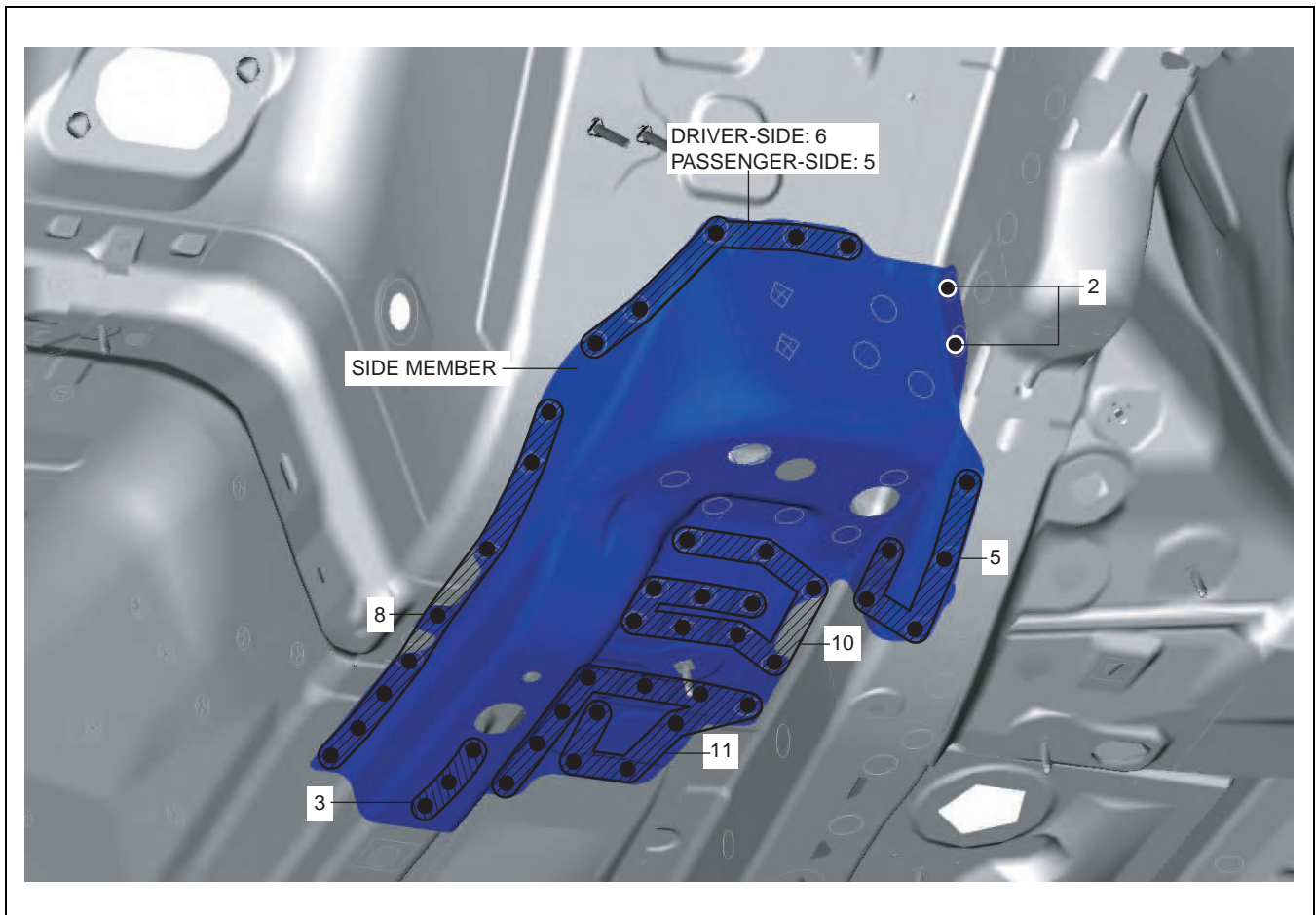
am6zzb0000037

### Removal Procedure

1. Drill the 45 locations (driver-side), 44 locations (passenger-side) shown in the figure.

#### Note

- When drilling the 45 locations (driver-side), 44 locations (passenger-side) shown in the figure, do not drill a hole all the way through or there could be a problem when installing the new part.



am6zzb0000037

2. Remove the side member.

# BODY STRUCTURE [PANEL REPLACEMENT]

## SIDE MEMBER INSTALLATION [PANEL REPLACEMENT]

id098008928200

### Symbol Mark

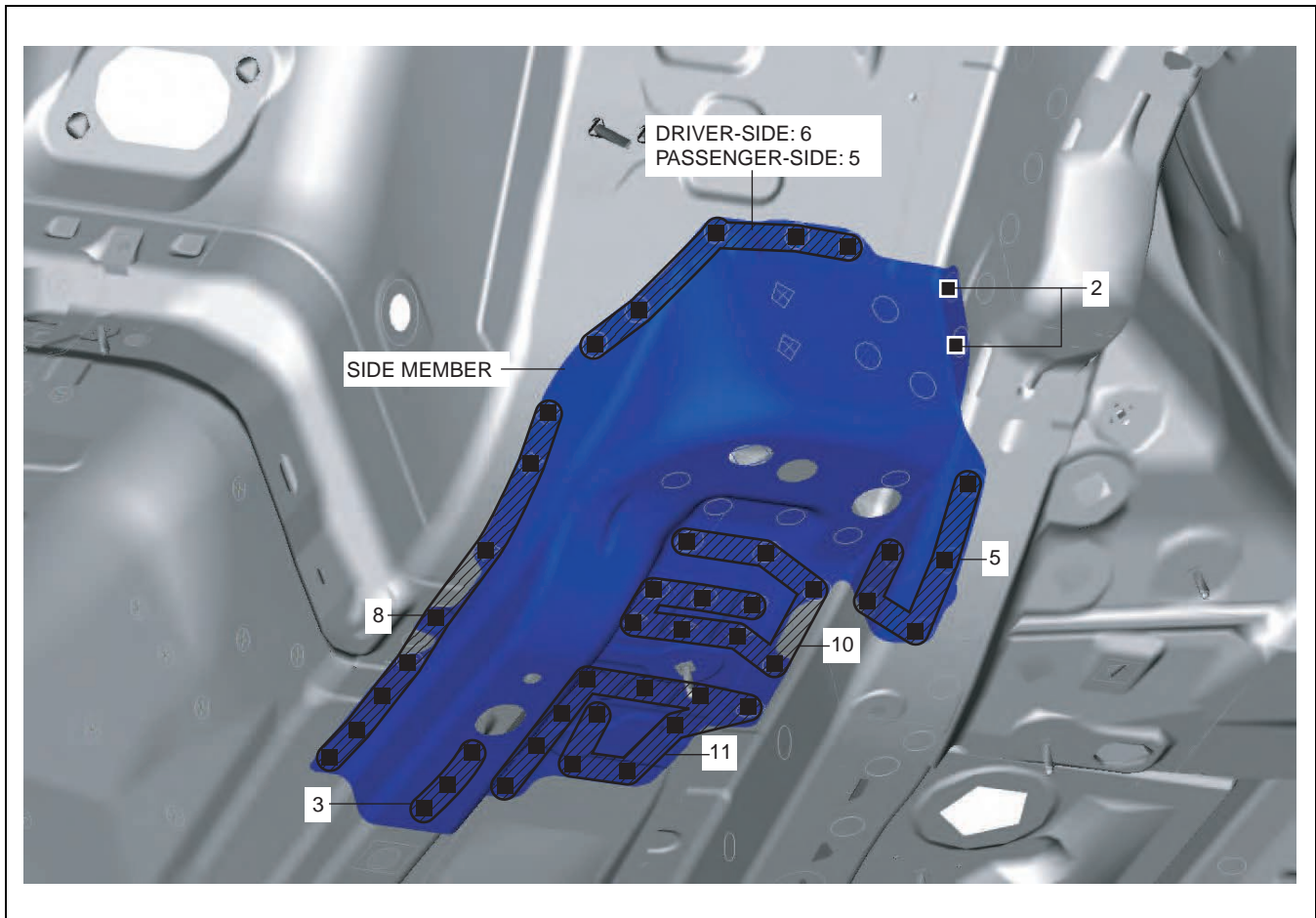
SYMBOL MARK	MEANING
■	PLUG WELDING (CO <sub>2</sub> ARC WELDING)

am6zzb0000037

09-80B

### Installation Procedure

1. When installing new parts, measure and adjust the body as necessary to conform with standard dimensions.
2. Drill holes for the plug welding before installing the new parts.
3. After temporarily installing new parts, make sure the related parts fit properly.
4. Plug weld the 45 locations (driver-side), 44 locations (passenger-side) shown in the figure, then install the side member.



am6zzb0000037

# BODY STRUCTURE [PANEL REPLACEMENT]

## FRONT FRAME (REAR) REMOVAL [PANEL REPLACEMENT]

id098008742500

### Symbol Mark

SYMBOL MARK	MEANING
●	SPOT WELDING

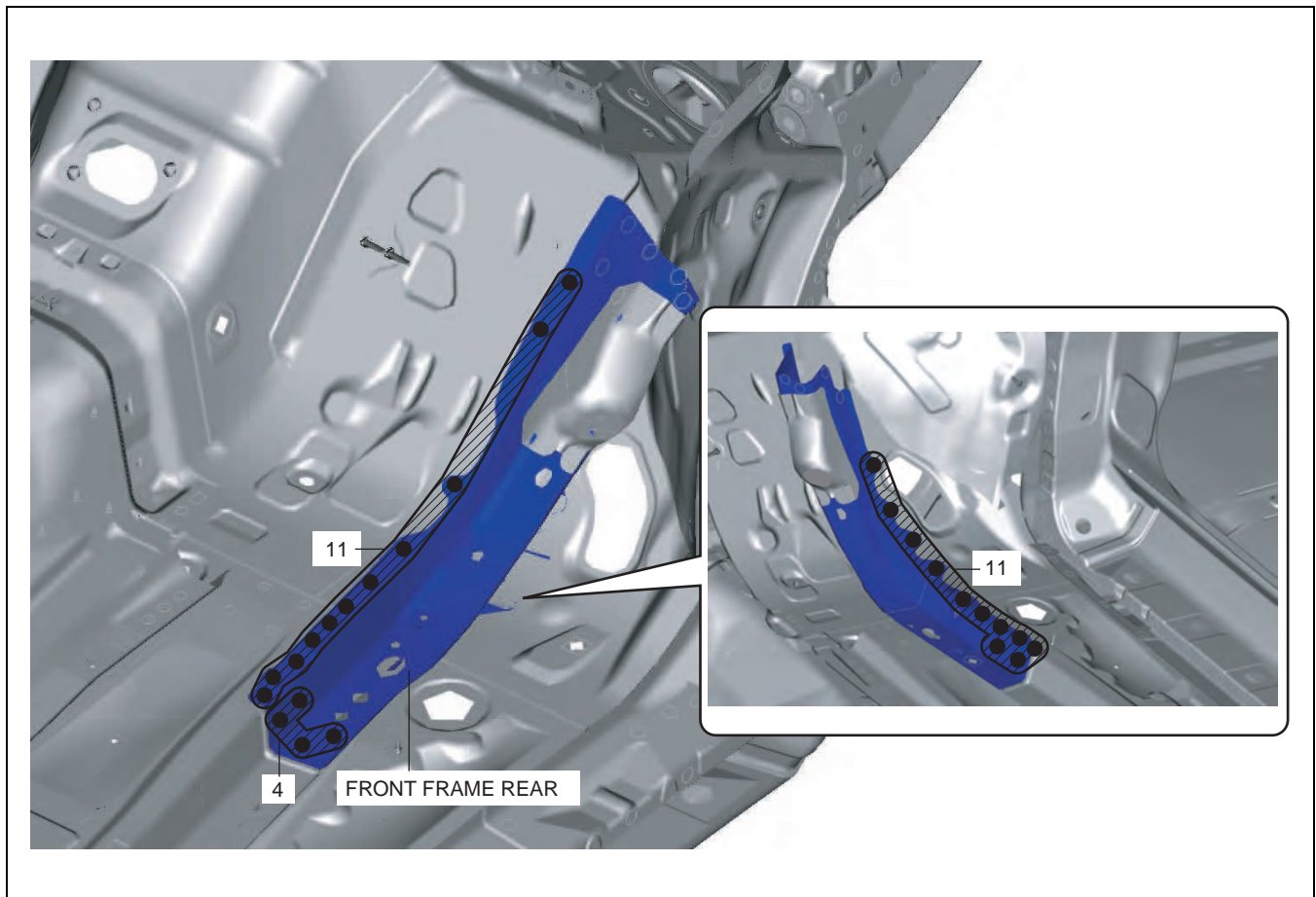
am6zzb0000037

### Removal Procedure

1. Drill the 26 locations shown in the figure.

#### Note

- When drilling the 26 locations shown in the figure, do not drill a hole all the way through or there could be a problem when installing the new part.



am6zzb0000037

2. Remove the front frame (rear).

# BODY STRUCTURE [PANEL REPLACEMENT]

## FRONT FRAME (REAR) INSTALLATION [PANEL REPLACEMENT]

id098008742600

### Symbol Mark

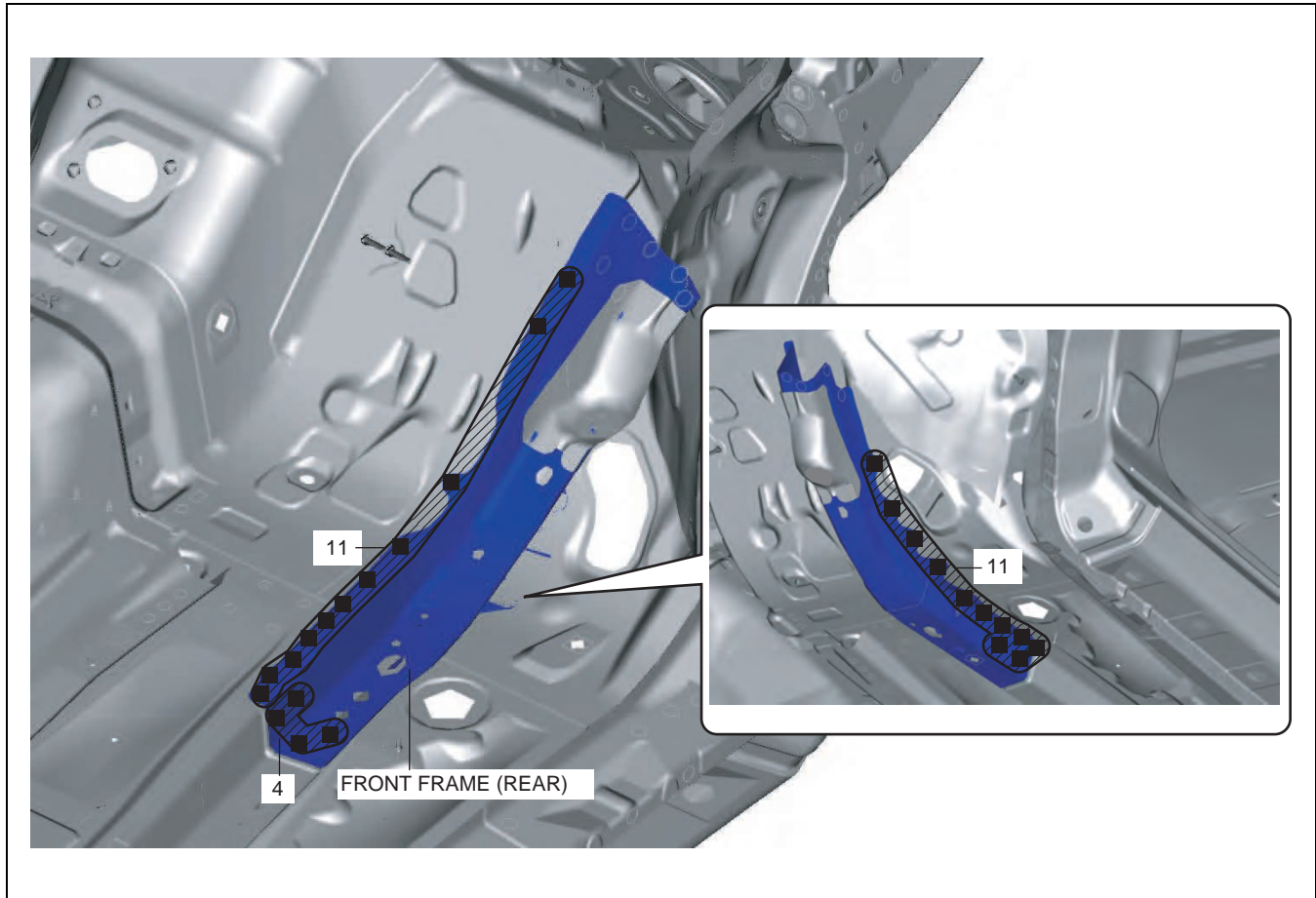
SYMBOL MARK	MEANING
■	PLUG WELDING (CO <sub>2</sub> ARC WELDING)

am6zzb0000037

### Installation Procedure

09-80B

1. When installing new parts, measure and adjust the body as necessary to conform with standard dimensions.
2. Drill holes for the plug welding before installing the new parts.
3. After temporarily installing new parts, make sure the related parts fit properly.
4. Plug weld the 26 locations shown in the figure, then install the front frame (rear).



am6zzb0000037

# BODY STRUCTURE [PANEL REPLACEMENT]

## FRONT PILLAR REMOVAL [PANEL REPLACEMENT]

id098008744700

### Symbol Mark

SYMBOL MARK	MEANING
●	SPOT WELDING
~~~~~	ROUGH CUT LOCATION

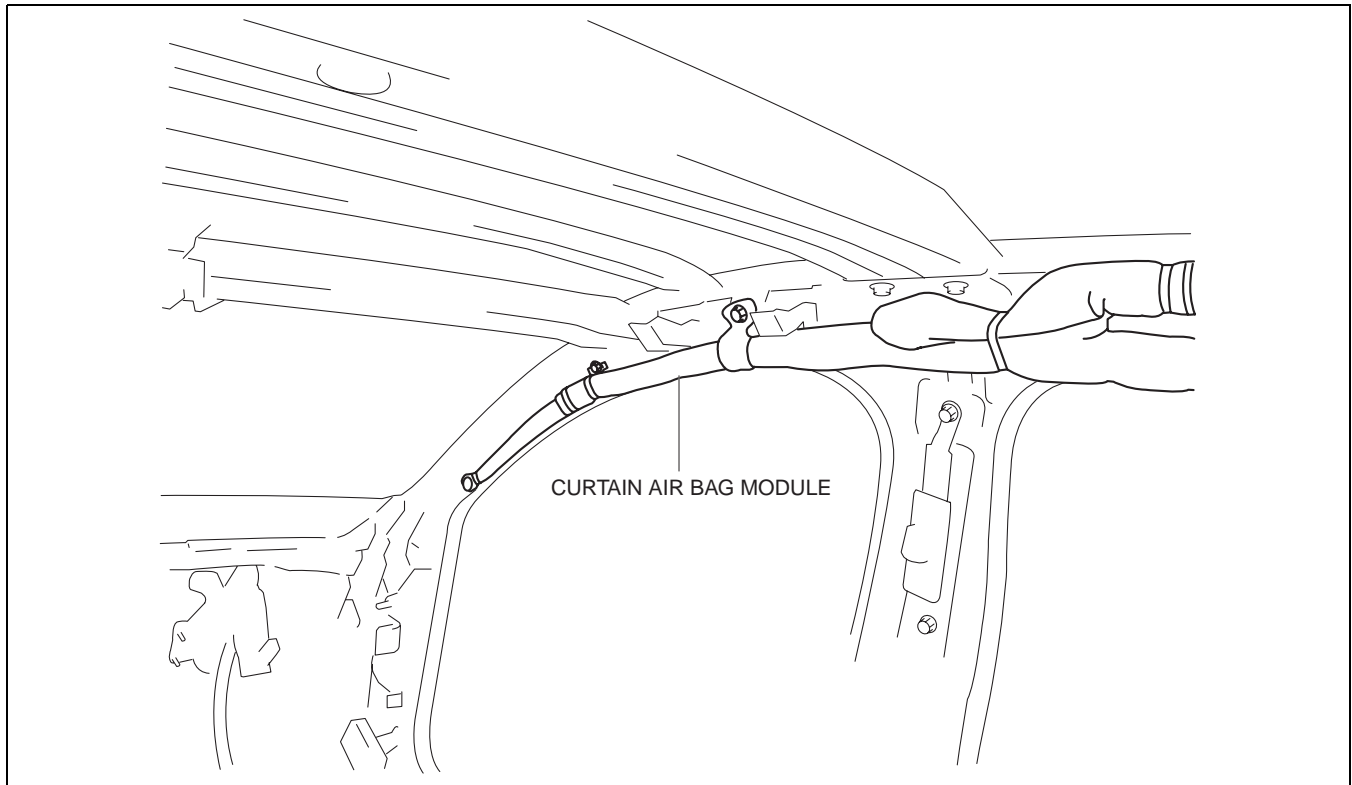
am6zzb0000037

### Removal Procedure

#### Caution

- Remove the curtain air bag module to prevent damage before servicing.

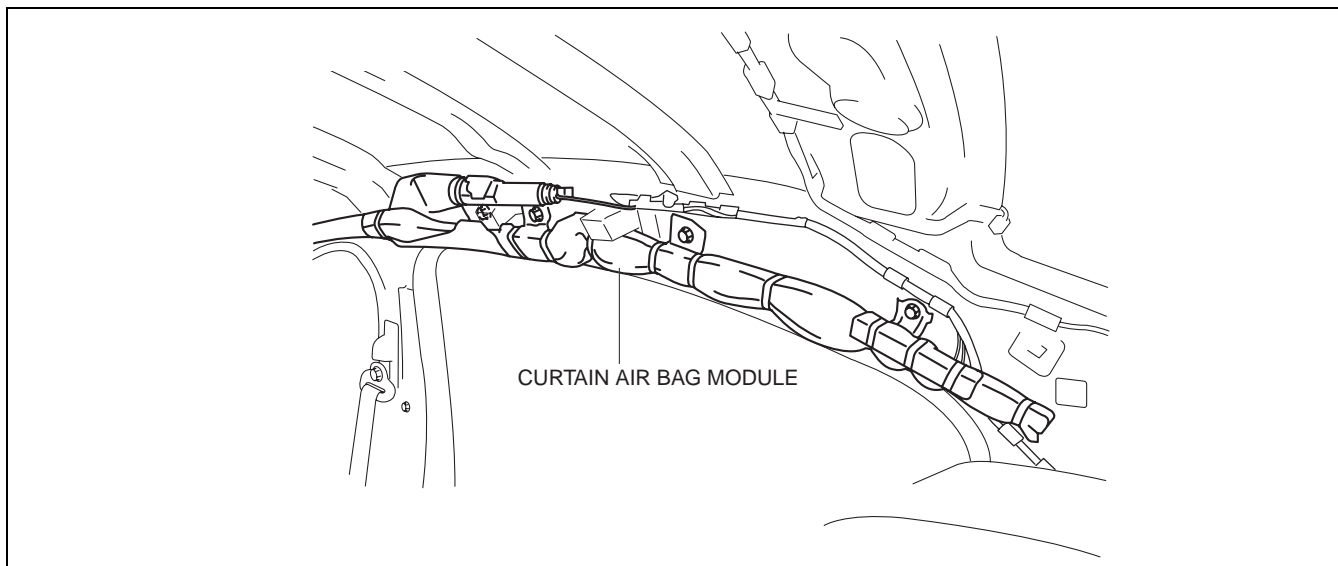
### Front-side



am6xub0000010

## BODY STRUCTURE [PANEL REPLACEMENT]

### Rear-side

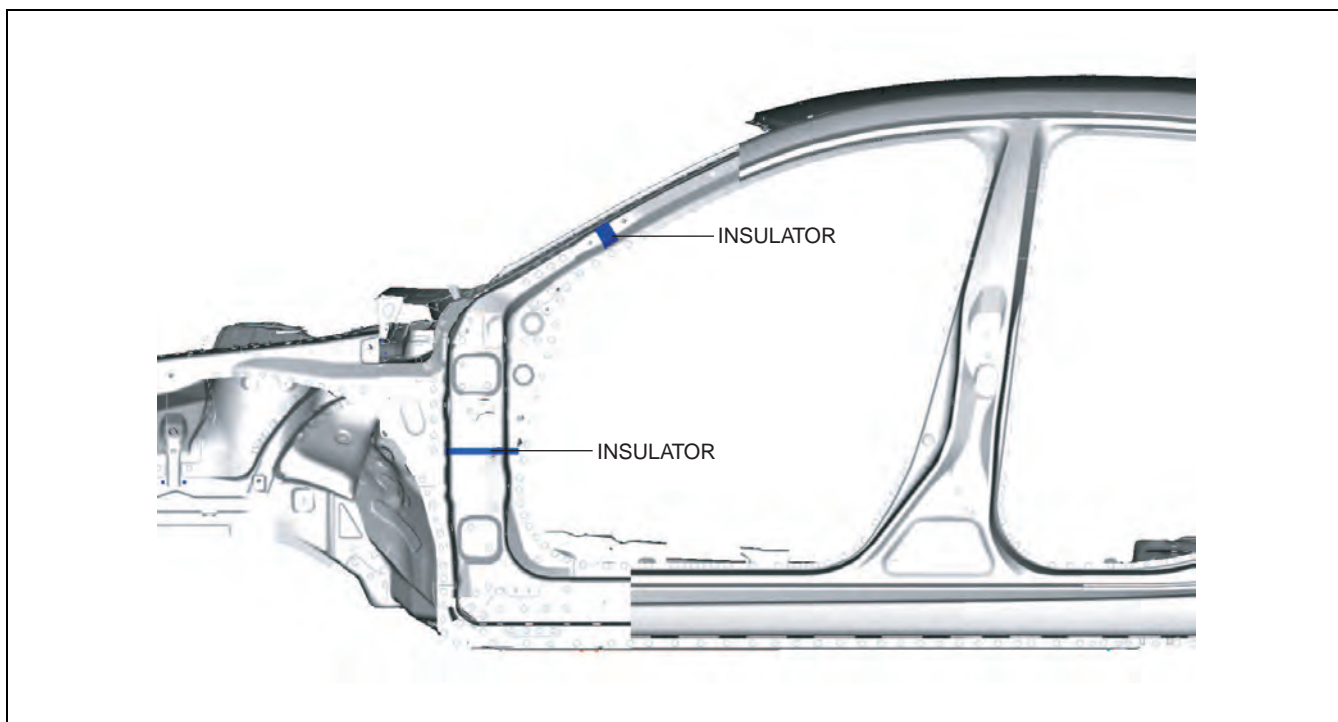


09-80B

am6xub0000010

### Caution

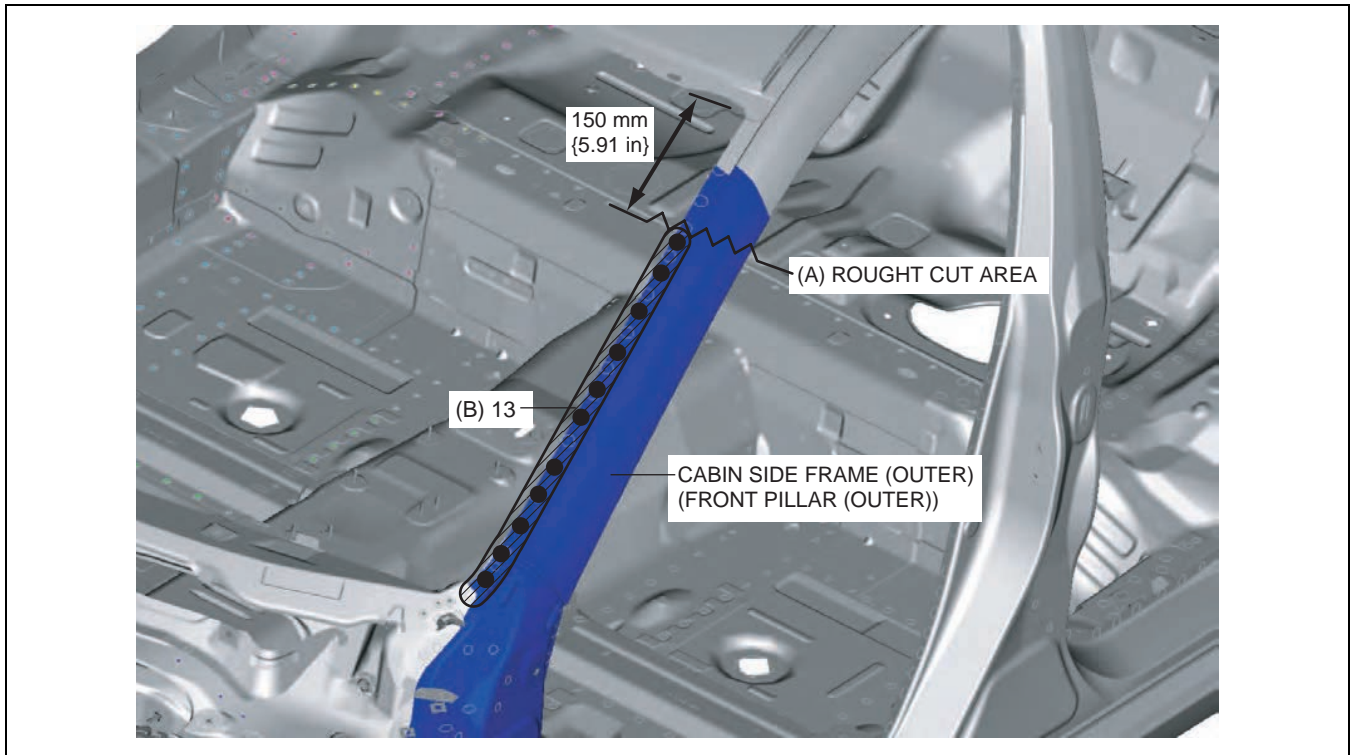
- Avoid cutting with a blowtorch or similar tools as the insulator (shaded area) is flammable.



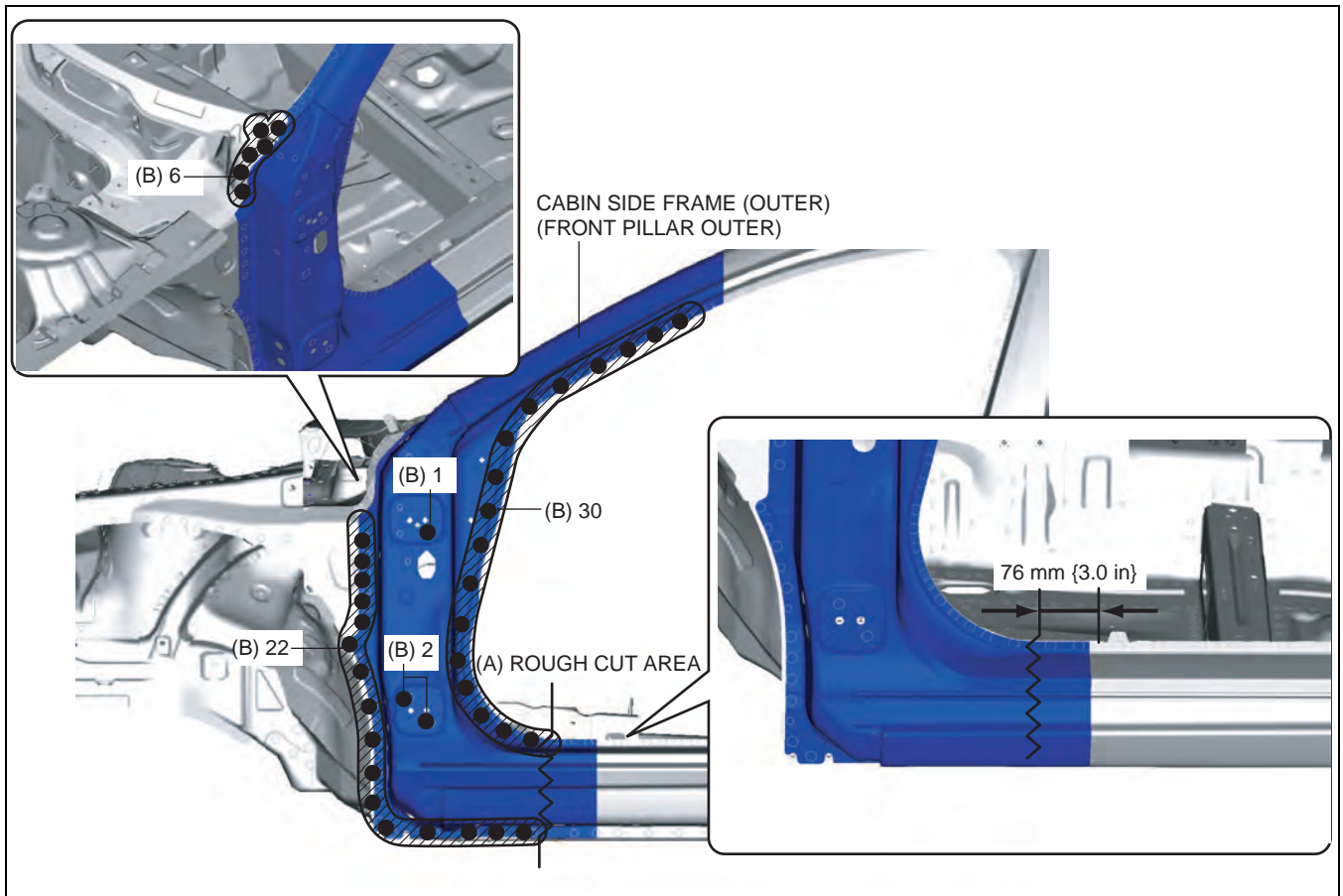
am6zzb0000038

1. Rough cut the 2 locations indicated by (A) shown in the figure.

## BODY STRUCTURE [PANEL REPLACEMENT]



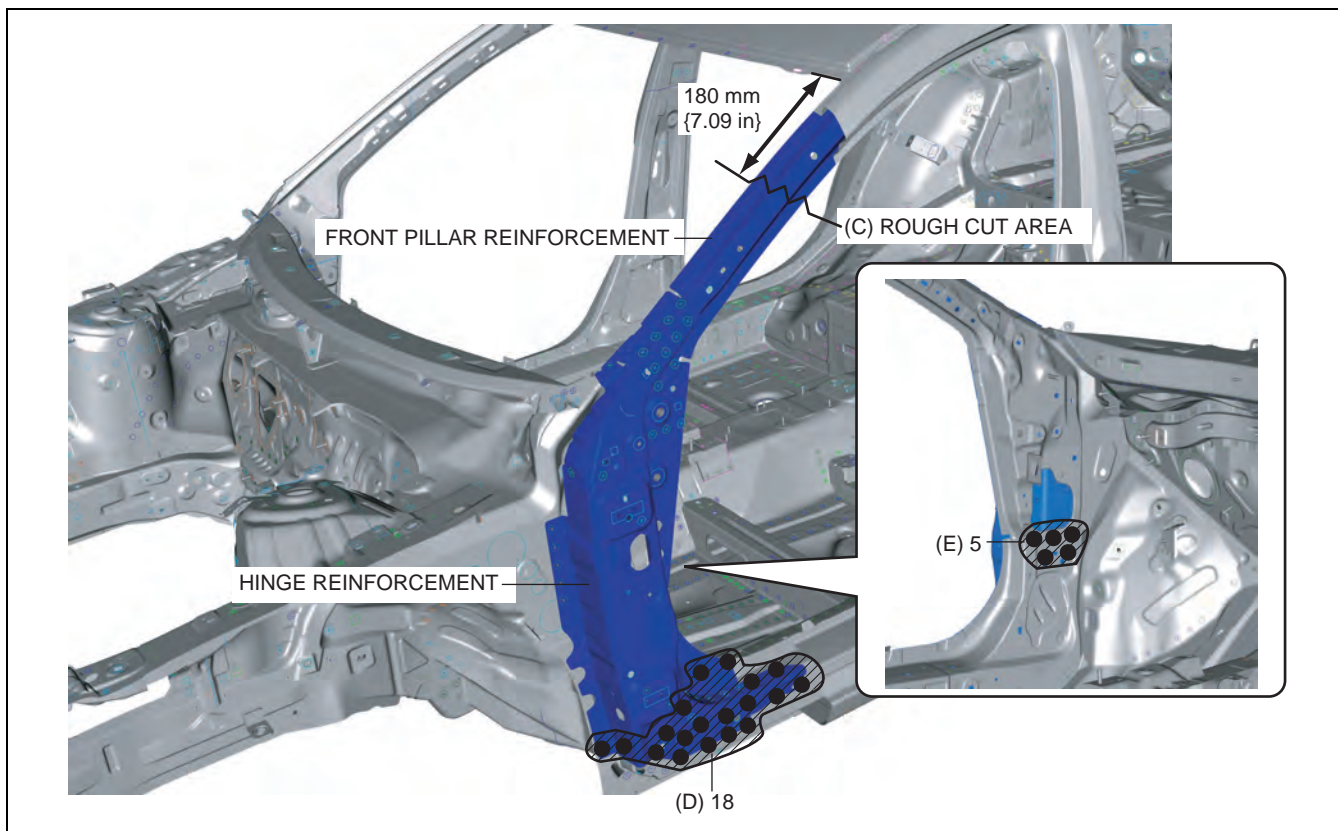
am6zzb000038



am6zzb000038

2. Drill the 74 locations indicated by (B) shown in the figure, then remove the cabin side frame (outer) (front pillar (outer)).
3. Rough cut the location (C) shown in the figure.

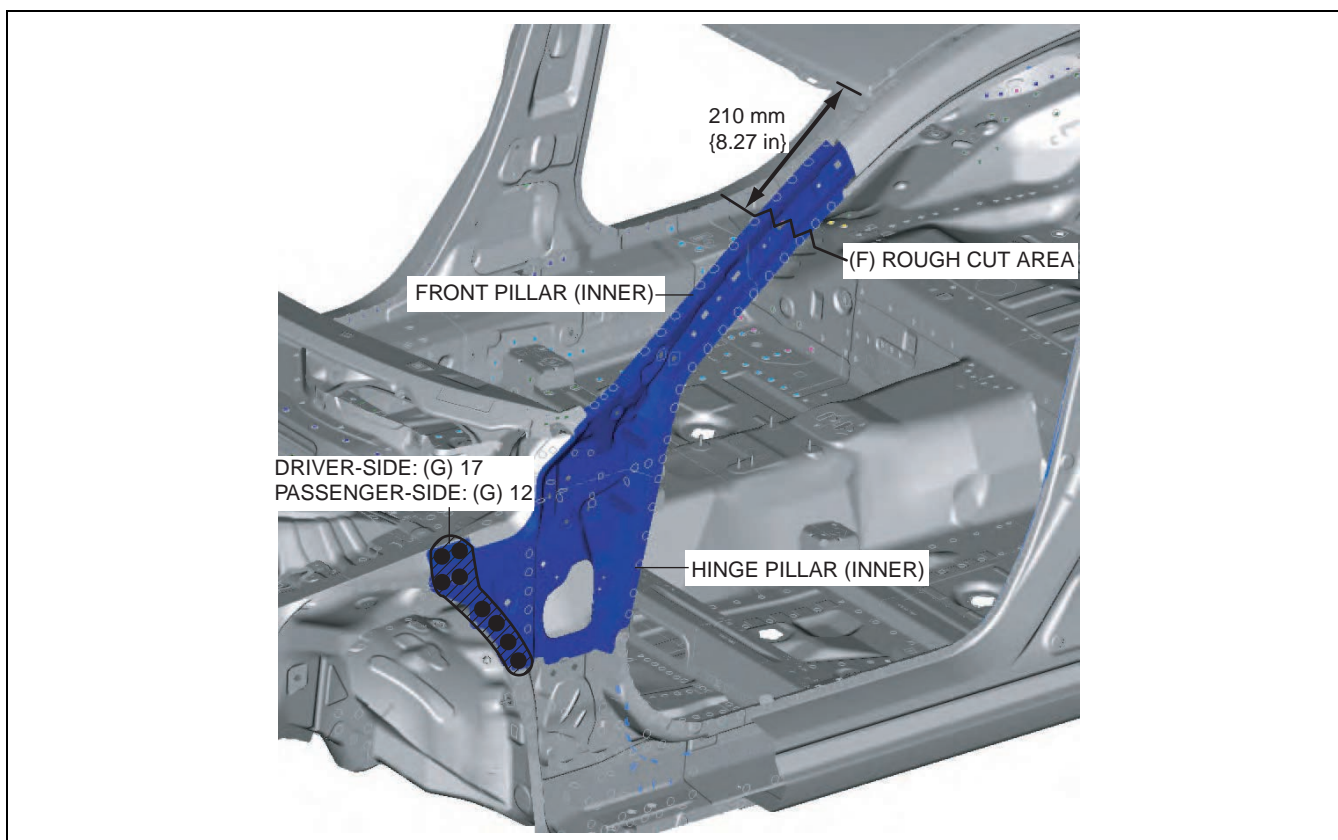
## BODY STRUCTURE [PANEL REPLACEMENT]



09-80B

am6zzb0000038

4. Drill the 18 locations indicated by (D) shown in the figure.
5. Drill the 5 locations indicated by (E) from the room side shown in the figure, then front pillar reinforcement and hinge reinforcement as a single unit.
6. Rough cut the location indicated by (F) shown in the figure.



am6zzb0000038

09-80B-43




## BODY STRUCTURE [PANEL REPLACEMENT]

7. Drill the 17 locations (driver-side), 12 locations (passenger-side) indicated (G) shown in the figure, then remove the front pillar (inner) and hinge pillar (inner) as a single unit.

### FRONT PILLAR INSTALLATION [PANEL REPLACEMENT]

id098008744800

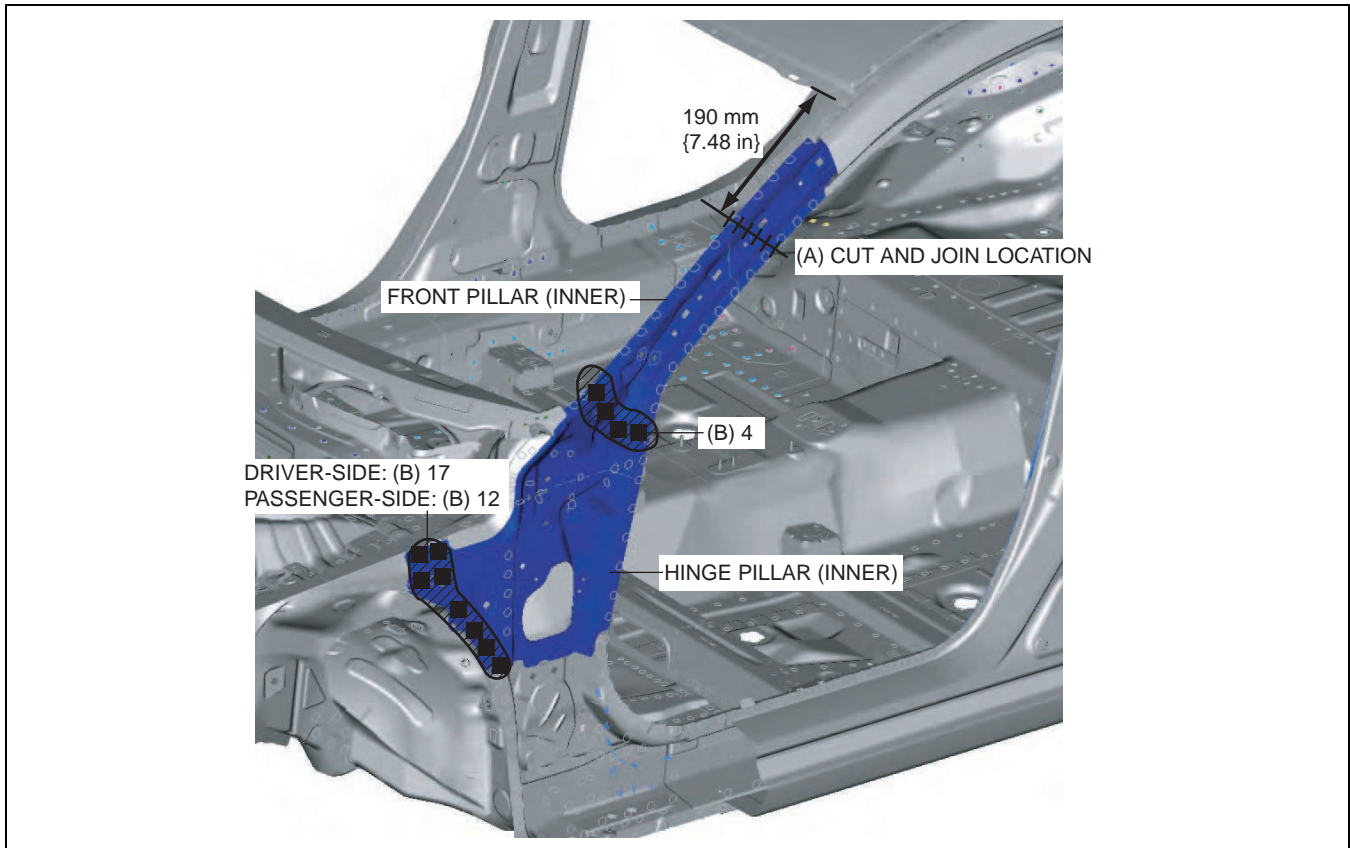
#### Symbol Mark

SYMBOL MARK	MEANING
	PLUG WELDING (CO <sub>2</sub> ARC WELDING)
	ROUGH CUT LOCATION
	CONTINUOUS CO <sub>2</sub> ARC WELDING (CUT-AND-JOIN LOCATION)

am6zzb0000038

#### Installation Procedure

1. When installing new parts, measure and adjust the body as necessary to conform with standard dimensions.
2. Drill holes for the plug welding before installing the new parts.
3. After temporarily installing new parts, make sure the related parts fit properly.
4. Cut and join location the indicated by (A) shown in the figure, then install the front pillar (inner).
5. Plug weld the 21 locations (LH), 16 locations (RH) indicated by (B) shown in the figure, then install the hinge pillar (inner).

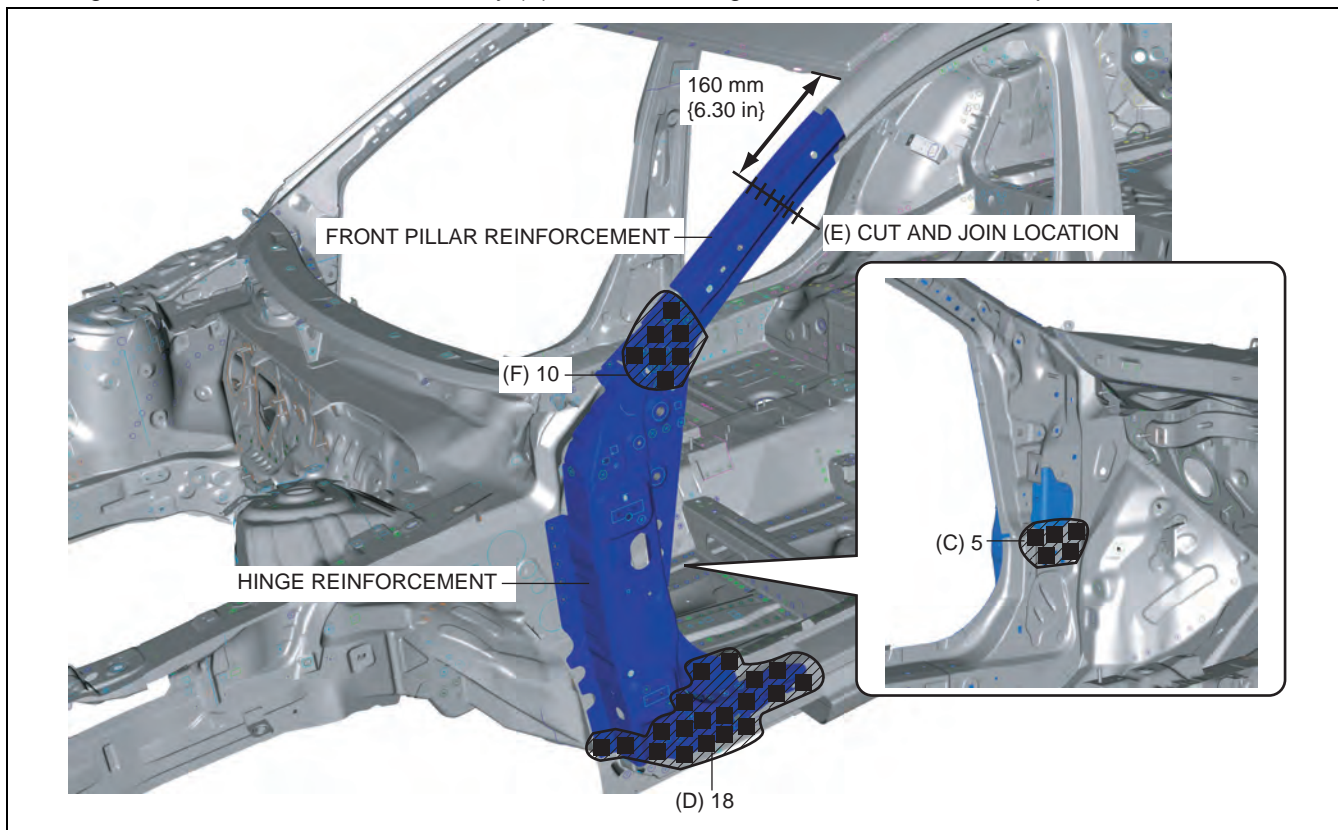


am6zzb0000038

6. Plug weld the 5 locations indicated by (C) from the room side shown in the figure.
7. Plug weld the 18 locations indicated by (D) shown in the figure, then install the hinge reinforcement.
8. Cut and join the location indicated by (E) shown in the figure.

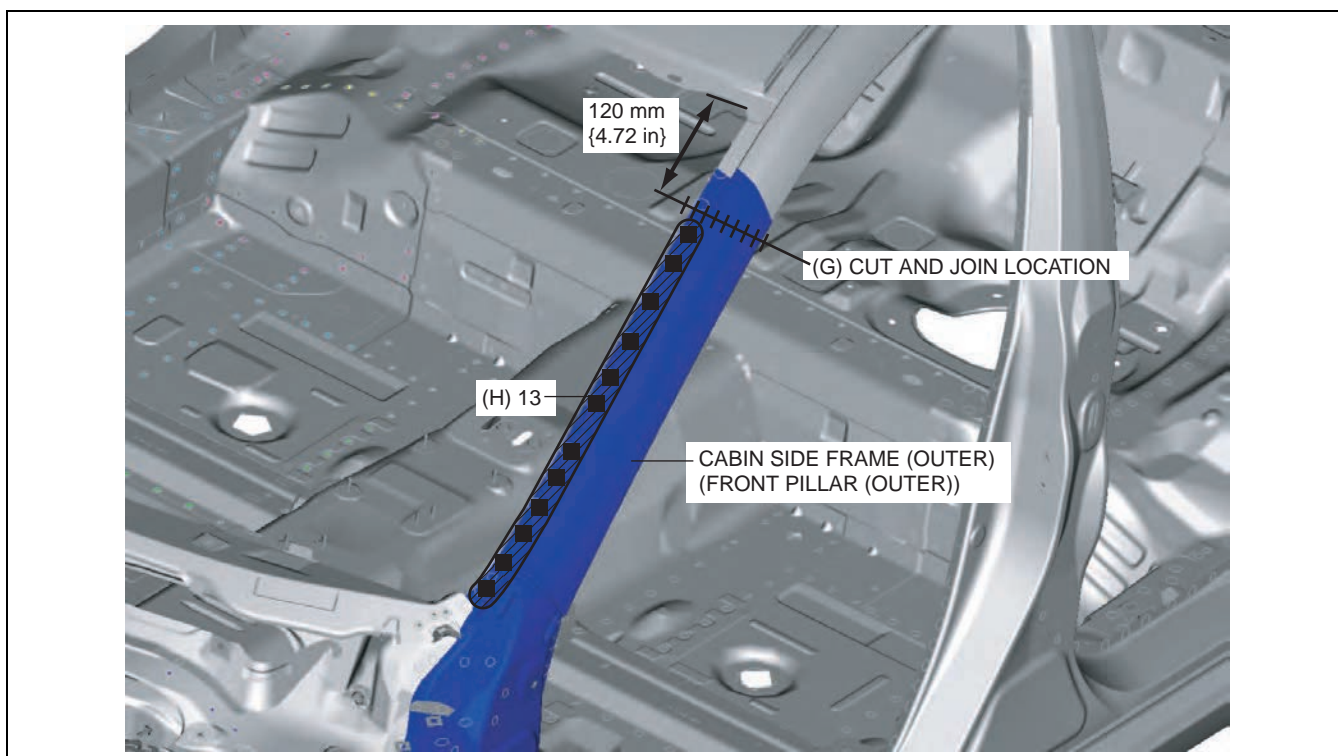
## BODY STRUCTURE [PANEL REPLACEMENT]

9. Plug weld the 10 locations indicated by (F) shown in the figure, then install the front pillar reinforcement.



09-80B

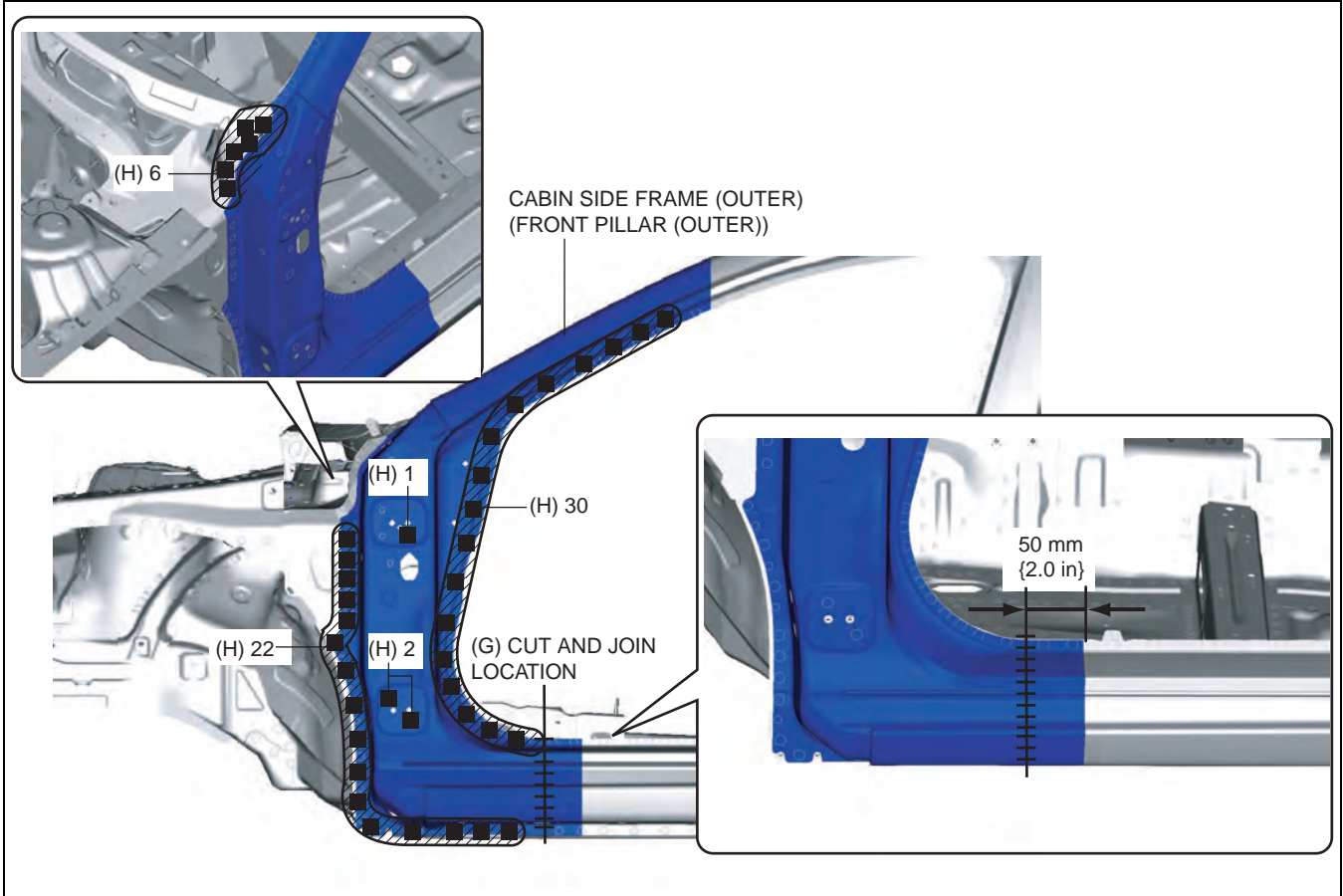
10. Cut and join the 2 locations indicated by (G) shown in the figure.



am6zzb0000039

## BODY STRUCTURE [PANEL REPLACEMENT]

11. Plug weld the 74 locations indicated by (H) shown in the figure, then install the cabin side frame (outer).

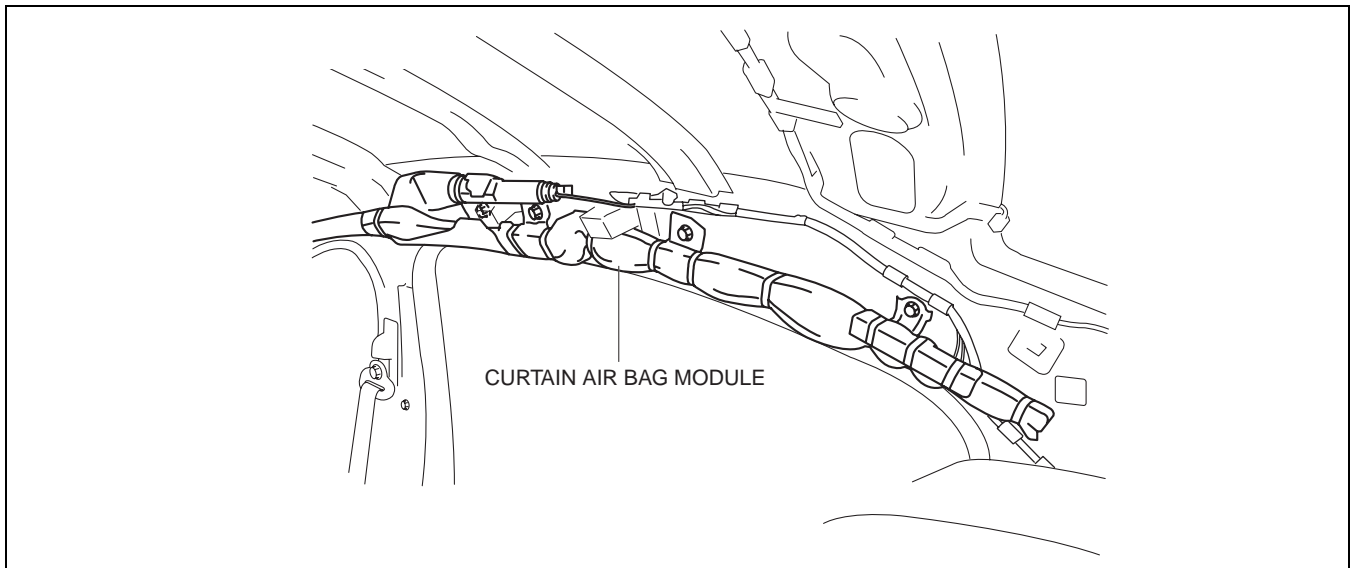


am6zzb000051



## BODY STRUCTURE [PANEL REPLACEMENT]

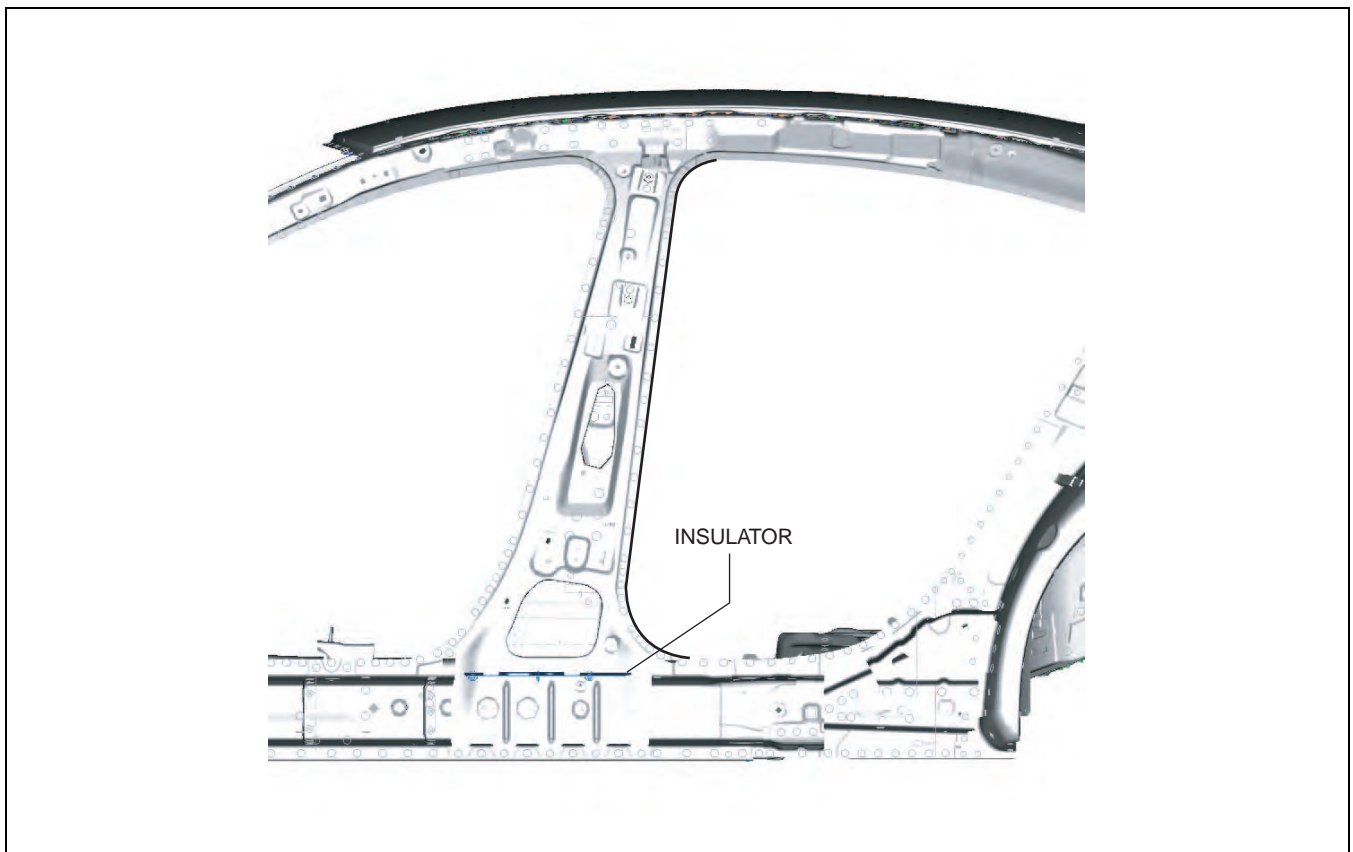
Rear-side



am6xub000009

### Caution

- Avoid cutting with a blowtorch or similar tools as the insulator (shaded area) is flammable.

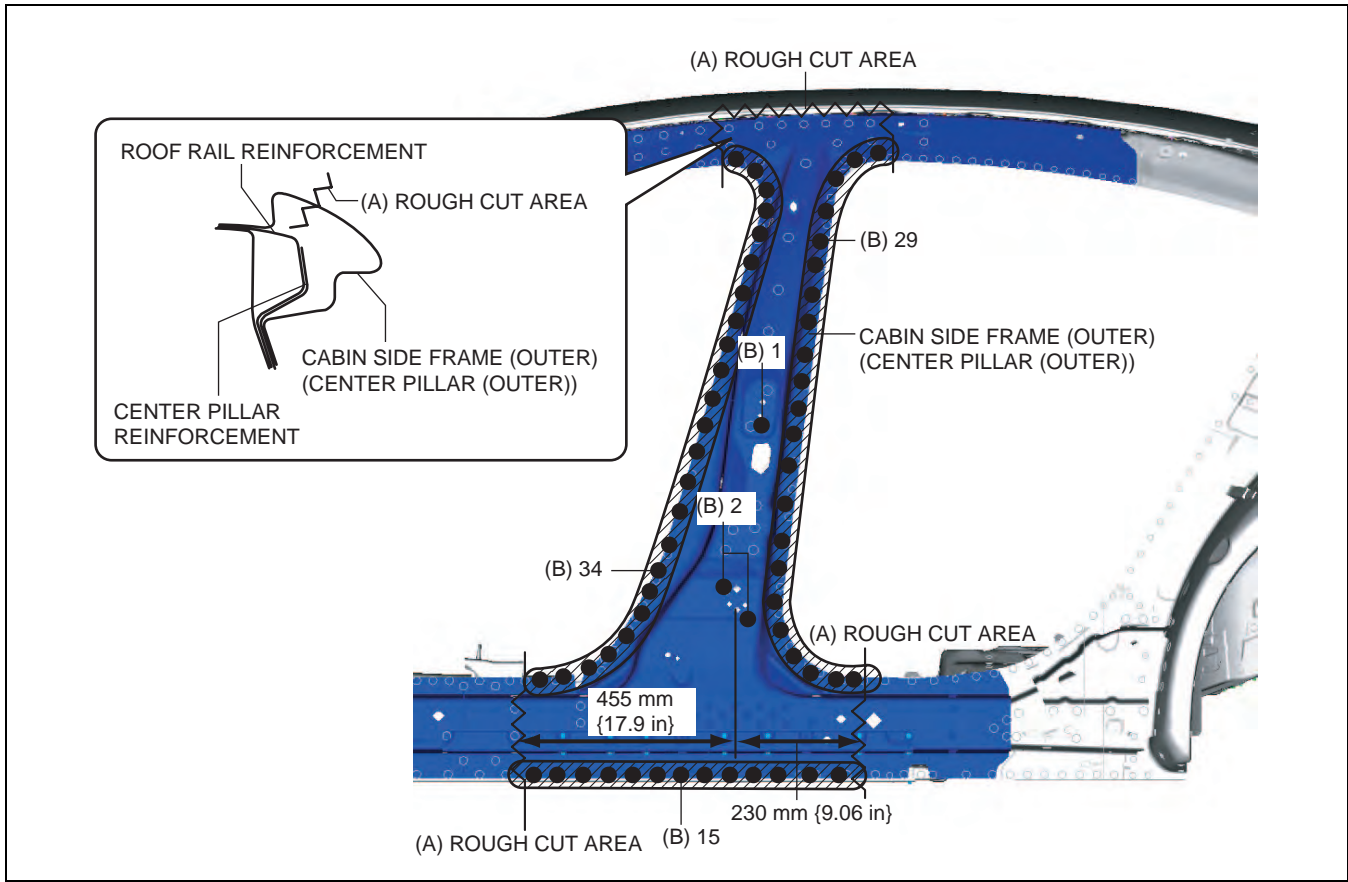


am6zzb0000039

1. Rough cut the 3 locations indicated by (A) shown in the figure.

## BODY STRUCTURE [PANEL REPLACEMENT]

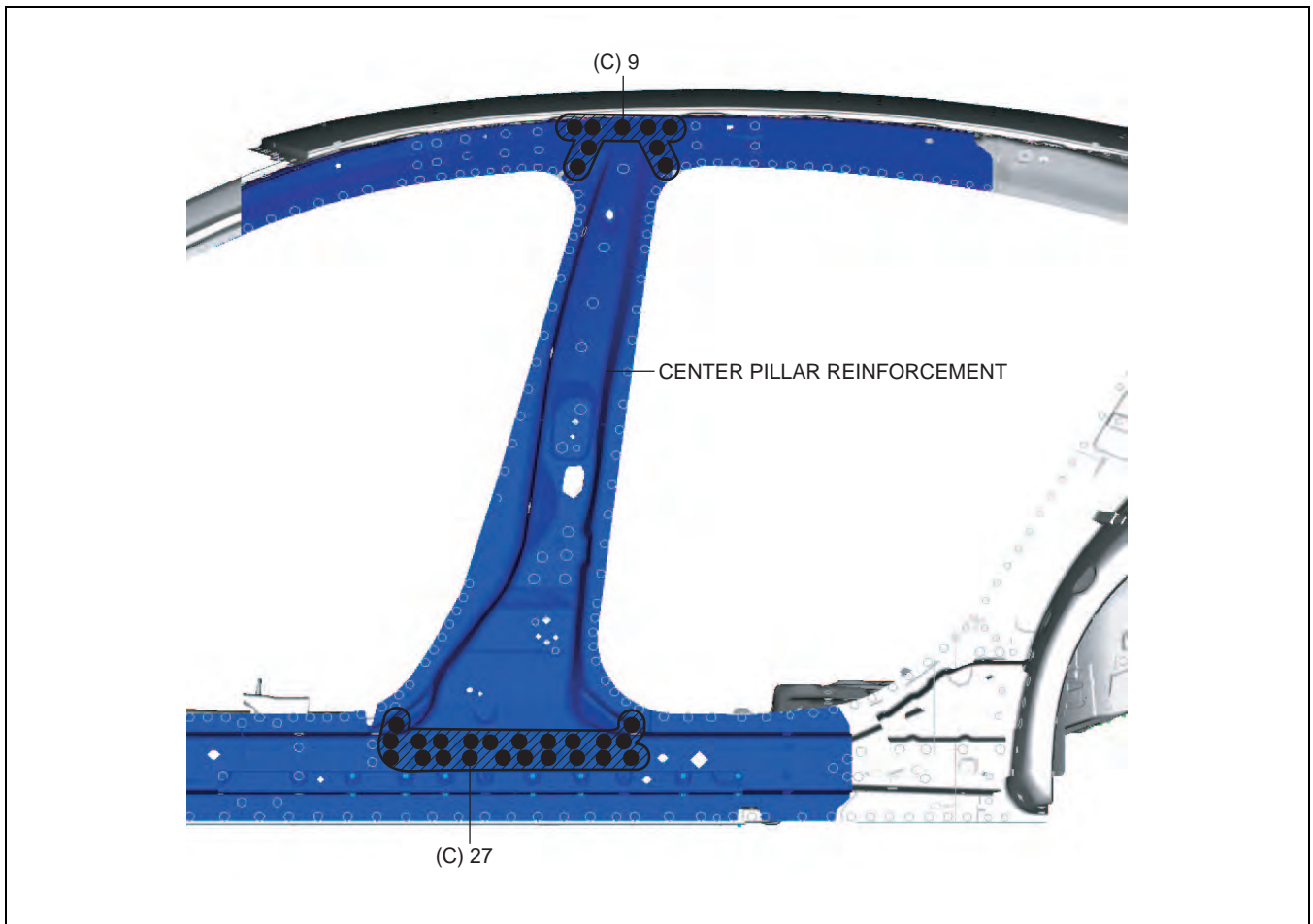
2. Drill the 81 locations indicated by (B) shown in the figure, then remove the cabin side frame (outer) (center pillar (outer)).



09-80B

3. Drill the 36 locations indicated by (C) shown in the figure, then remove the center pillar reinforcement.

## BODY STRUCTURE [PANEL REPLACEMENT]

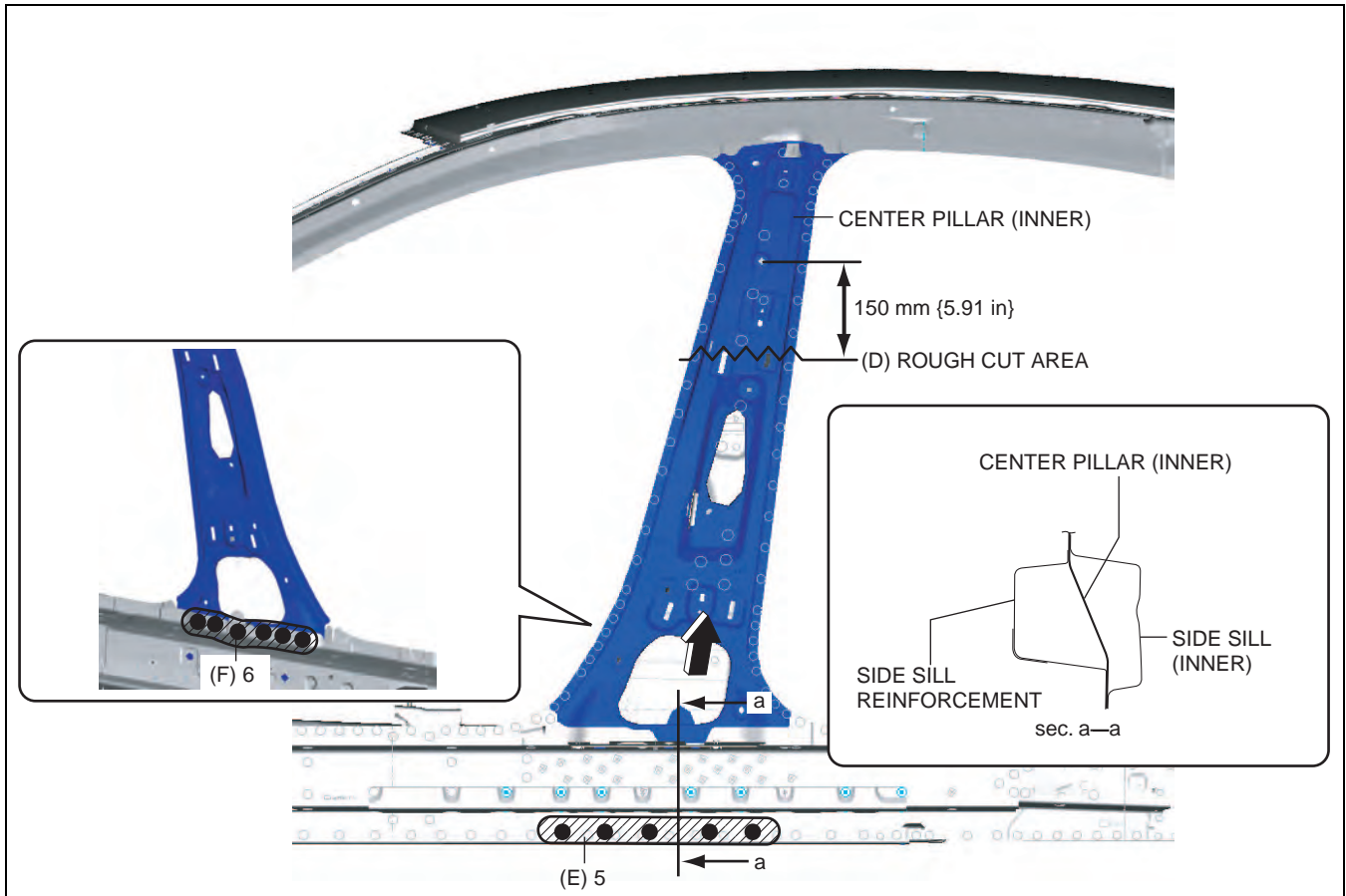


am6xub000009

4. Rough cut the location (D) shown in the figure.
5. Drill the 5 locations indicated by (E) shown in the figure.
6. Drill the 6 locations indicated by (F) from the room side shown in the figure.

## BODY STRUCTURE [PANEL REPLACEMENT]

7. Pull the center pillar (inner) in the direction of arrow shown in the figure, then remove it from between the side sill (inner) and side sill reinforcement.



09-80B

am6zzb0000039

# BODY STRUCTURE [PANEL REPLACEMENT]

## CENTER PILLAR INSTALLATION [PANEL REPLACEMENT]

id098008744000

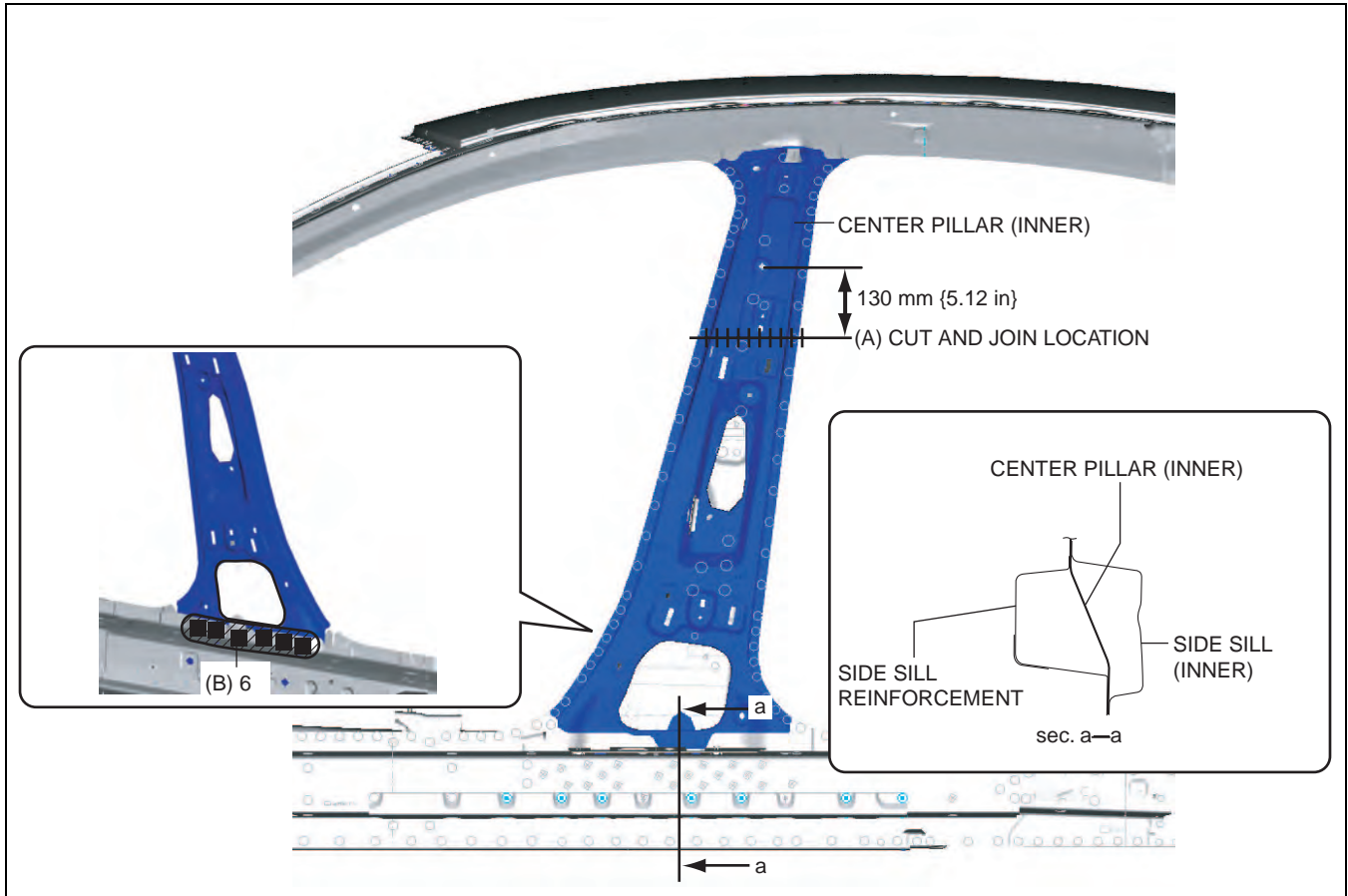
### Symbol Mark

SYMBOL MARK	MEANING
■	PLUG WELDING (CO <sub>2</sub> ARC WELDING)
—     —	CONTINUOUS CO <sub>2</sub> ARC WELDING (CUT-AND-JOIN LOCATION)

am6zzb0000039

### Installation Procedure

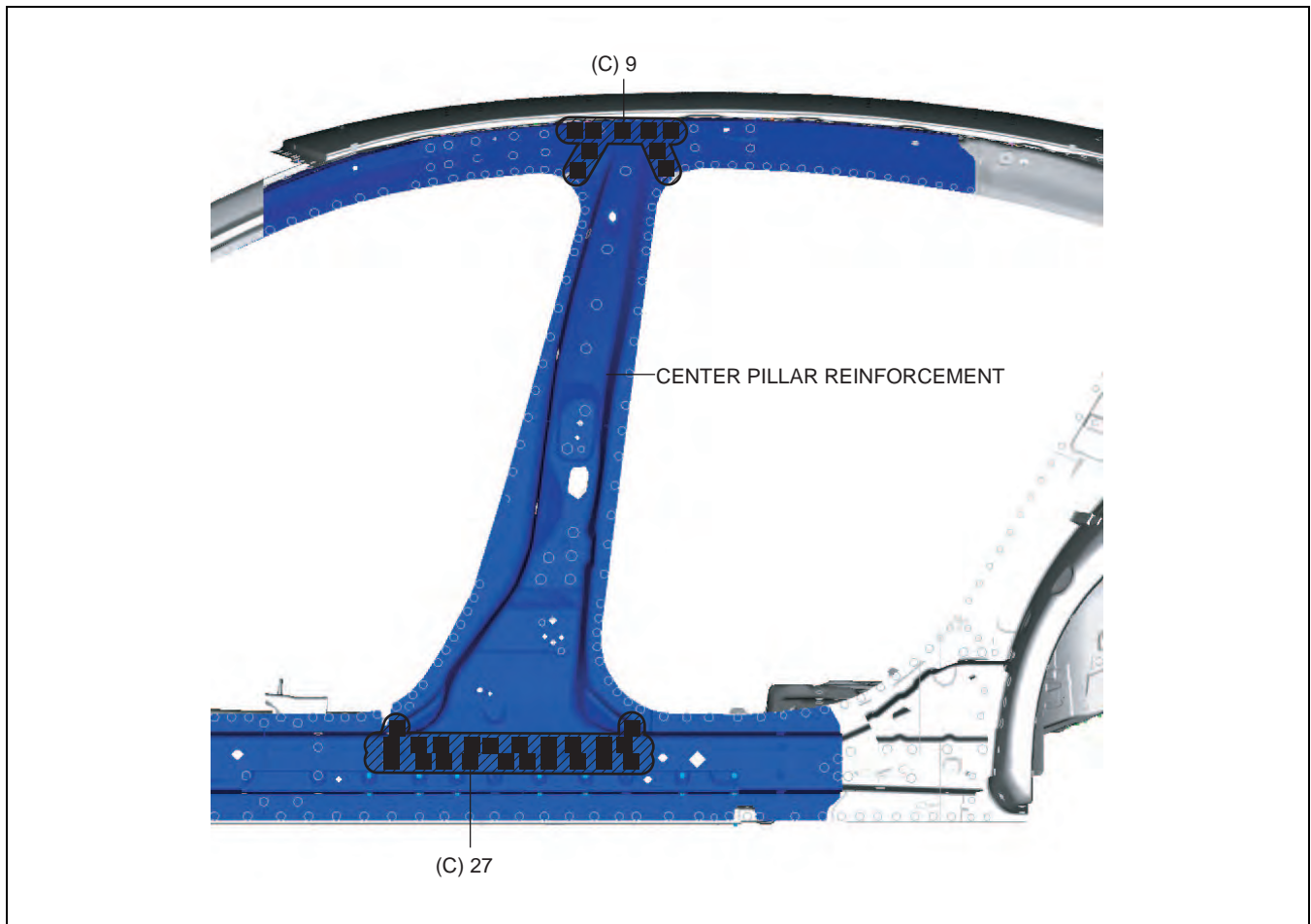
1. When installing new parts, measure and adjust the body as necessary to conform with standard dimensions.
2. Drill holes for the plug welding before installing the new parts.
3. After temporarily installing new parts, make sure the related parts fit properly.
4. Insert the end of the center pillar (inner) shown in the figure, between the side sill (inner) and side sill reinforcement.
5. Cut and join location indicated by (A) shown in the figure.
6. Plug weld the 6 locations indicated by (B) from the room side shown in the figure, then install the center pillar (inner).



am6zzb0000040

7. Plug weld the 36 locations indicated by (C) shown in the figure, then install the center pillar reinforcement.

## BODY STRUCTURE [PANEL REPLACEMENT]

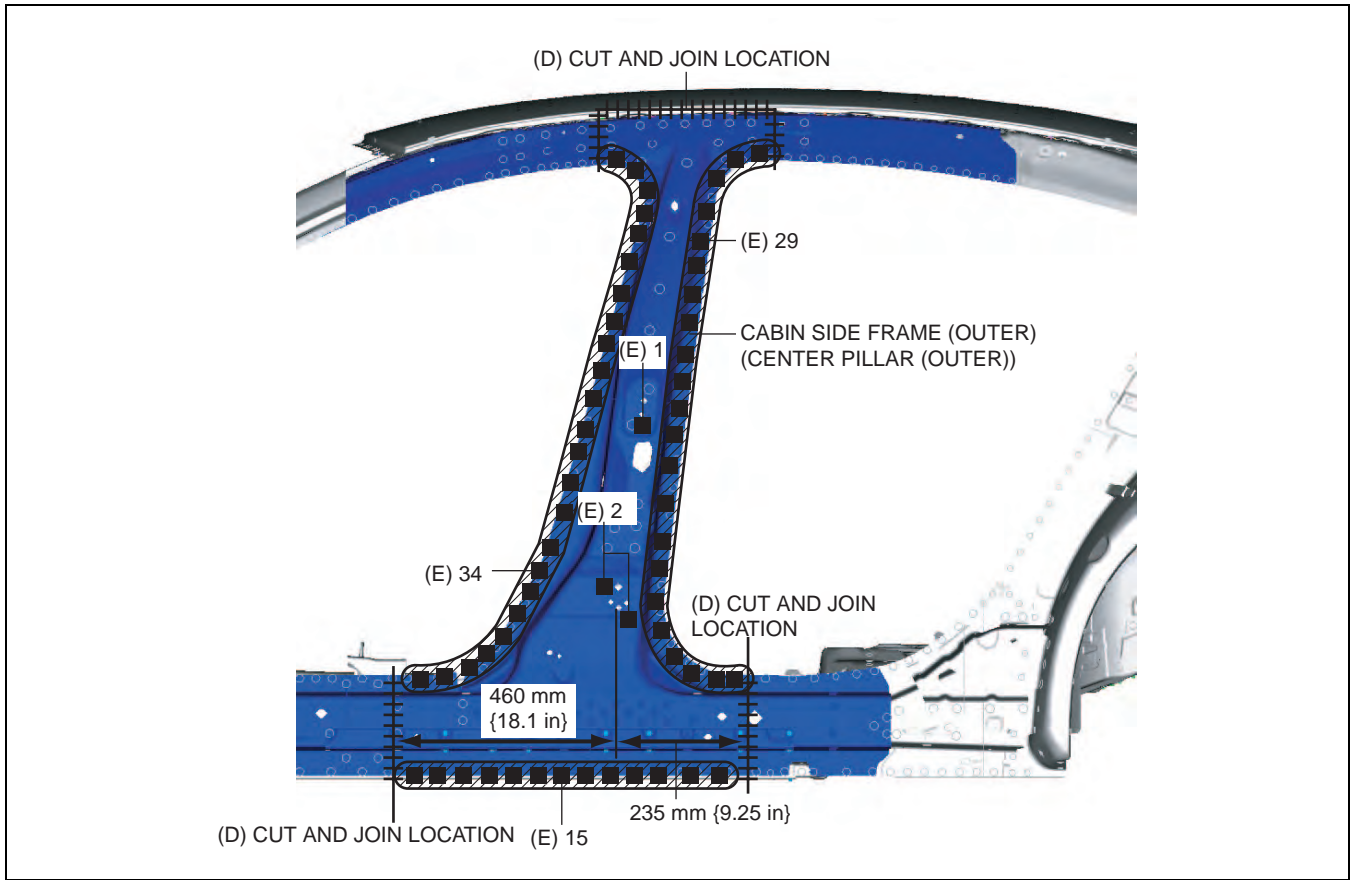


09-80B

am6xub0000011

8. Cut and join the 3 locations indicated by (D) shown in the figure.
9. Plug weld the 81 locations indicated by (E) shown in the figure, then install the cabin side frame (outer) (center pillar (outer)).

# BODY STRUCTURE [PANEL REPLACEMENT]





am6xub0000011

# BODY STRUCTURE [PANEL REPLACEMENT]

## SIDE SILL PANEL REMOVAL [PANEL REPLACEMENT]

id098008615300

### Symbol Mark

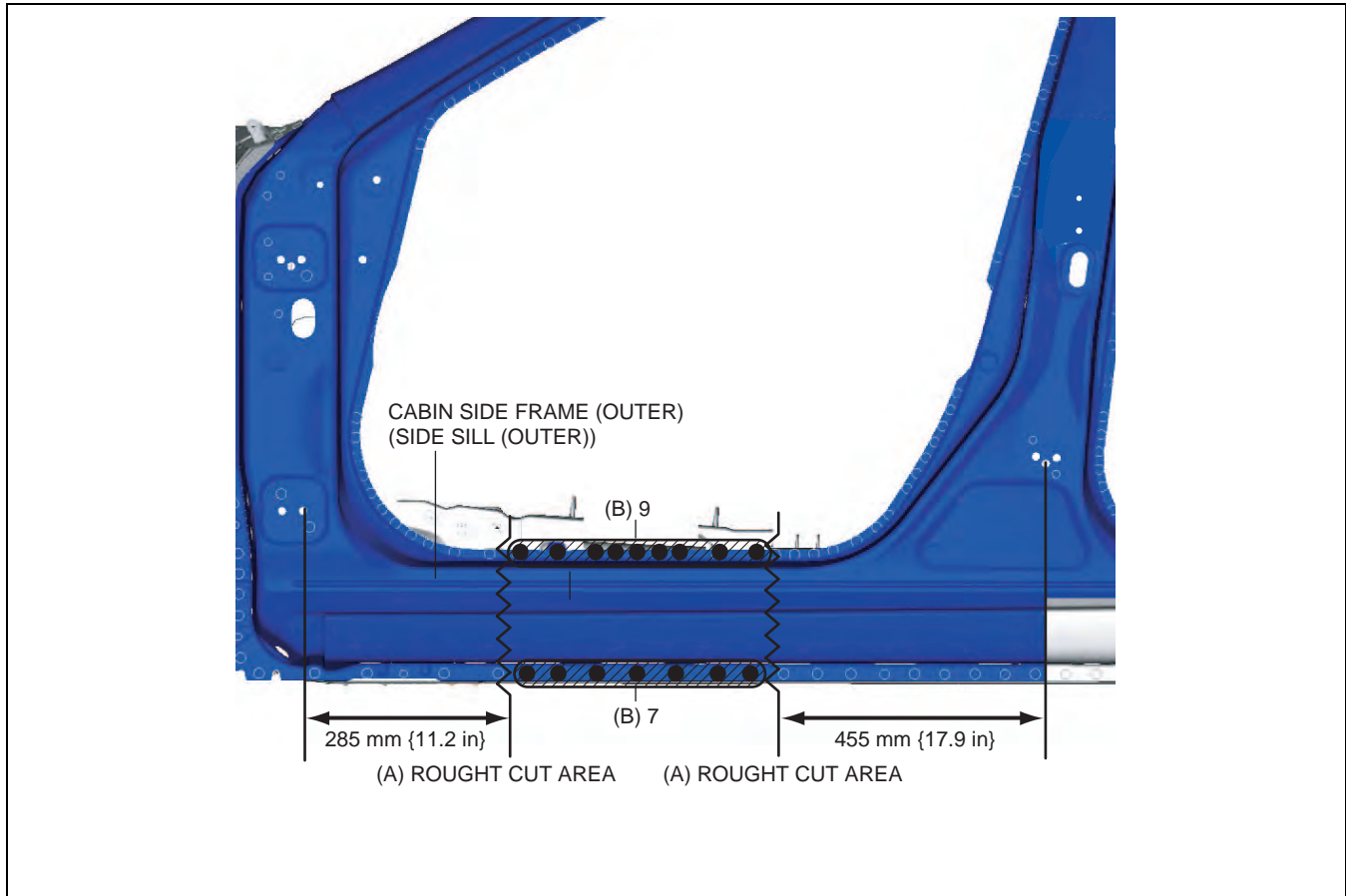
SYMBOL MARK	MEANING
	SPOT WELDING
	ROUGH CUT LOCATION

am6zzb0000040

09-80B

### Removal Procedure Side Sill (Front-side)

1. Rough cut the 2 locations indicated by (A) shown in the figure.
2. Drill the 16 locations indicated by (B) shown in the figure.



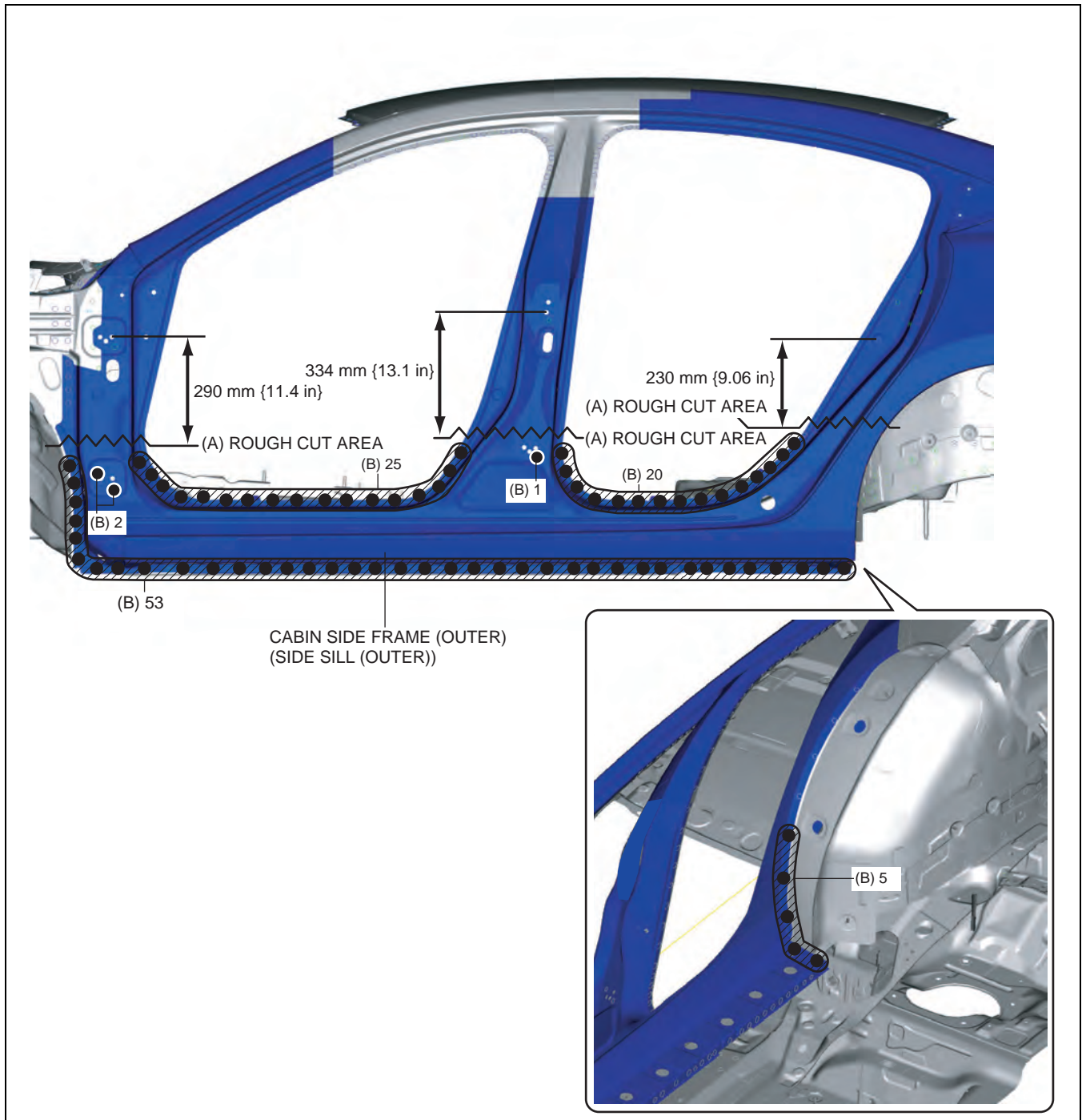
am6zzb0000040

3. Remove the cabin side frame (outer) (side sill (outer)).

## BODY STRUCTURE [PANEL REPLACEMENT]

### Side Sill (Component)

1. Rough cut the 3 locations indicated by (A) shown in the figure.
2. Drill the 106 locations indicated by (B) shown in the figure, remove the cabin side frame (outer) (side sill (outer)).

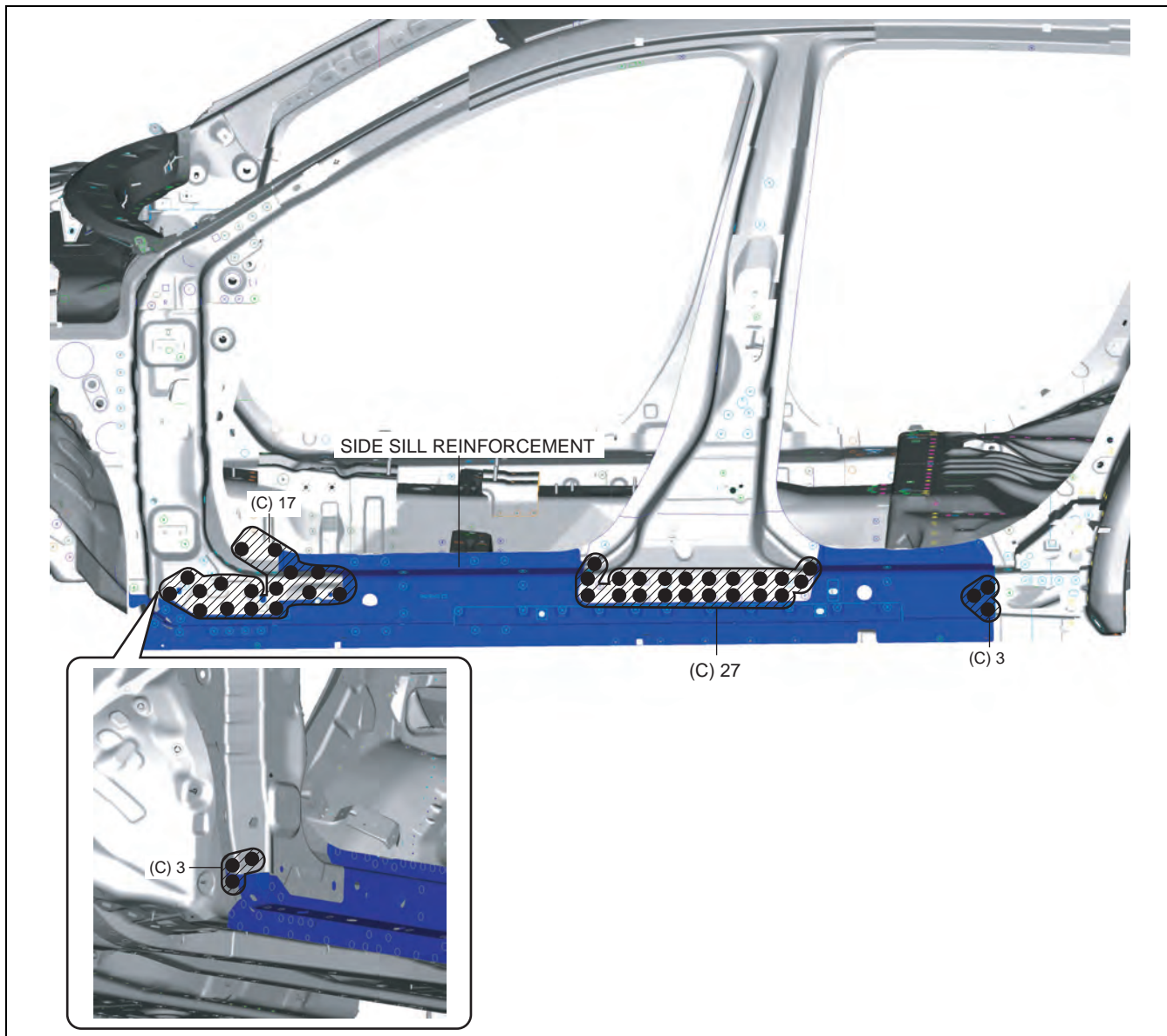


am6xub0000010

3. Drill the 50 locations indicated by (C) shown in the figure.

## BODY STRUCTURE [PANEL REPLACEMENT]

4. Pull the side sill reinforcement from the side sill (inner), hinge reinforcement and center pillar reinforcement, and then remove it.



09-80B

am6xub0000010

# BODY STRUCTURE [PANEL REPLACEMENT]

## SIDE SILL PANEL INSTALLATION [PANEL REPLACEMENT]

id098008615200

### Symbol Mark

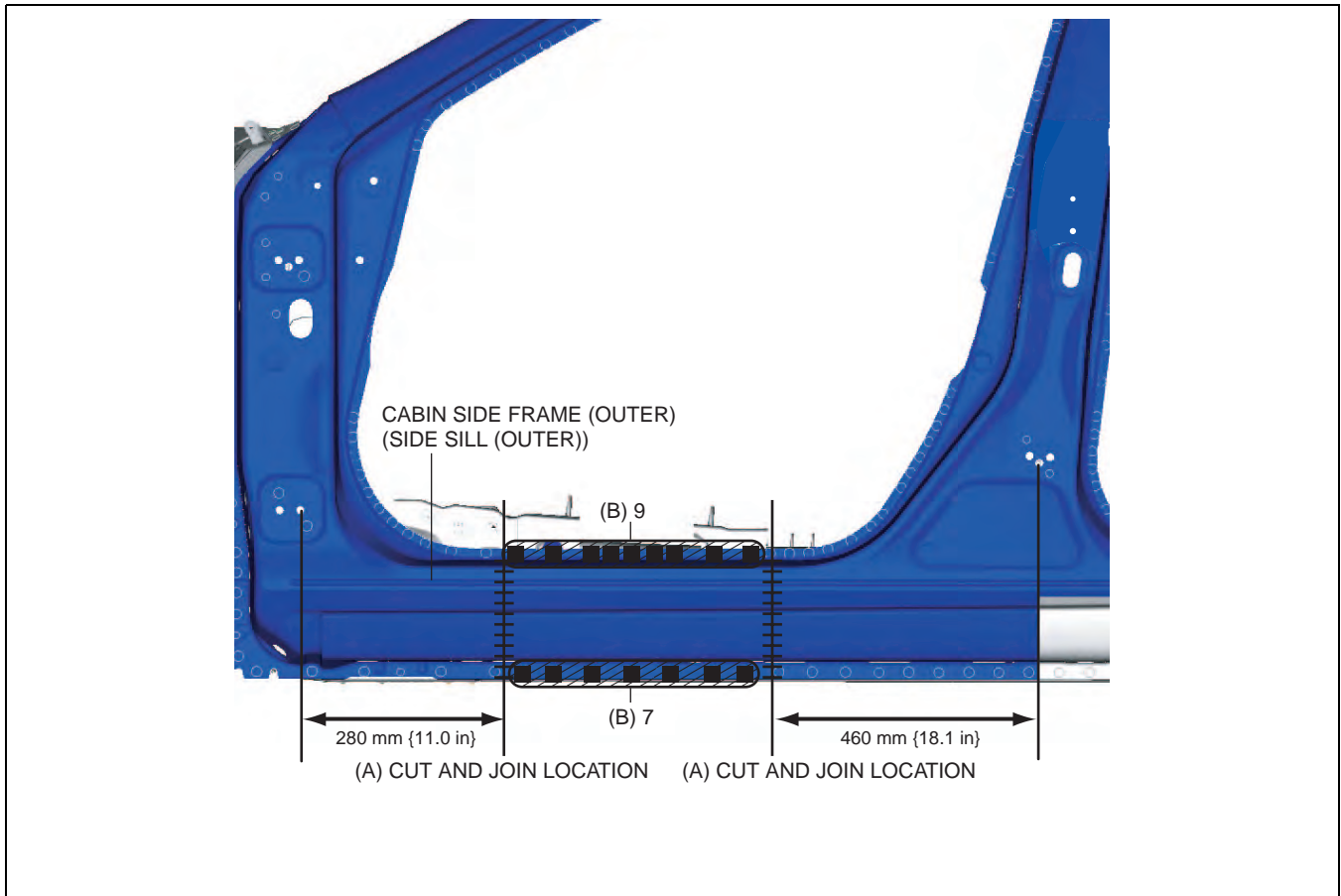
SYMBOL MARK	MEANING
●	SPOT WELDING
■	PLUG WELDING (CO <sub>2</sub> ARC WELDING)
—     —	CONTINUOUS CO <sub>2</sub> ARC WELDING (CUT-AND-JOIN LOCATION)

am6zzb0000040

### Installation Procedure

#### Side Sill (Front-side)

1. When installing new parts, measure and adjust the body as necessary to conform with standard dimensions.
2. Drill holes for the plug welding before installing the new parts.
3. After temporarily installing new parts, make sure the related parts fit properly.
4. Cut and join the locations indicated by (A) shown in the figure.
5. Plug weld the 16 locations indicated by (B) shown in the figure, then install the cabin side frame (outer) (side sill (outer)).

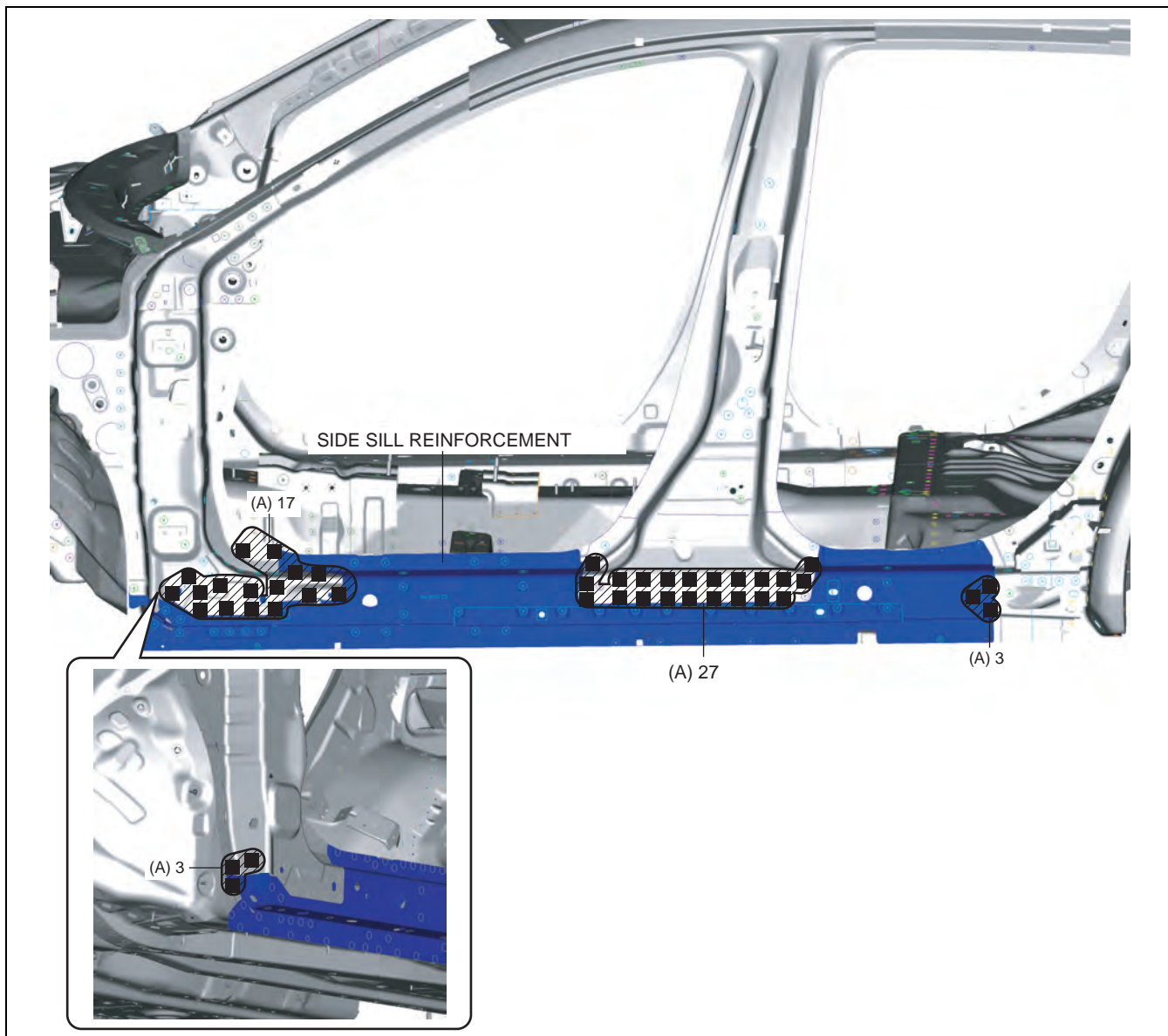


am6zzb0000040

## BODY STRUCTURE [PANEL REPLACEMENT]

### Side Sill (component)

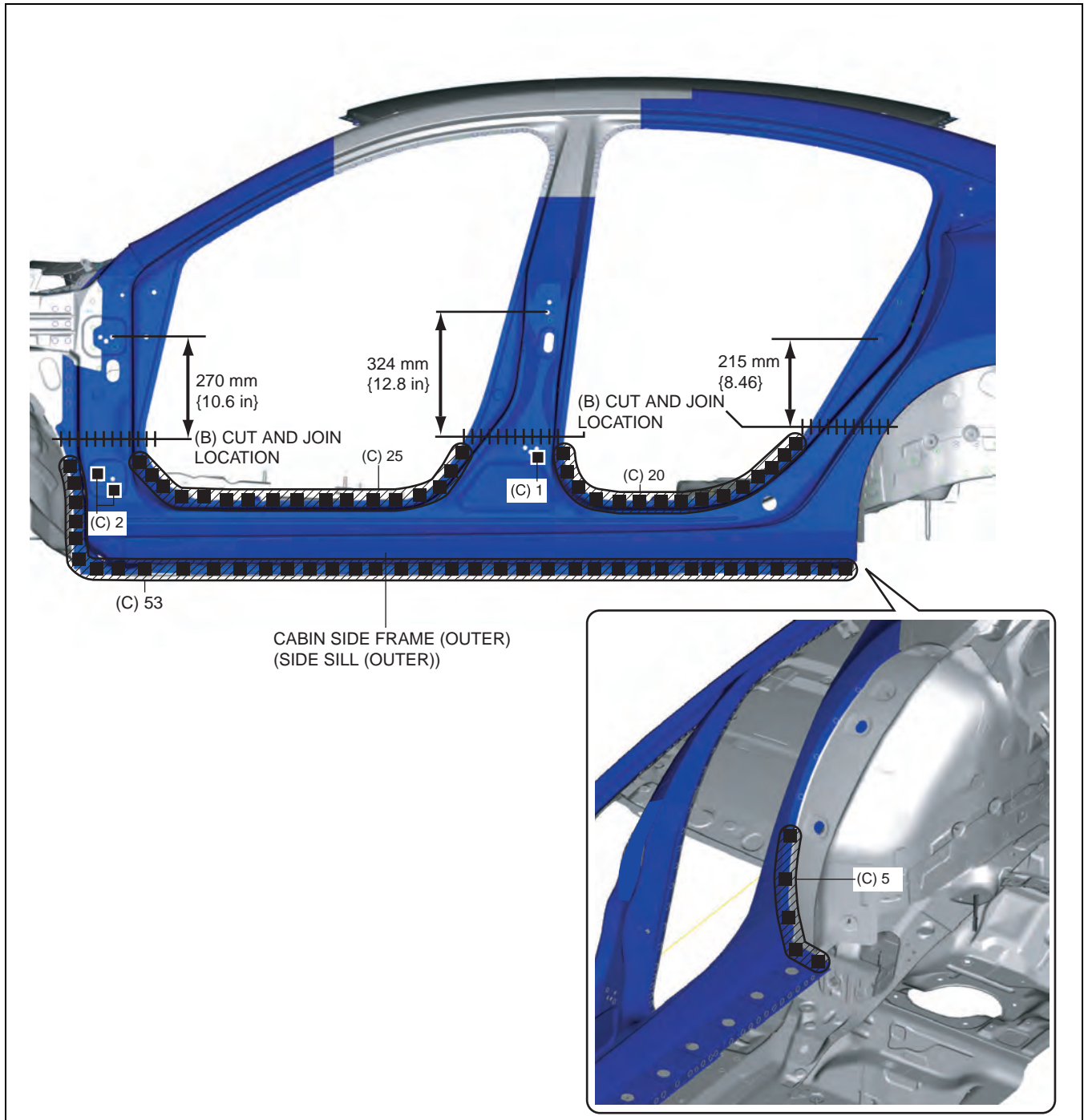
1. When installing new parts, measure and adjust the body as necessary to conform with standard dimensions.
2. Drill holes for the plug welding before installing the new parts.
3. After temporarily installing new parts, make sure the related parts fit properly.
4. Plug weld the 50 locations indicated by (A) shown in the figure, then install the side sill reinforcement.



5. Cut and join the 3 locations indicated by (B) shown in the figure.

## BODY STRUCTURE [PANEL REPLACEMENT]

6. Plug weld the 106 locations indicated by (C) shown in the figure, then install the cabin side frame (outer) (side sill (outer)).





am6xub0000010

# BODY STRUCTURE [PANEL REPLACEMENT]

## REAR FENDER PANEL REMOVAL [PANEL REPLACEMENT]

id098008744900

### Symbol Mark

SYMBOL MARK	MEANING
	SPOT WELDING
	ROUGH CUT LOCATION

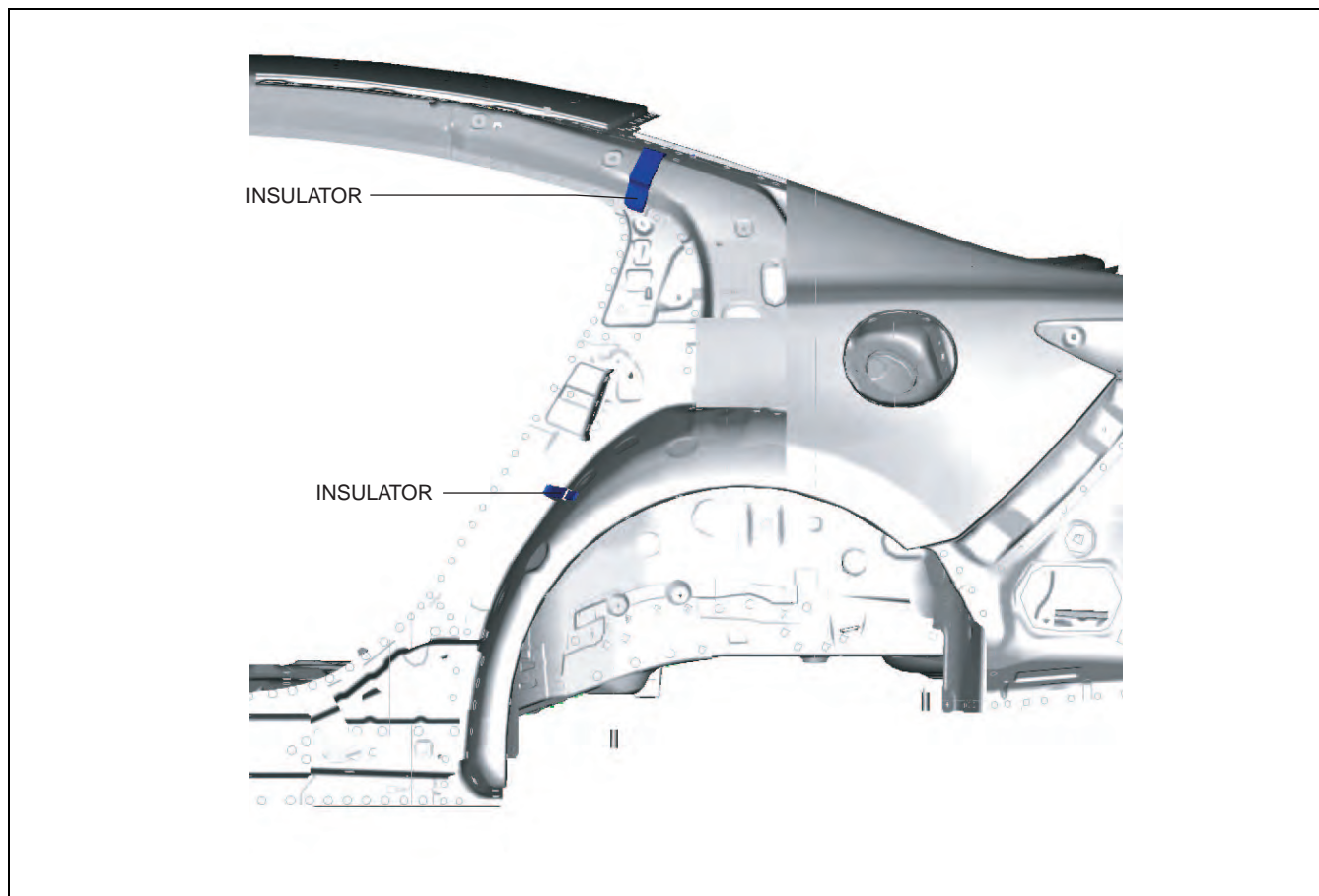
am6zzb0000041

09-80B

### Removal Procedure

#### Caution

- Avoid cutting with a blowtorch or similar tools as the insulator (shaded area) is flammable.

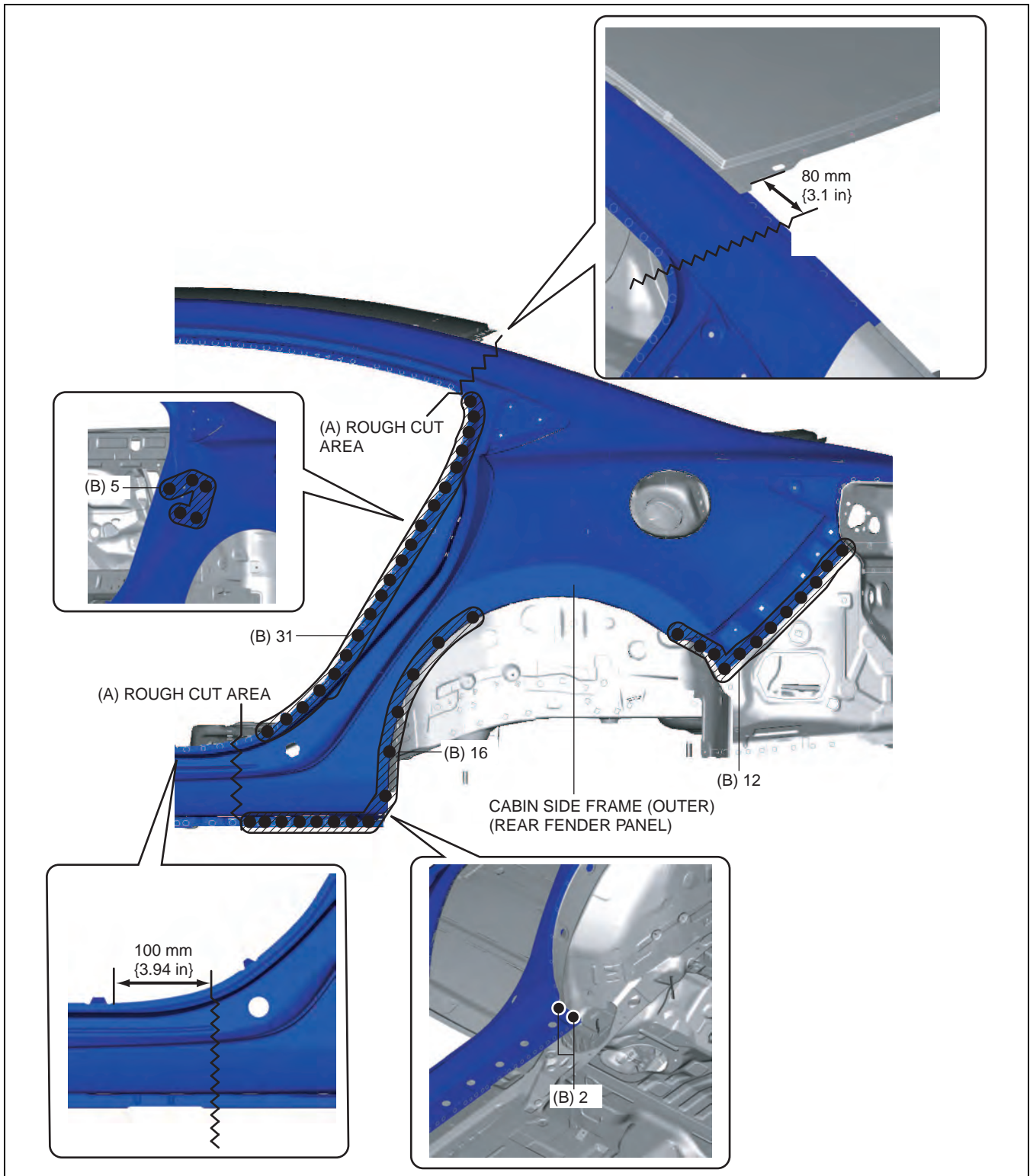


am6zzb0000041

1. Rough cut the 2 locations indicated by (A) shown in the figure.

## BODY STRUCTURE [PANEL REPLACEMENT]

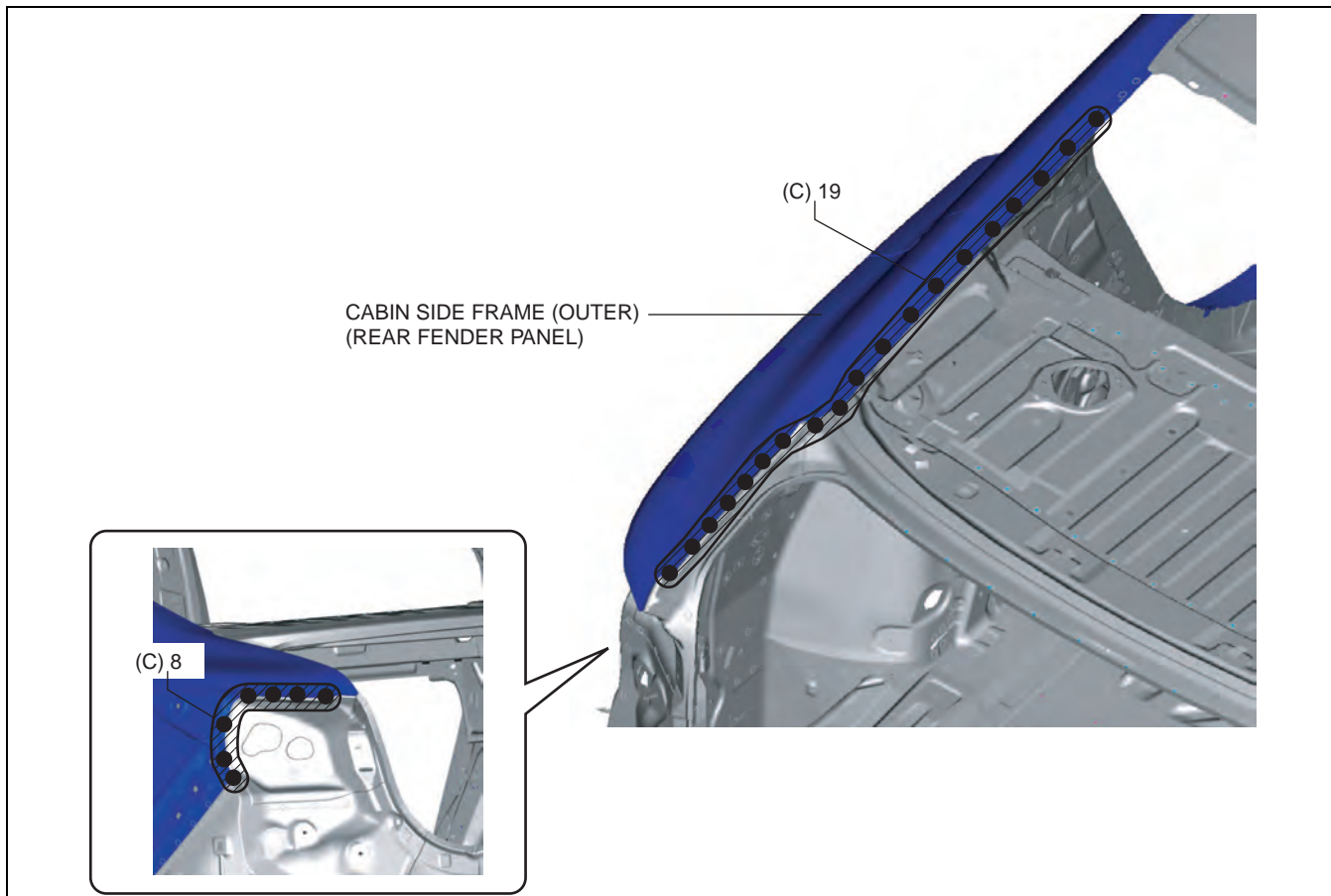
2. Drill the 66 locations indicated by (B) shown in the figure.



am6zzb000041

3. Drill the 27 locations indicated by (C) shown in the figure.

## BODY STRUCTURE [PANEL REPLACEMENT]



09-80B

am6zzb0000041

4. Remove the cabin side frame (outer) (rear fender panel).

# BODY STRUCTURE [PANEL REPLACEMENT]

## REAR FENDER PANEL INSTALLATION [PANEL REPLACEMENT]

id098008745000

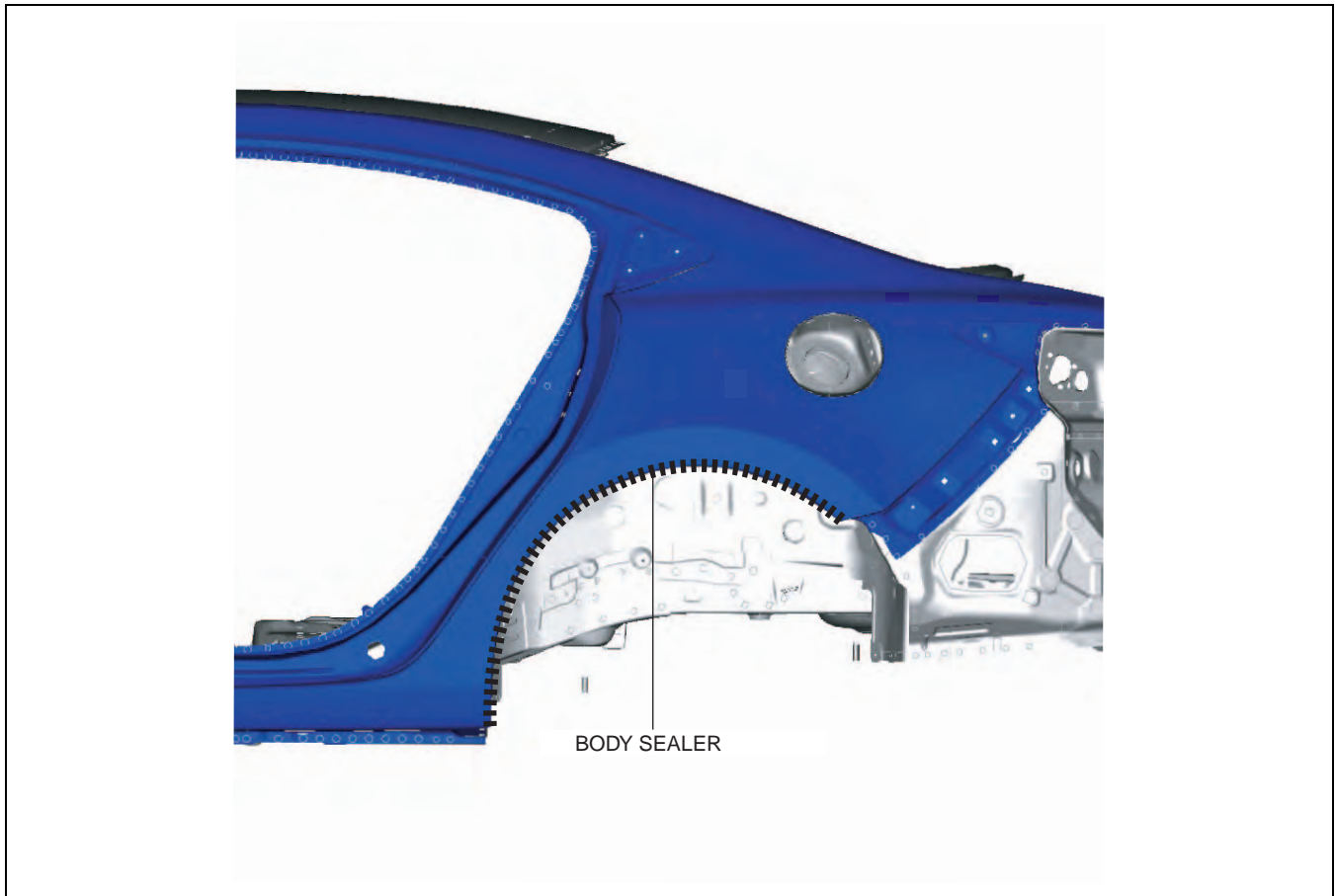
### Symbol Mark

SYMBOL MARK	MEANING
■	PLUG WELDING (CO <sub>2</sub> ARC WELDING)
—     —	CONTINUOUS CO <sub>2</sub> ARC WELDING (CUT-AND-JOIN LOCATION)

am6zzb0000041

### Installation Procedure

1. When installing new parts, measure and adjust the body as necessary to conform with standard dimensions.
2. Drill holes for the plug welding before installing the new parts.
3. After temporarily installing new parts, make sure the related parts fit properly.
4. Before installing new parts, apply body sealer to the wheel arch line.

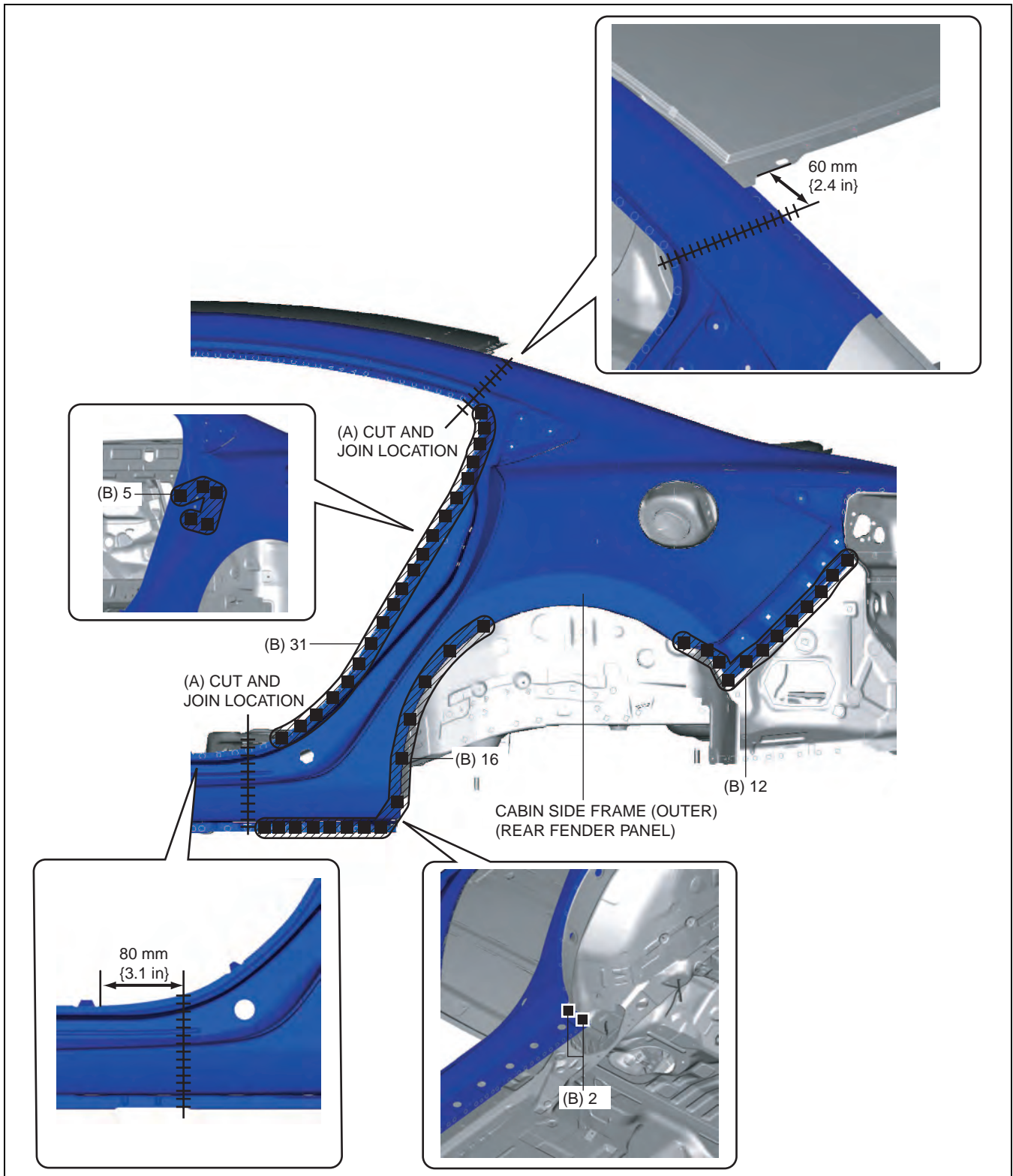


am6zzb0000041

5. Cut and join the 2 locations indicated by (A) shown in the figure.

## BODY STRUCTURE [PANEL REPLACEMENT]

6. Plug weld the 66 locations indicated by (B) shown in the figure.

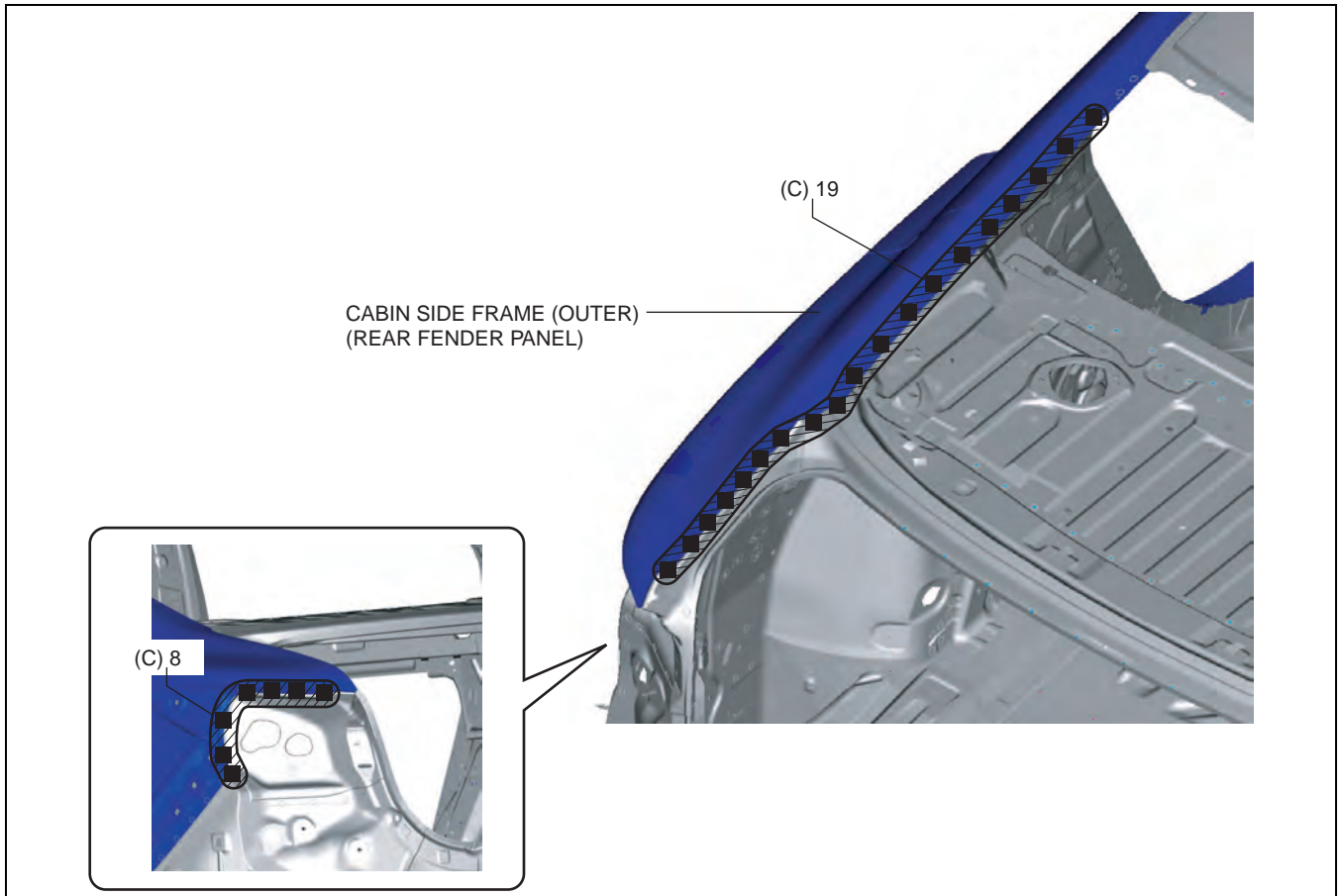


09-80B

am6zzb0000042

7. Plug weld the 27 locations indicated by (C) shown in the figure, then install the cabin side frame (rear fender panel).

# BODY STRUCTURE [PANEL REPLACEMENT]



am6zzb0000042

# BODY STRUCTURE [PANEL REPLACEMENT]

## REAR FENDER PANEL (LOWER) REMOVAL [PANEL REPLACEMENT]

id098008614300

### Symbol Mark

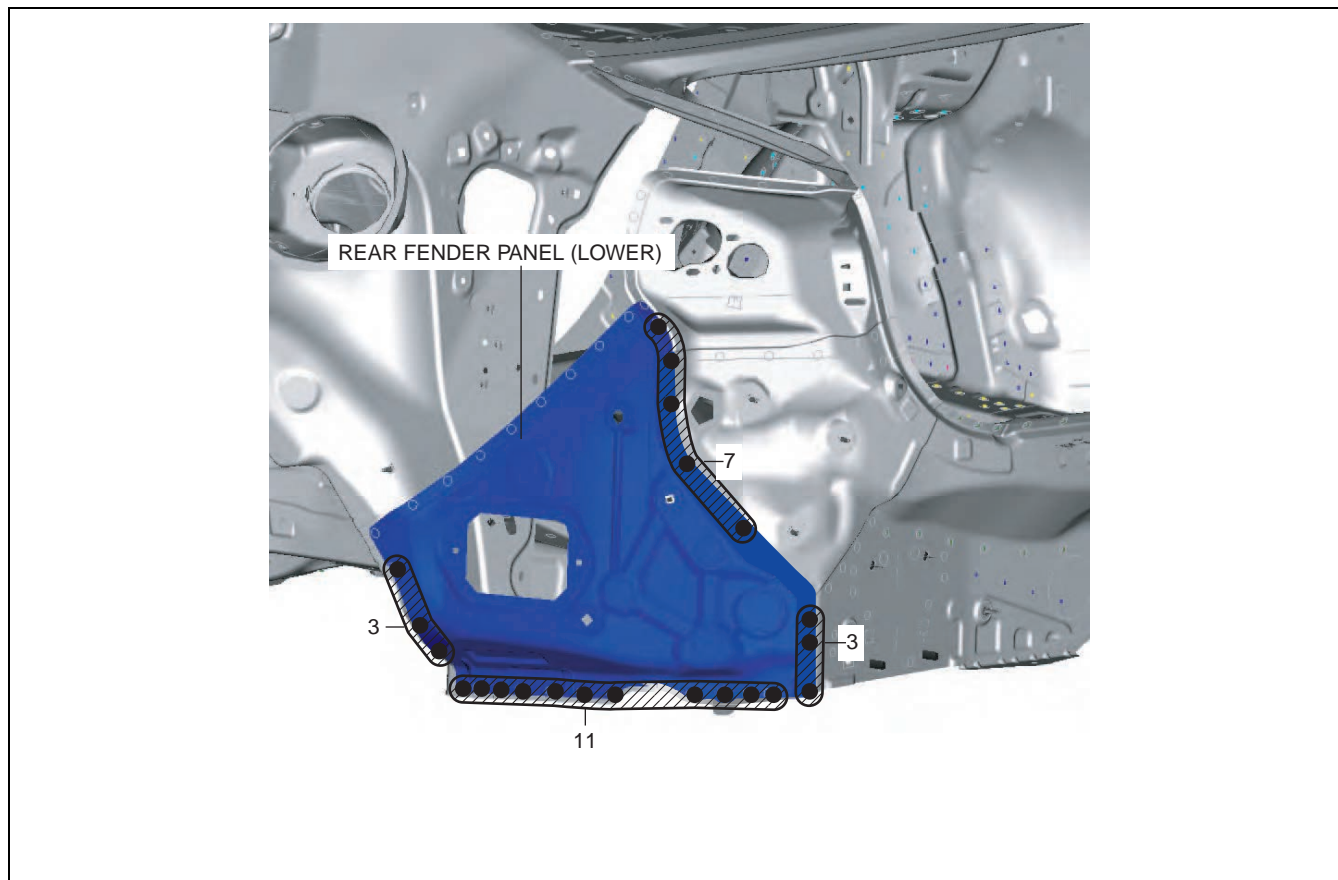
SYMBOL MARK	MEANING
●	SPOT WELDING

am6zzb0000042

### Removal Procedure

09-80B

1. Drill the 24 locations shown in the figure.



am6zzb0000042

2. Remove the rear fender panel (lower).

# BODY STRUCTURE [PANEL REPLACEMENT]

## REAR FENDER PANEL (LOWER) INSTALLATION [PANEL REPLACEMENT]

id098008614400

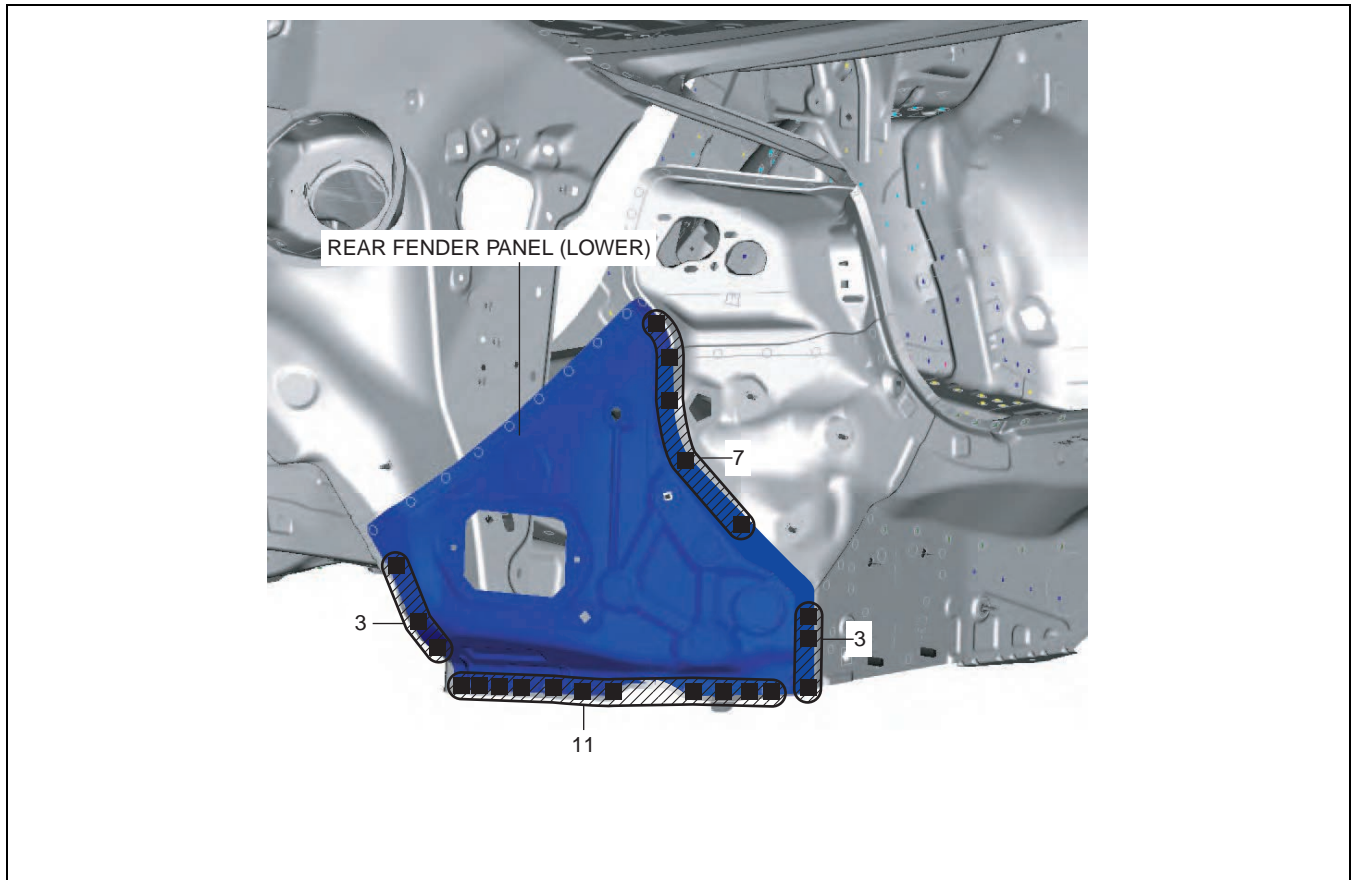
### Symbol Mark

SYMBOL MARK	MEANING
■	PLUG WELDING (CO <sub>2</sub> ARC WELDING)

am6zzb0000042

### Installation Procedure

1. When installing new parts, measure and adjust the body as necessary to conform with standard dimensions.
2. After temporarily installing new parts, make sure the related parts fit properly.
3. Plug weld the 24 locations shown in the figure, then install the rear fender panel (lower).



am6zzb0000042

# BODY STRUCTURE [PANEL REPLACEMENT]

## CORNER PLATE REMOVAL [PANEL REPLACEMENT]

id098008610400

### Symbol Mark

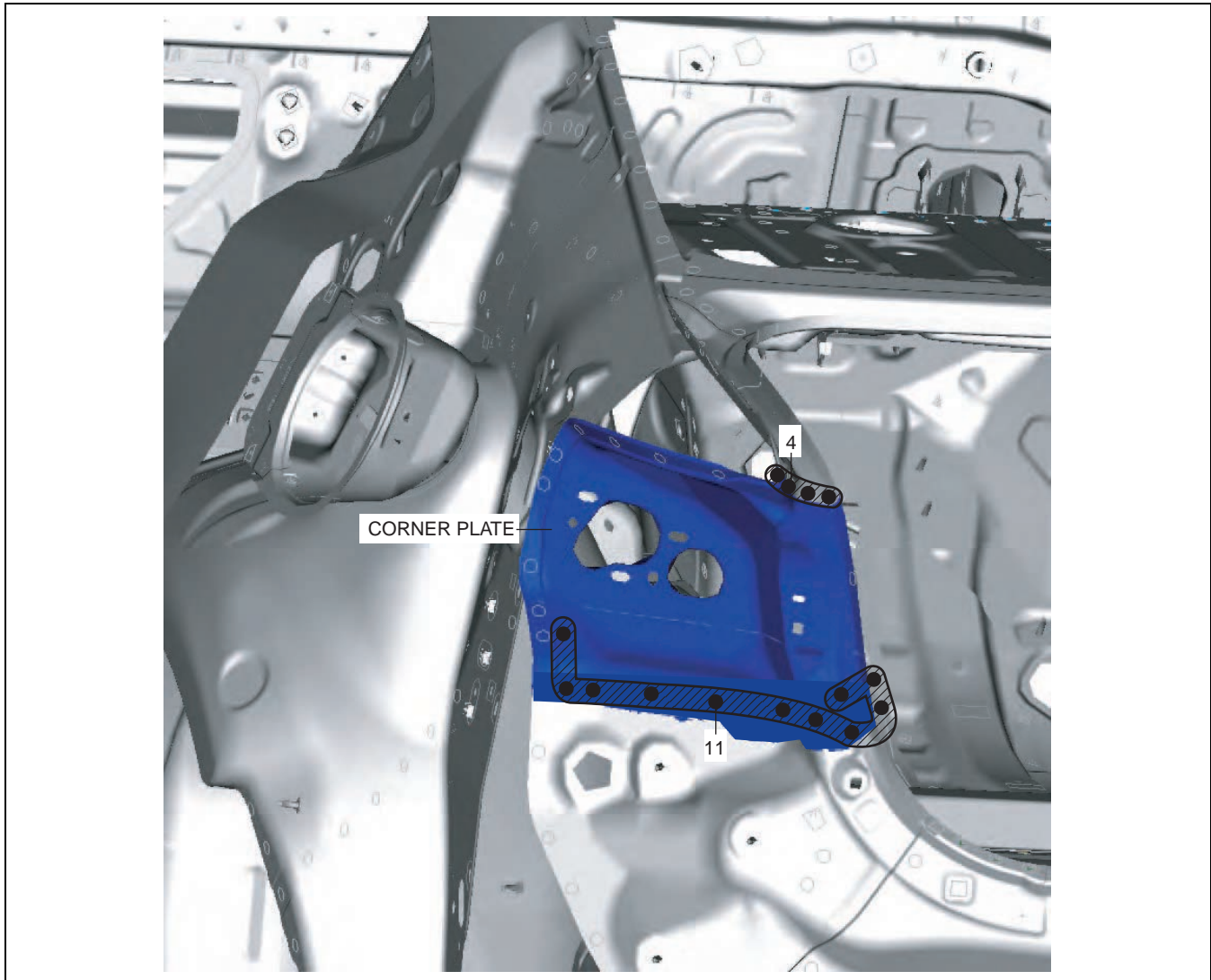
SYMBOL MARK	MEANING
●	SPOT WELDING

am6zzb0000043

### Removal Procedure

09-80B

1. Drill the 15 locations shown in the figure.



am6zzb0000043

2. Remove the corner plate.

# BODY STRUCTURE [PANEL REPLACEMENT]

## CORNER PLATE INSTALLATION [PANEL REPLACEMENT]

id098008610500

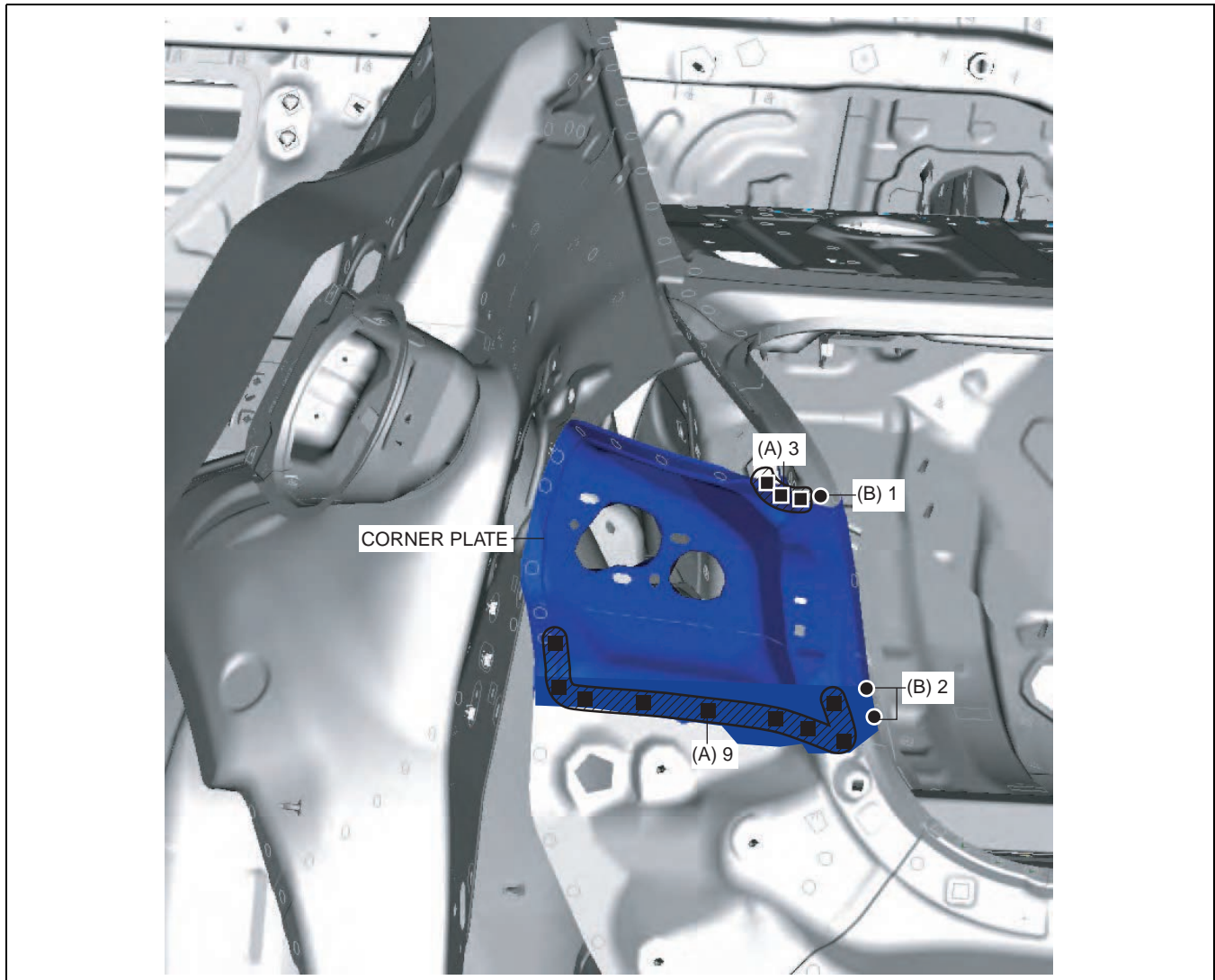
### Symbol Mark

SYMBOL MARK	MEANING
●	SPOT WELDING
■	PLUG WELDING (CO <sub>2</sub> ARC WELDING)

am6zzb0000043

### Installation Procedure

1. When installing new parts, measure and adjust the body as necessary to conform with standard dimensions.
2. Drill holes for the plug welding before installing the new parts.
3. After temporarily installing new parts, make sure the related parts fit properly.
4. Plug weld the 12 locations indicated by (A) shown in the figure.
5. Spot weld the 3 locations indicated by (B) shown in the figure, then install the corner plate.



am6zzb0000043

# BODY STRUCTURE [PANEL REPLACEMENT]

## REAR FENDER RAIN RAIL REMOVAL [PANEL REPLACEMENT]

id098008902200

### Symbol Mark

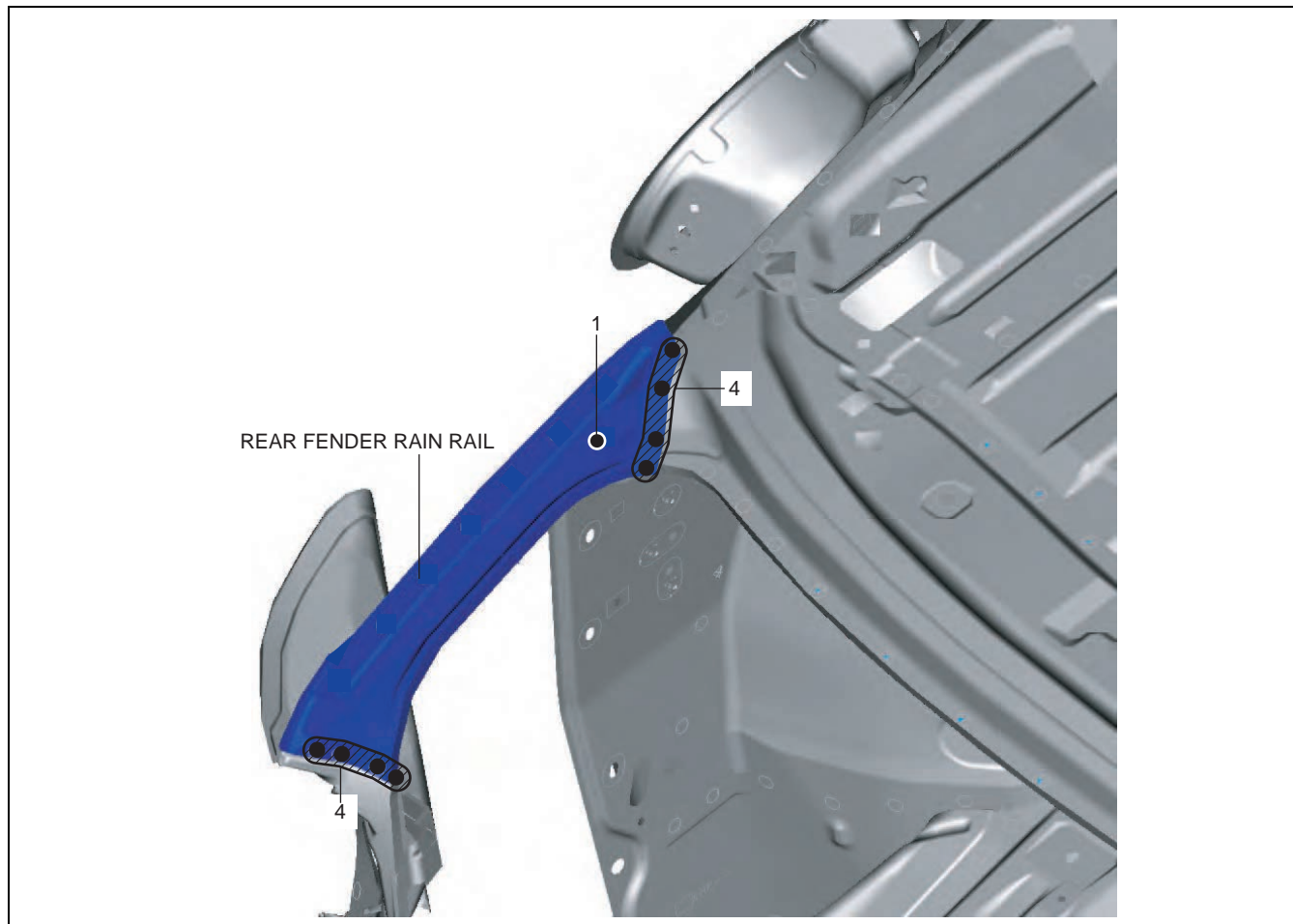
SYMBOL MARK	MEANING
●	SPOT WELDING

am6zzb0000044

### Removal Procedure

09-80B

1. Drill the 9 locations shown in the figure.



am6zzb0000044

2. Remove the rear fender rain rail.

# BODY STRUCTURE [PANEL REPLACEMENT]

## REAR FENDER RAIN RAIL INSTALLATION [PANEL REPLACEMENT]

id098008902300

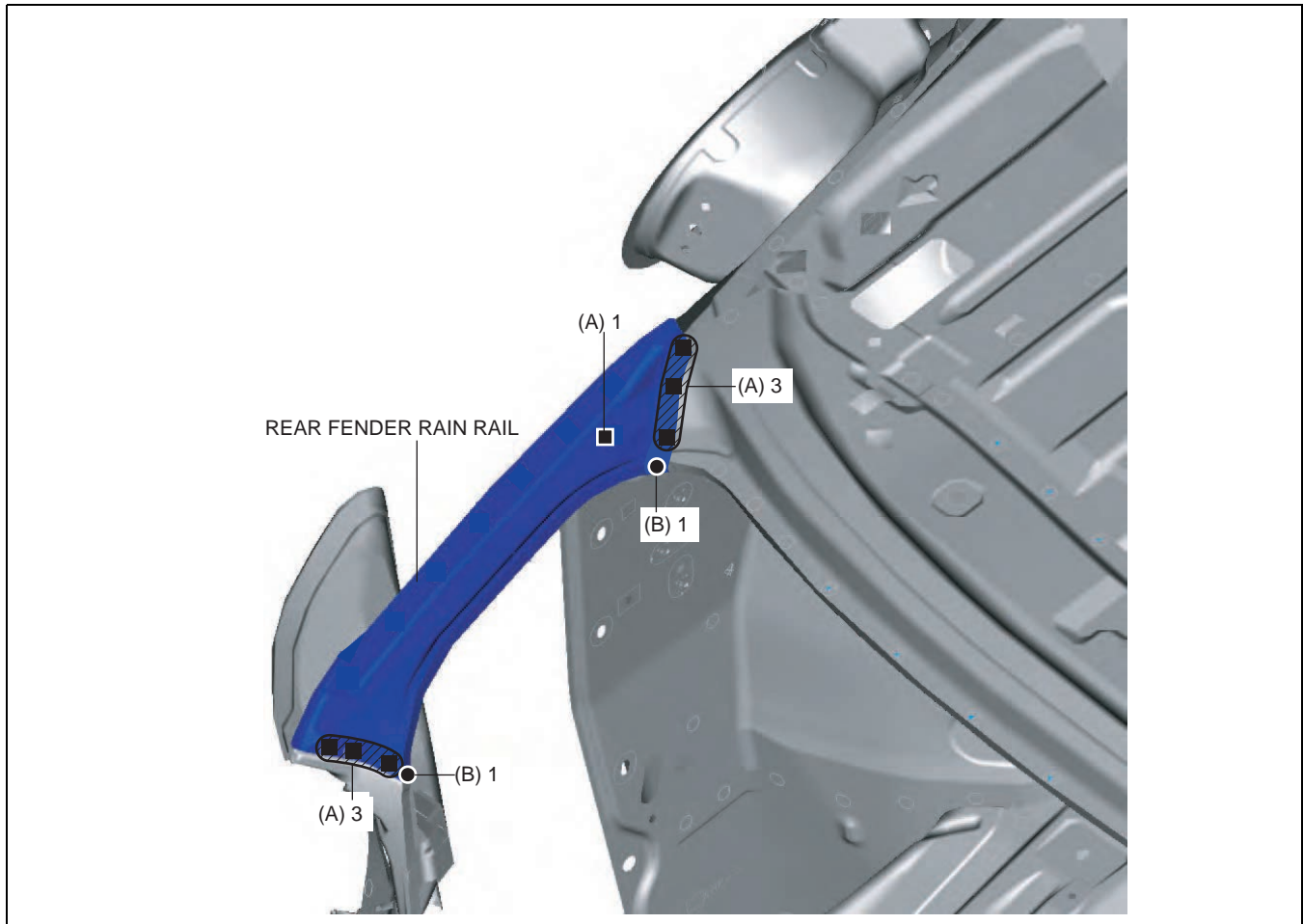
### Symbol Mark

SYMBOL MARK	MEANING
●	SPOT WELDING
■	PLUG WELDING (CO <sub>2</sub> ARC WELDING)

am6zzb0000044

### Installation Procedure

1. When installing new parts, measure and adjust the body as necessary to conform with standard dimensions.
2. Drill holes for the plug welding before installing the new parts.
3. After temporarily installing new parts, make sure the related parts fit properly.
4. Plug weld the 7 locations indicated by (A) shown in the figure.
5. Spot weld the 2 locations indicated by (B) shown in the figure, then install the rear fender rain rail.



am6zzb0000044

# BODY STRUCTURE [PANEL REPLACEMENT]

## REAR END PANEL REMOVAL [PANEL REPLACEMENT]

id098008744500

### Symbol Mark

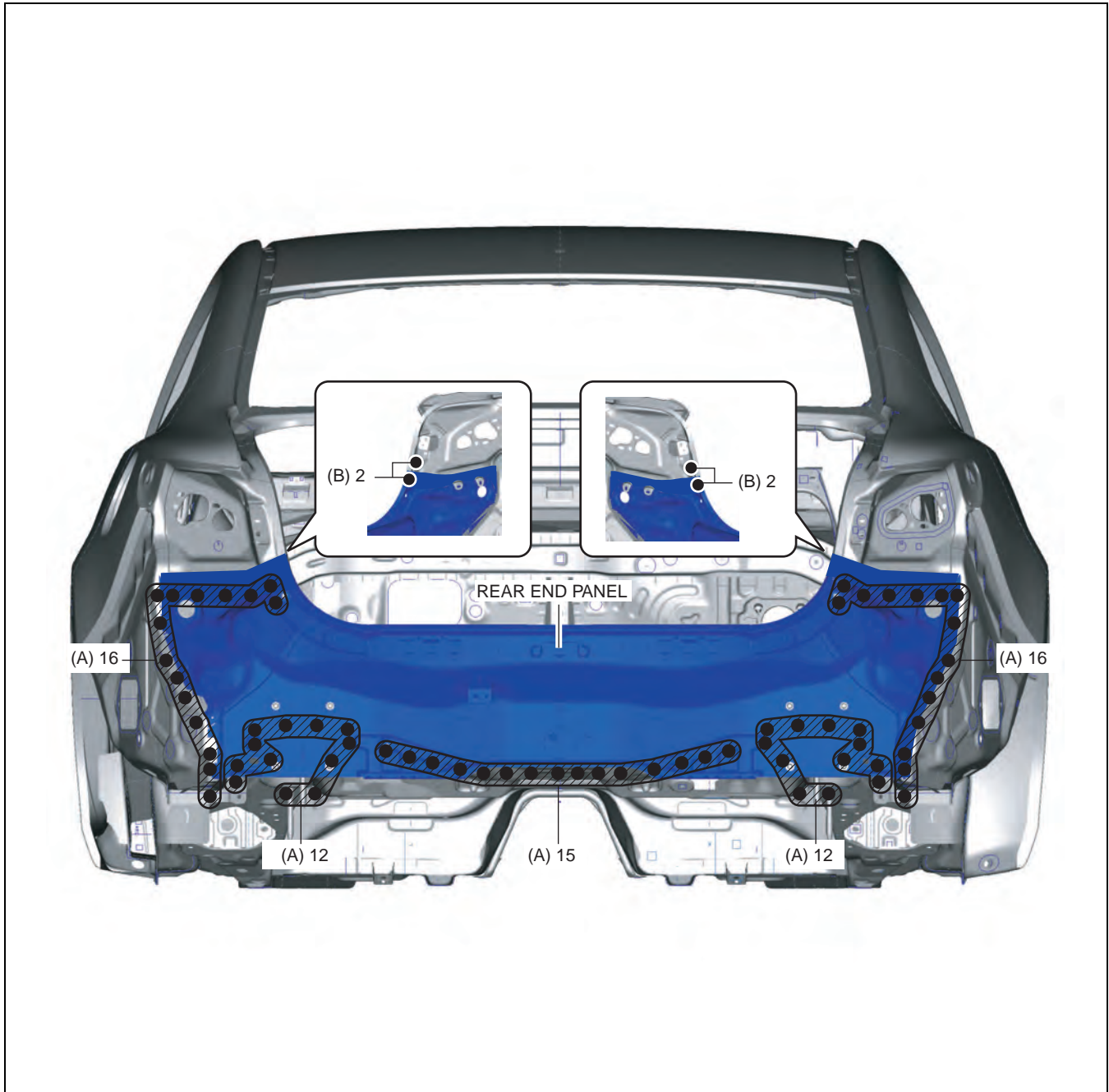
SYMBOL MARK	MEANING
●	SPOT WELDING

am6zzb0000044

### Removal Procedure

09-80B

1. Drill the 71 locations indicated by (A) shown in the figure.
2. Drill the 4 locations indicated by (B) from the room side shown in the figure.



am6zzb0000044

3. Remove the rear end panel.

# BODY STRUCTURE [PANEL REPLACEMENT]

## REAR END PANEL INSTALLATION [PANEL REPLACEMENT]

id098008744600

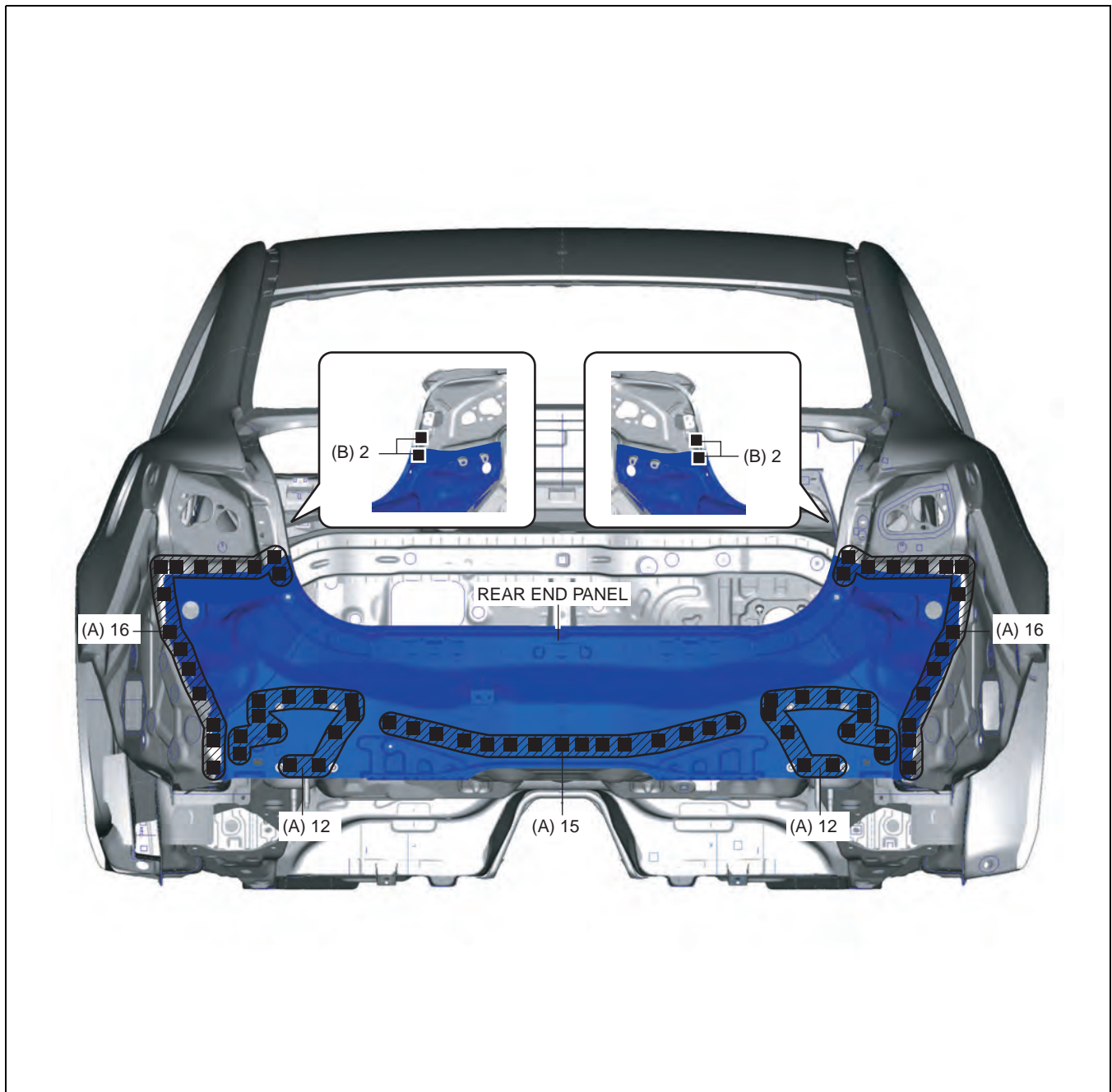
### Symbol Mark

SYMBOL MARK	MEANING
■	PLUG WELDING (CO <sub>2</sub> ARC WELDING)

am6zzb0000044

### Installation Procedure

1. When installing new parts, measure and adjust the body as necessary to conform with standard dimensions.
2. Drill holes for the plug welding before installing the new parts.
3. After temporarily installing new parts, make sure the related parts fit properly.
4. Plug weld the 71 locations indicated by (A) shown in the figure.
5. Plug weld the 4 locations indicated by (B) from the room side shown in the figure, then install the rear end panel.



am6zzb0000044

# BODY STRUCTURE [PANEL REPLACEMENT]

## FLOOR SIDE PANEL REMOVAL [PANEL REPLACEMENT]

id098008618700

### Symbol Mark

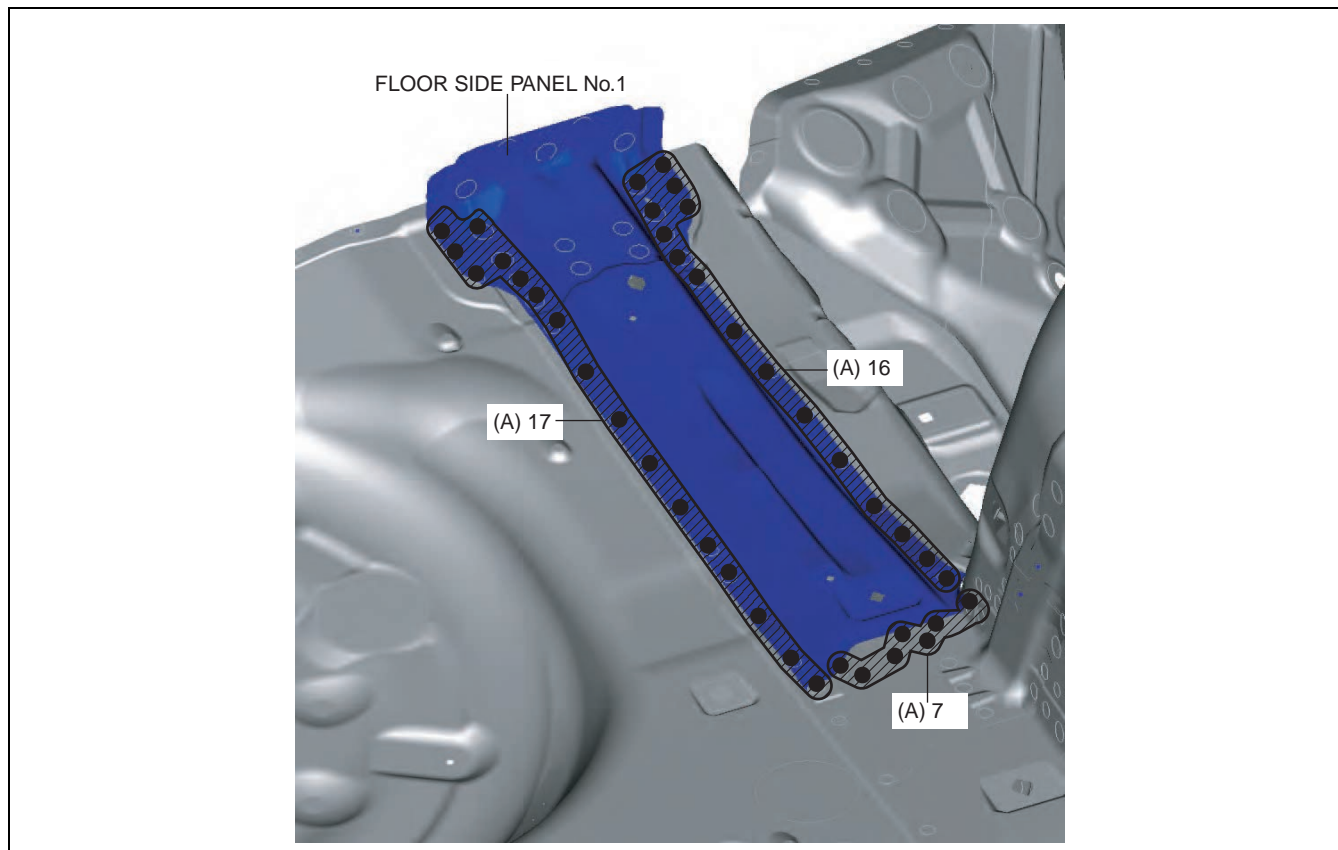
SYMBOL MARK	MEANING
●	SPOT WELDING

am6zzb0000045

### Removal Procedure

09-80B

1. Drill the 40 locations indicated by (A) shown in the figure, then remove the floor side panel No.1.

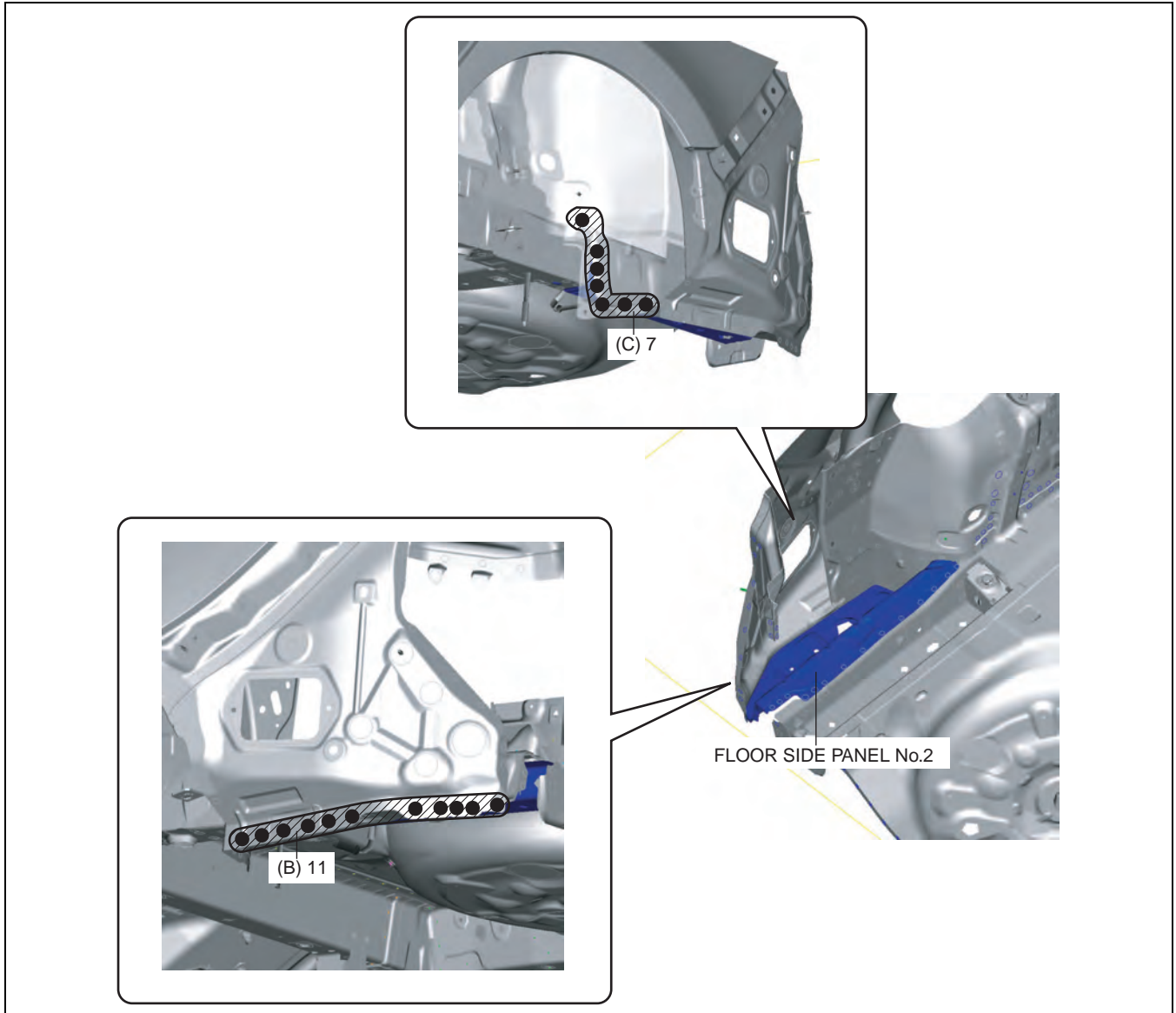


am6zzb0000046

2. Drill the 11 locations indicated by (B) shown in the figure.

## BODY STRUCTURE [PANEL REPLACEMENT]

3. Drill the 7 locations indicated by (C) from the rear wheel housing side shown in the figure.



am6zzb0000046

4. Remove the floor side panel No.2.

# BODY STRUCTURE [PANEL REPLACEMENT]

## FLOOR SIDE PANEL INSTALLATION [PANEL REPLACEMENT]

id098008618800

### Symbol Mark

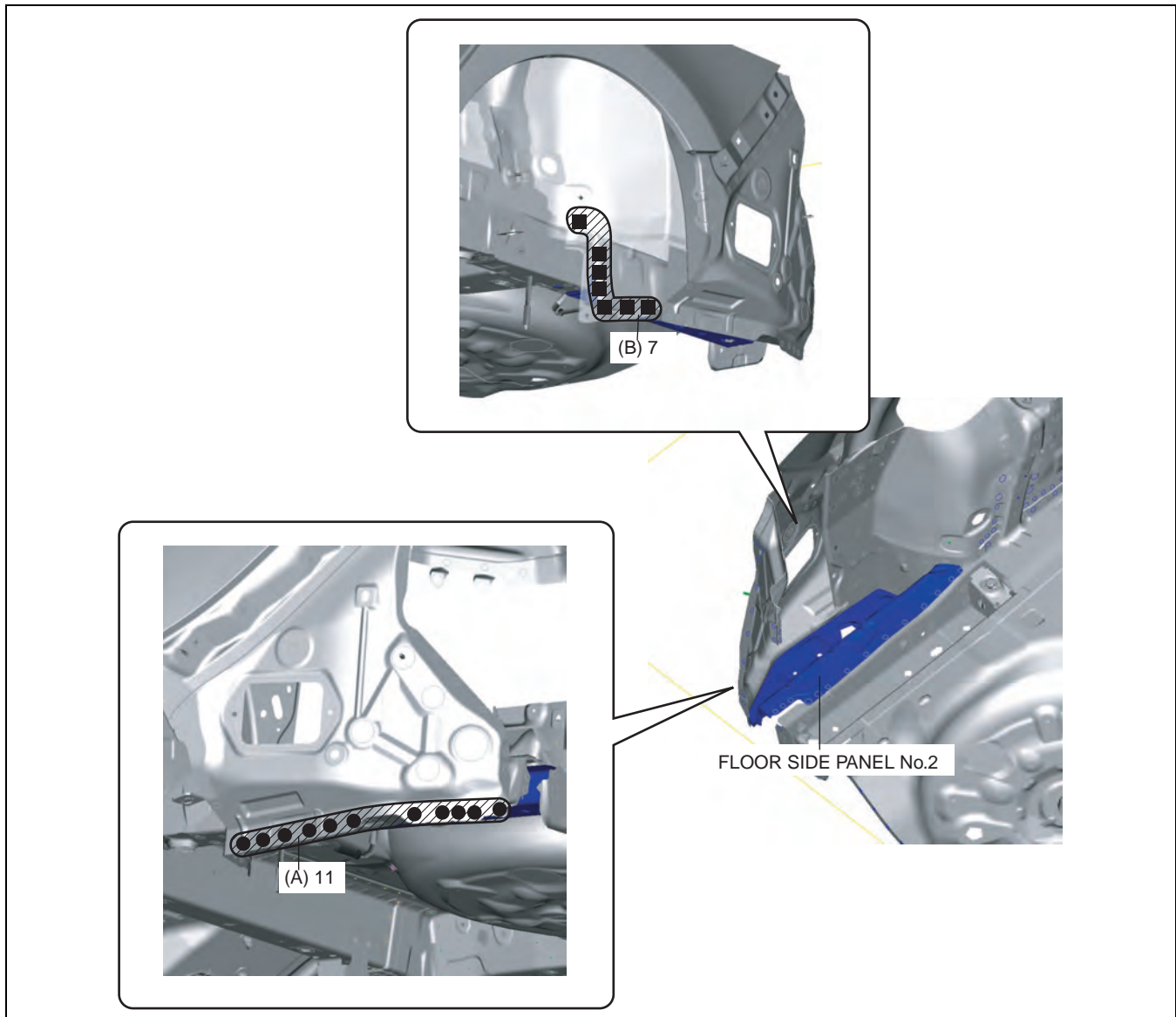
SYMBOL MARK	MEANING
●	SPOT WELDING
■	PLUG WELDING (CO <sub>2</sub> ARC WELDING)

am6zzb0000046

09-80B

### Installation Procedure

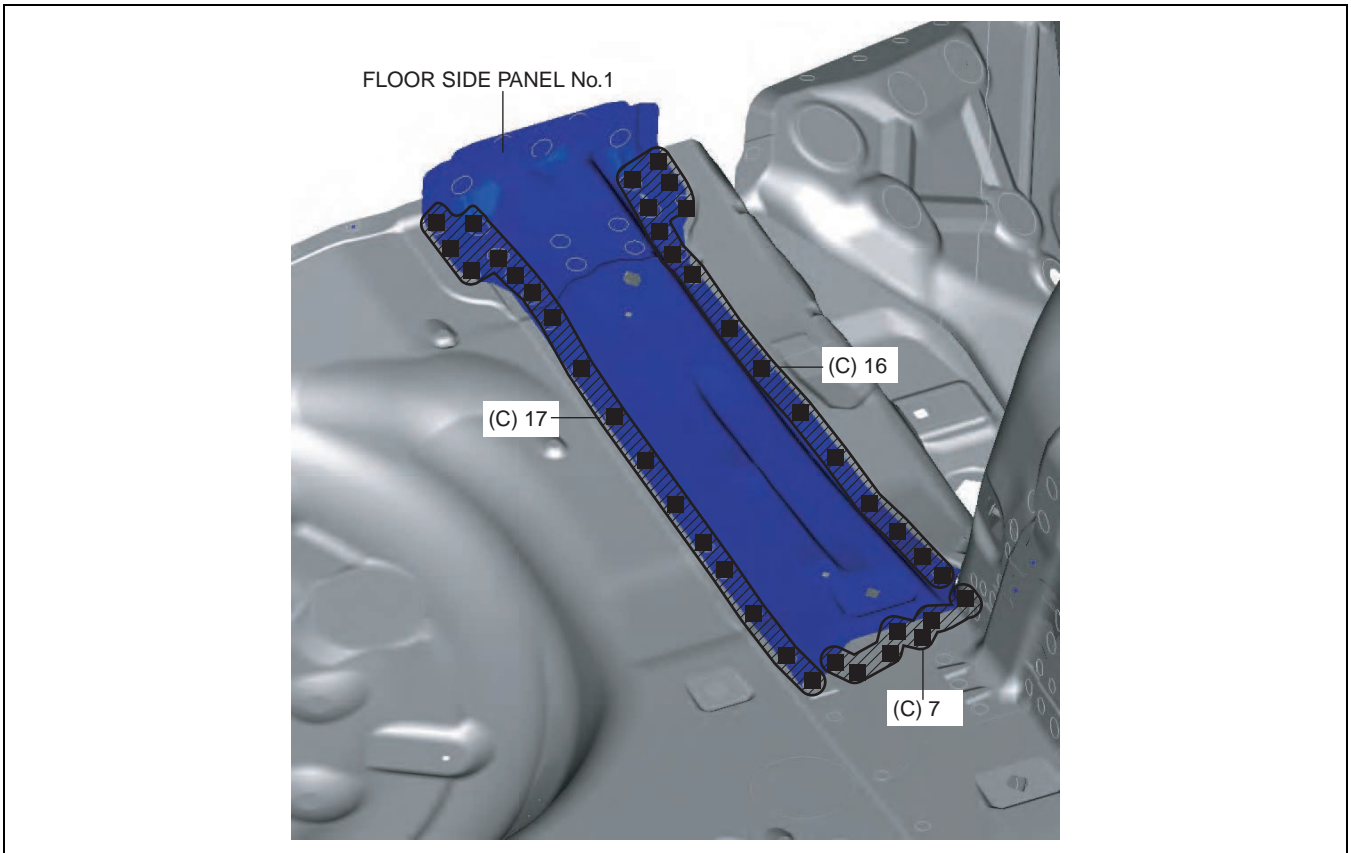
1. When installing new parts, measure and adjust the body as necessary to conform with standard dimensions.
2. Drill holes for the plug welding before installing the new parts.
3. After temporarily installing new parts, make sure the related parts fit properly.
4. Spot weld the 11 locations indicated by (A) shown in the figure.
5. Plug weld the 7 locations indicated by (B) shown in the figure, then install the floor side panel No.2.



am6zzb0000046

6. Plug weld the 40 locations indicated by (C) shown in the figure, then install the floor side panel No.1.

# BODY STRUCTURE [PANEL REPLACEMENT]



am6zzb000046

# BODY STRUCTURE [PANEL REPLACEMENT]

## TRUNK FLOOR PANEL REMOVAL [PANEL REPLACEMENT]

id098008829500

### Symbol Mark

SYMBOL MARK	MEANING
●	SPOT WELDING

am6zzb0000046

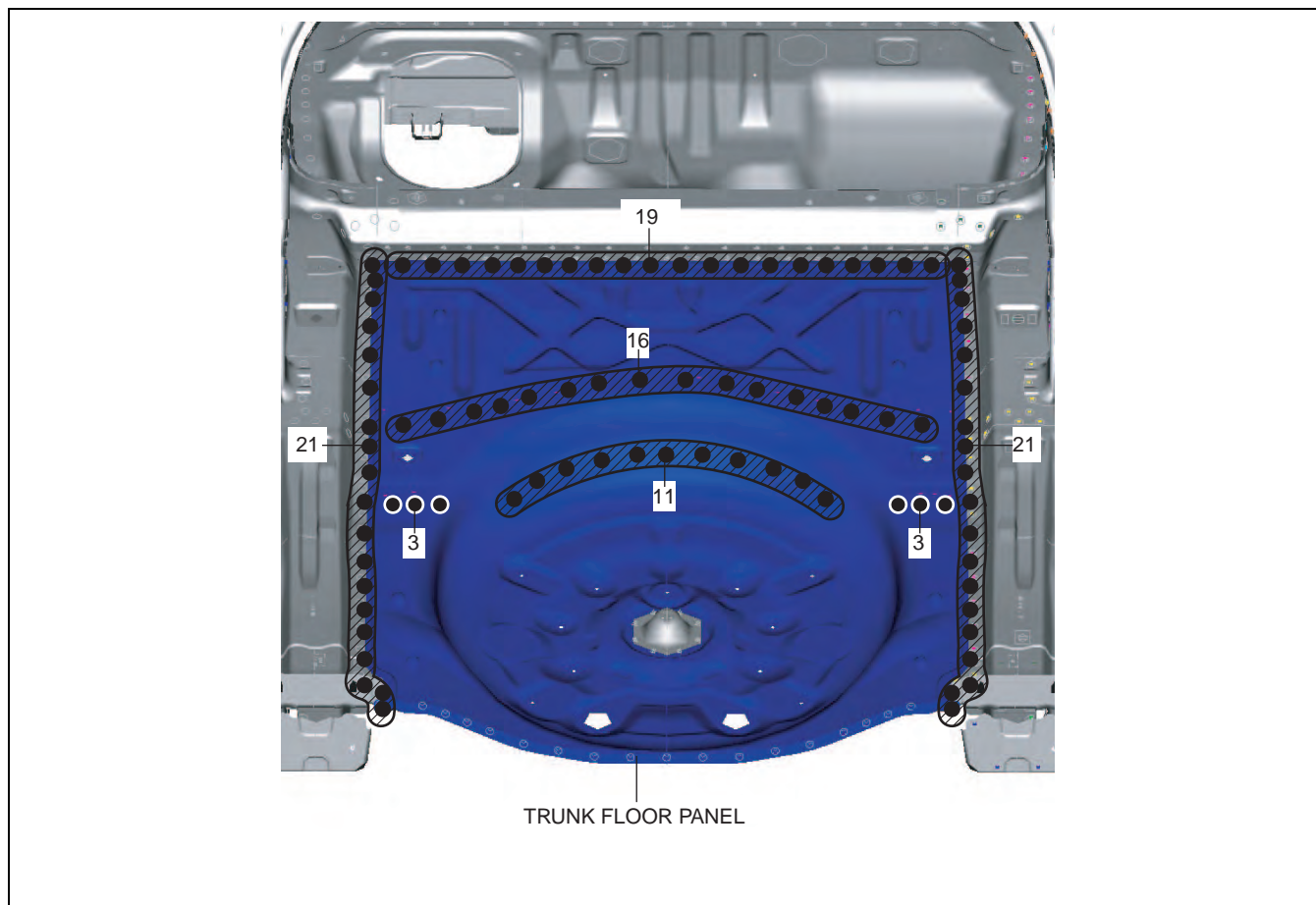
### Removal Procedure

09-80B

1. Drill the 94 locations shown in the figure.

#### Caution

- When drilling the 94 locations shown in the figure, do not drill a hole all the way through or there could be a problem when installing the new part.



am6zzb0000046

2. Remove the trunk floor panel.

# BODY STRUCTURE [PANEL REPLACEMENT]

## TRUNK FLOOR PANEL INSTALLATION [PANEL REPLACEMENT]

id098008829600

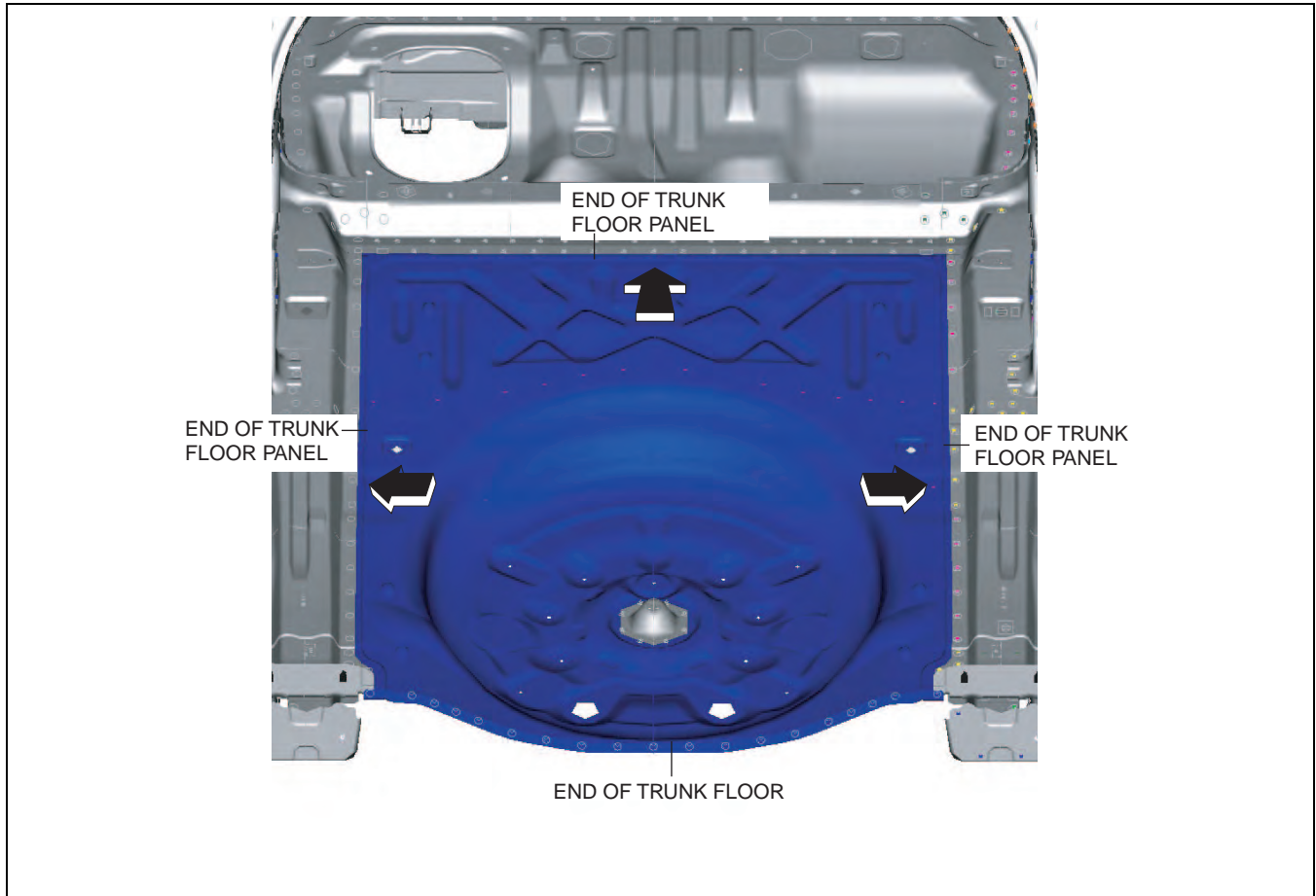
### Symbol Mark

SYMBOL MARK	MEANING
■	PLUG WELDING (CO <sub>2</sub> ARC WELDING)

am6zzb0000046

### Installation Procedure

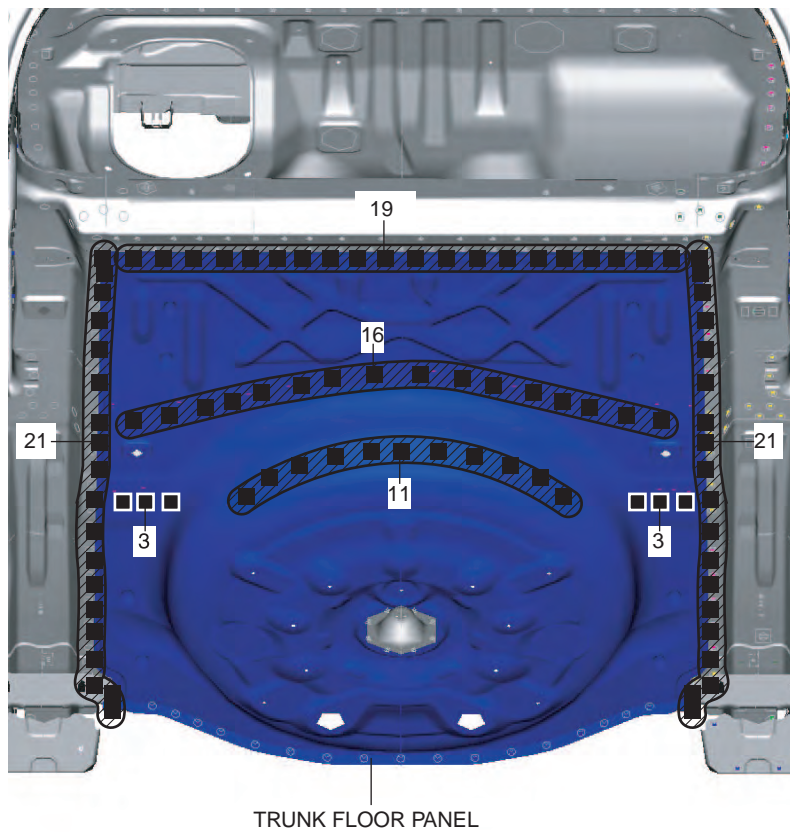
1. When installing new parts, measure and adjust the body as necessary to conform with standard dimensions.
2. Drill holes for the plug welding before installing the new parts.
3. After temporarily installing new parts, make sure the related parts fit properly.
4. Slide the end of trunk floor panel in the direction of arrow shown in the figure, and then insert it.



am6zzb0000047

5. Plug weld the 94 locations shown in the figure, then install the trunk floor panel.

# BODY STRUCTURE [PANEL REPLACEMENT]



09-80B



am6zzb000047

# BODY STRUCTURE [PANEL REPLACEMENT]

## REAR SIDE FRAME REMOVAL [PANEL REPLACEMENT]

id098008801200

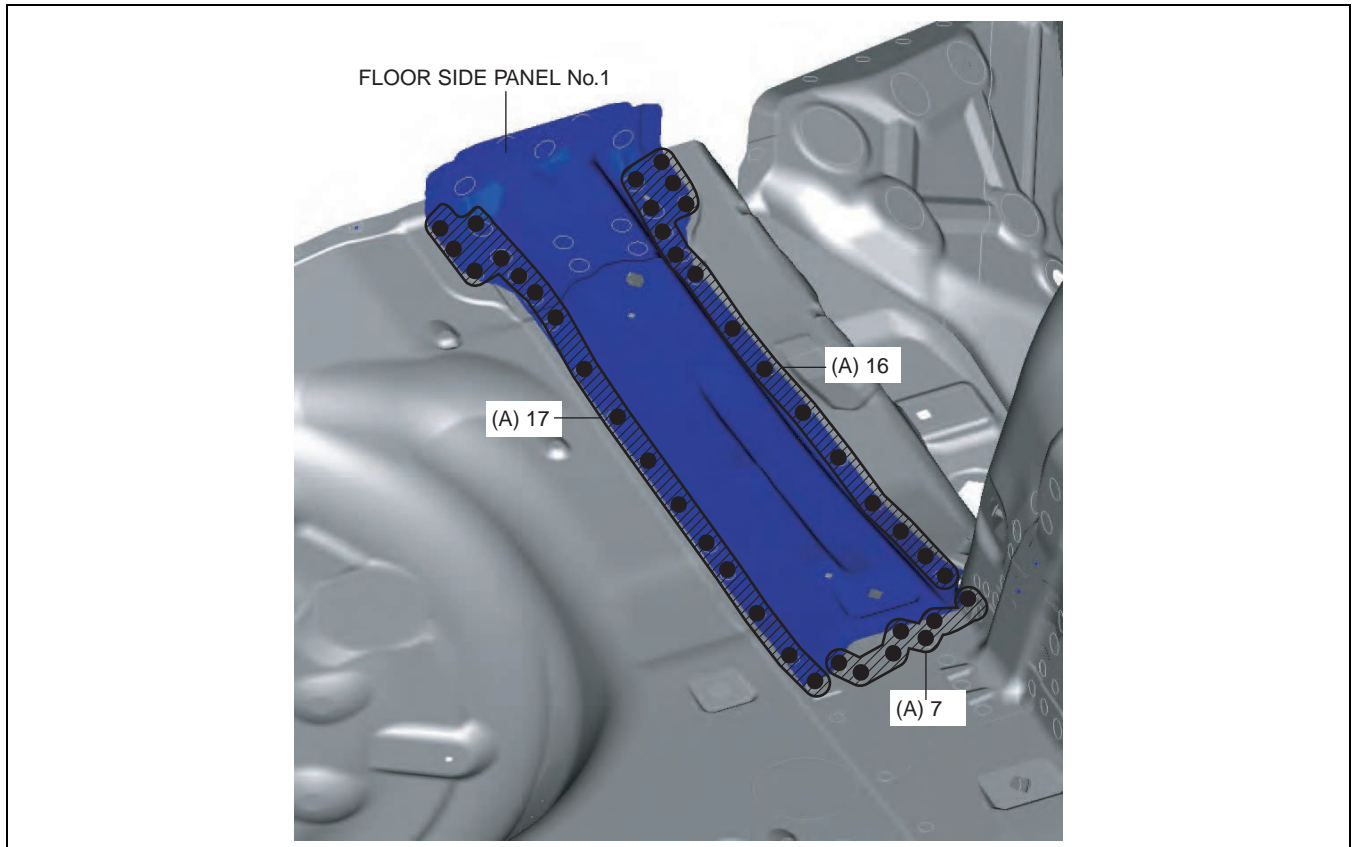
### Symbol Mark

SYMBOL MARK	MEANING
	SPOT WELDING
	ROUGH CUT LOCATION

am6zzb0000047

### Removal Procedure

1. Drill the 40 locations indicated by (A) shown in the figure, then remove the floor side panel No.1.

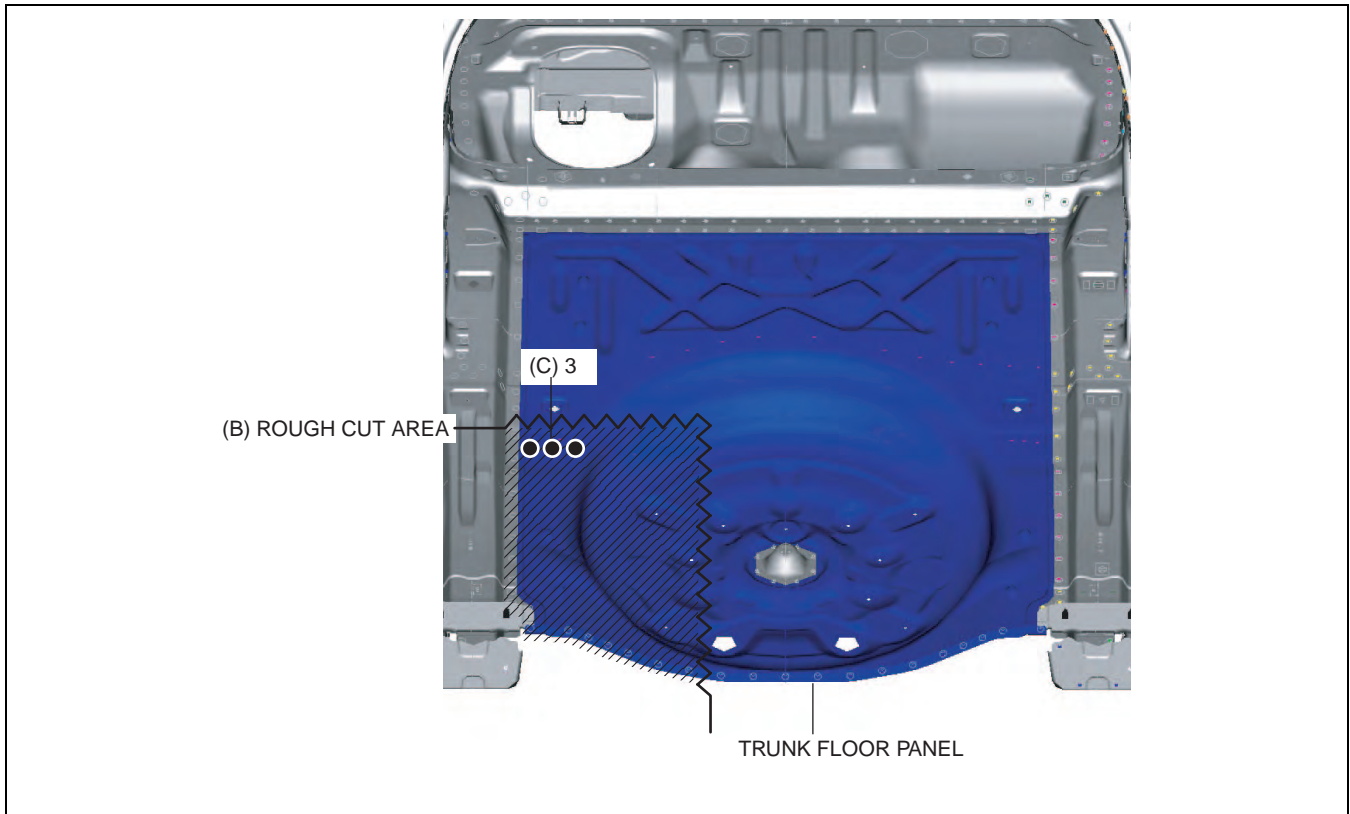


am6zzb0000047

2. Rough cut the location indicated by (B) shown in the figure.

## BODY STRUCTURE [PANEL REPLACEMENT]

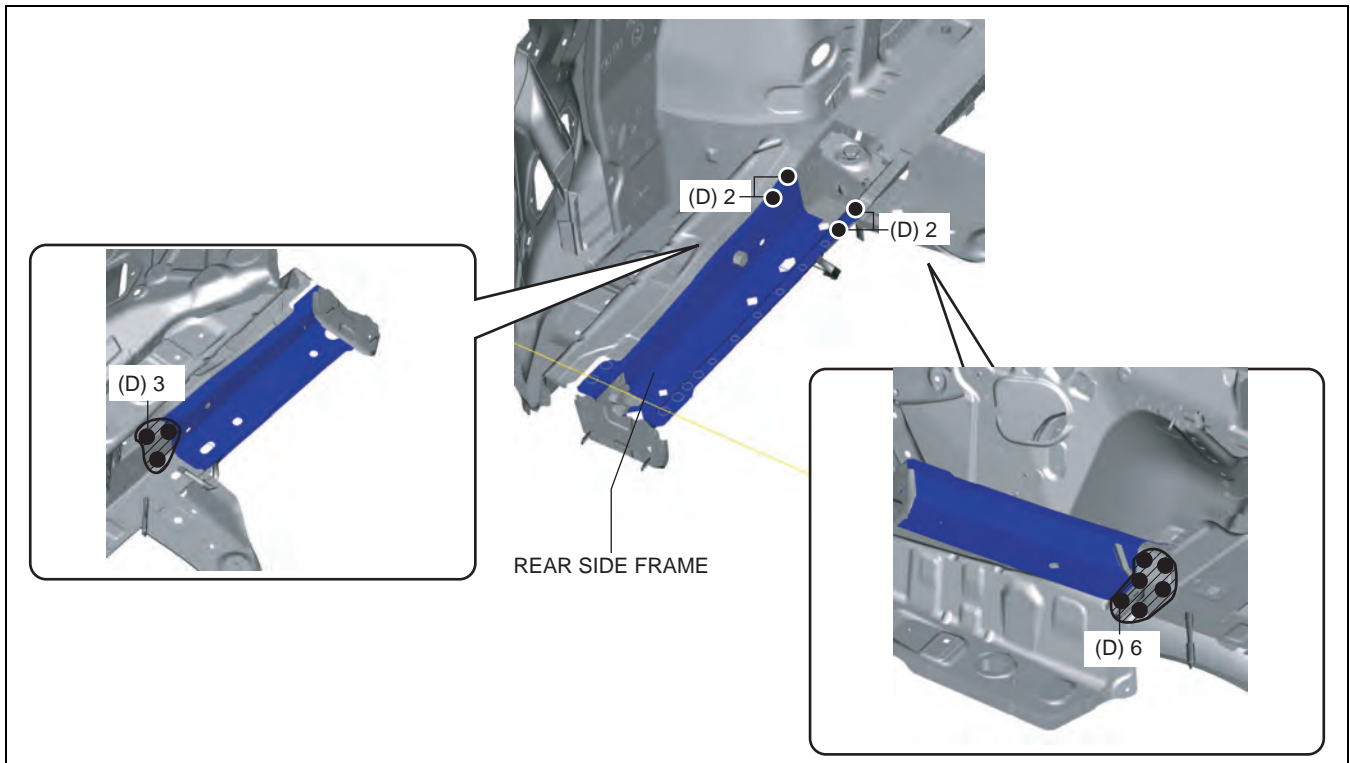
3. Drill the 3 locations indicated by (C) shown in the figure, then remove the part of trunk floor panel (shaded arear).



09-80B

am6zzb000047

4. Drill the 13 locations indicated by (D) shown in the figure.



am6zzb000047

5. Remove the rear side frame.

09-80B-83

# BODY STRUCTURE [PANEL REPLACEMENT]

## REAR SIDE FRAME INSTALLATION [PANEL REPLACEMENT]

id098008801300

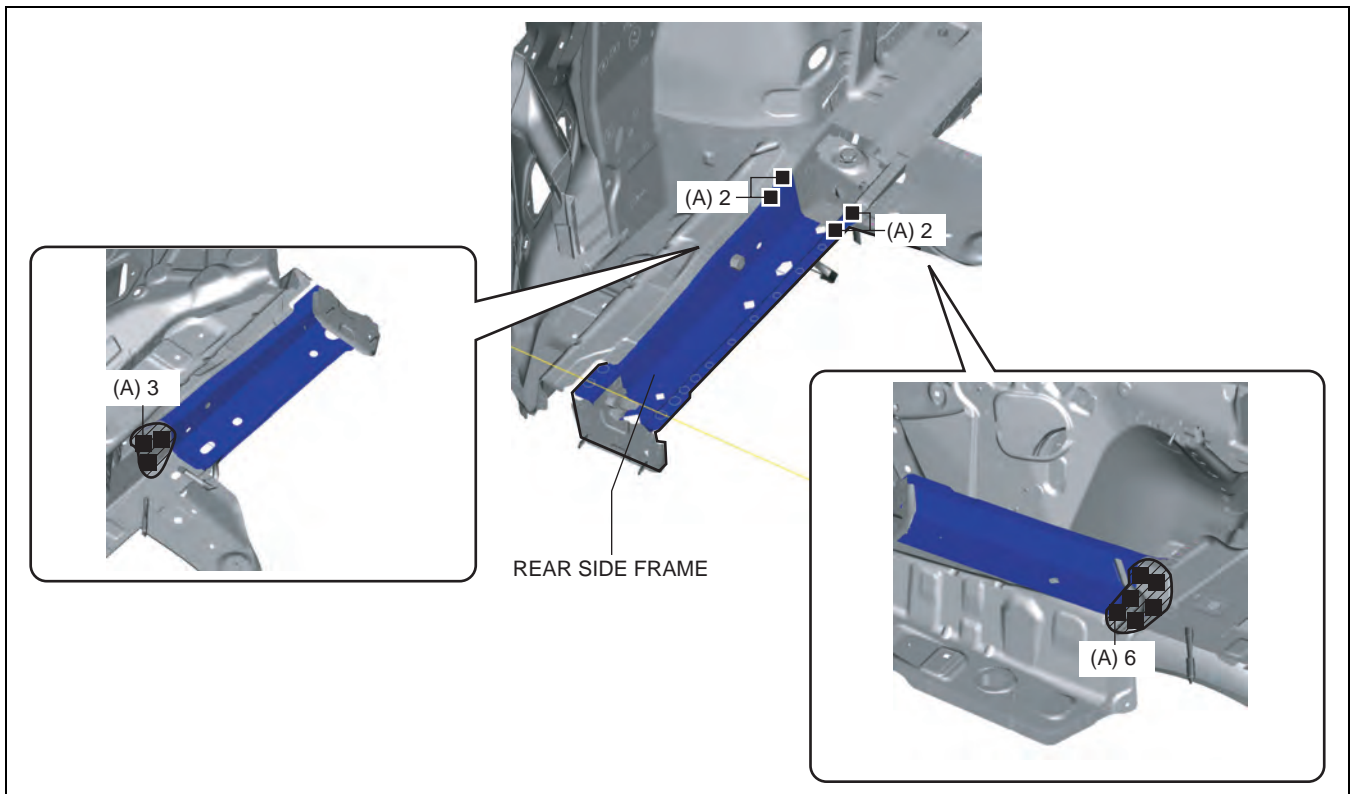
### Symbol Mark

SYMBOL MARK	MEANING
■	PLUG WELDING (CO <sub>2</sub> ARC WELDING)
—     —	CONTINUOUS CO <sub>2</sub> ARC WELDING (CUT-AND-JOIN LOCATION)

am6zzb000047

### Installation Procedure

1. When installing new parts, measure and adjust the body as necessary to conform with standard dimensions.
2. Drill holes for the plug welding before installing the new parts.
3. After temporarily installing new parts, make sure the related parts fit properly.
4. Plug weld the 13 locations indicated by (A) shown in the figure, then install the rear side frame.

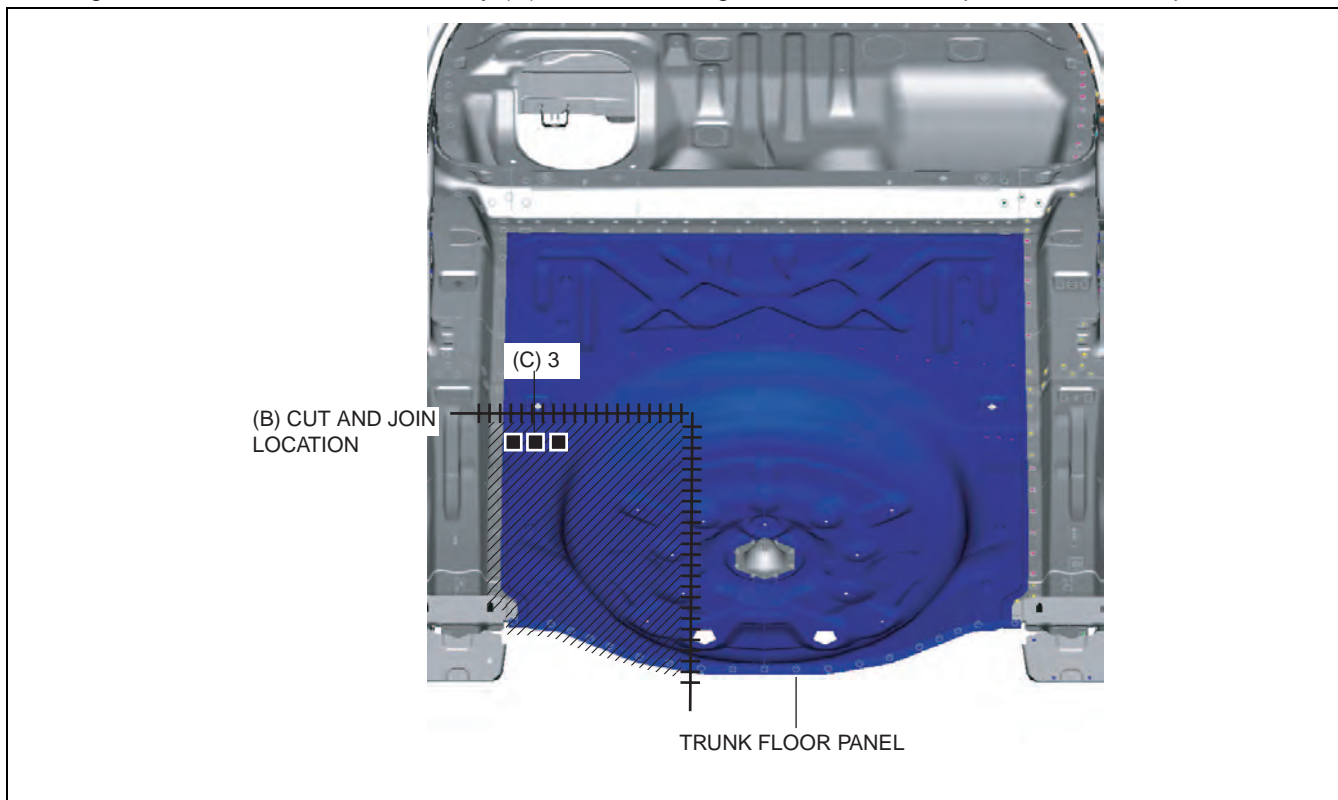


am6zzb000047

5. Cut and join location indicated by (B) shown in the figure.

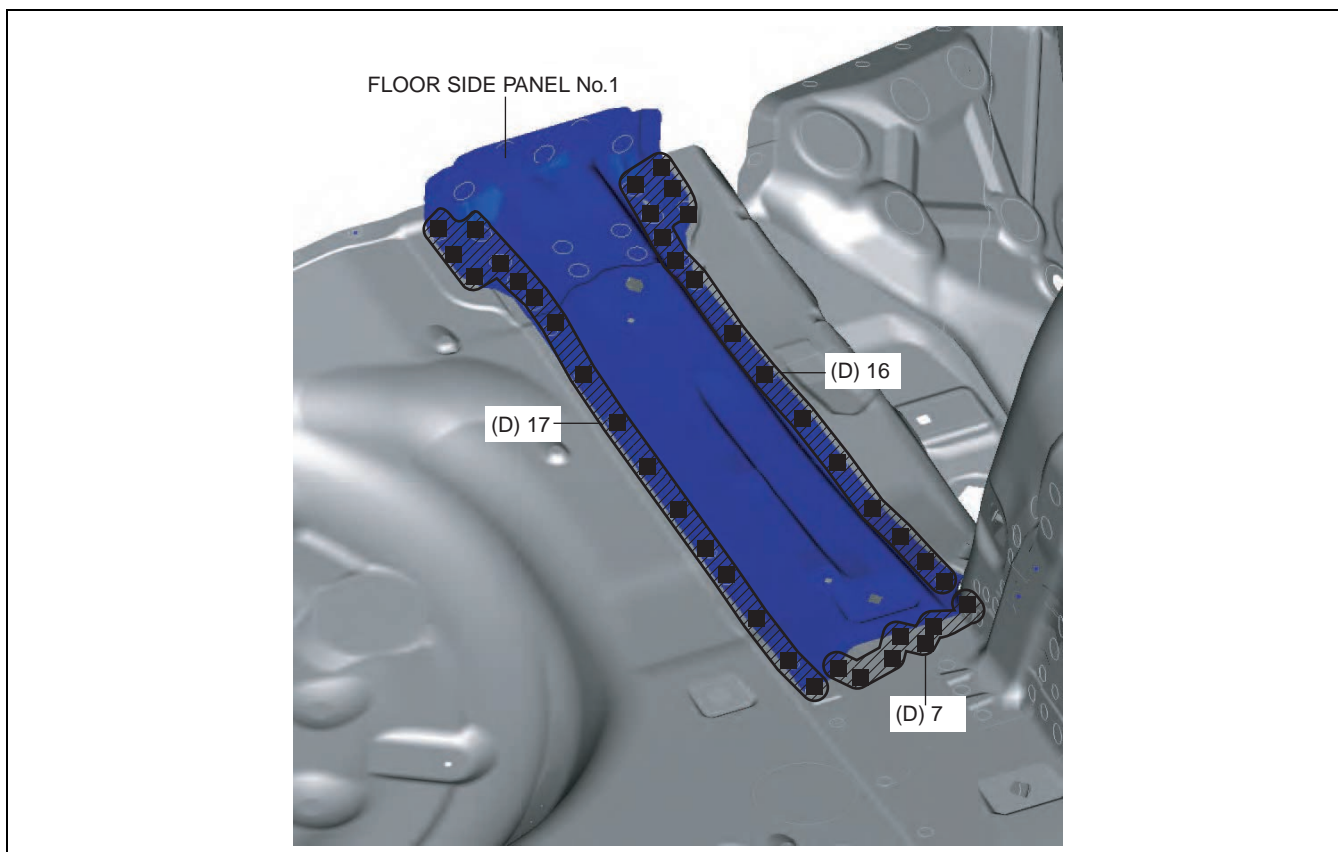
## BODY STRUCTURE [PANEL REPLACEMENT]

6. Plug weld the 3 locations indicated by (C) shown in the figure, then install the part of trunk floor panel.



09-80B

7. Plug weld the 40 locations indicated by (D) shown in the figure, then install the floor side panel No.1.



# BODY STRUCTURE [PANEL REPLACEMENT]

## ROOF PANEL REMOVAL [PANEL REPLACEMENT]

id098008744300

### Symbol Mark

SYMBOL MARK	MEANING
●	SPOT WELDING

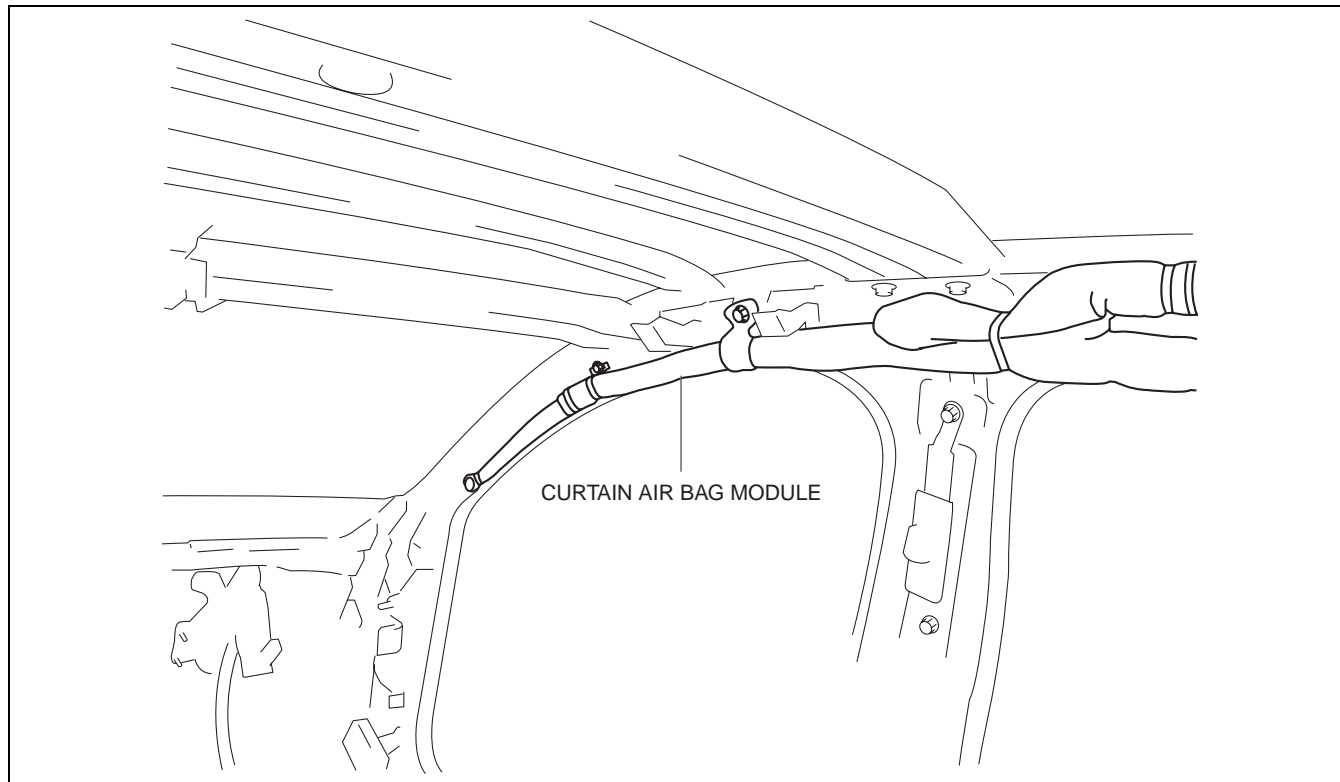
am6zzb0000048

### Removal Procedure

#### Caution

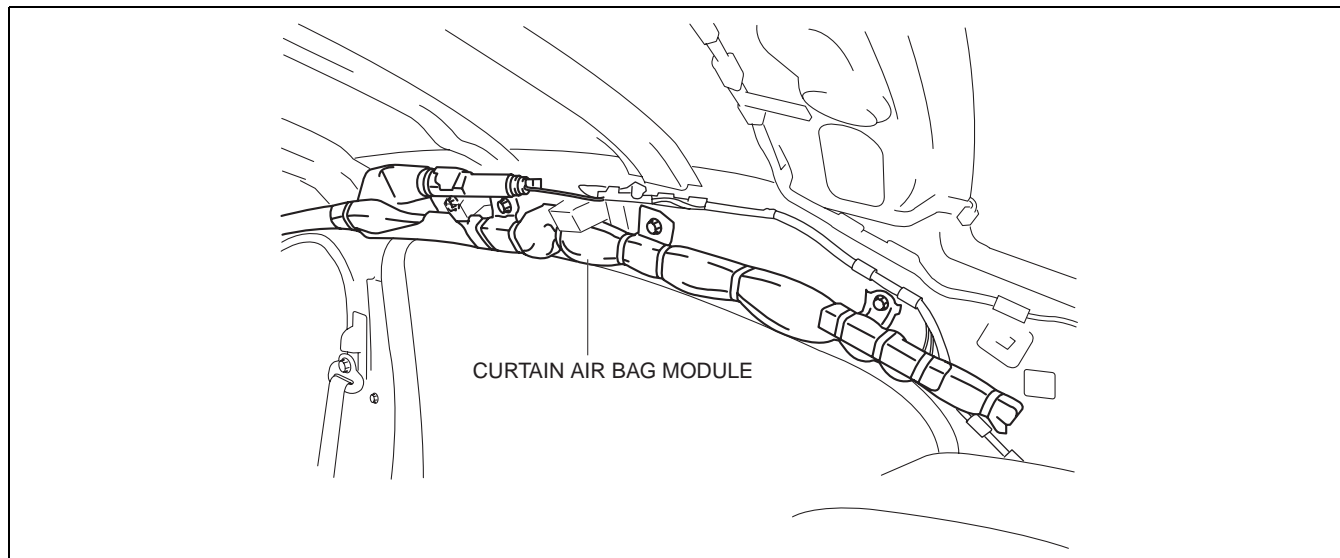
- Remove the curtain air bag module to prevent damage before servicing.

#### Front-side



am6xub0000011

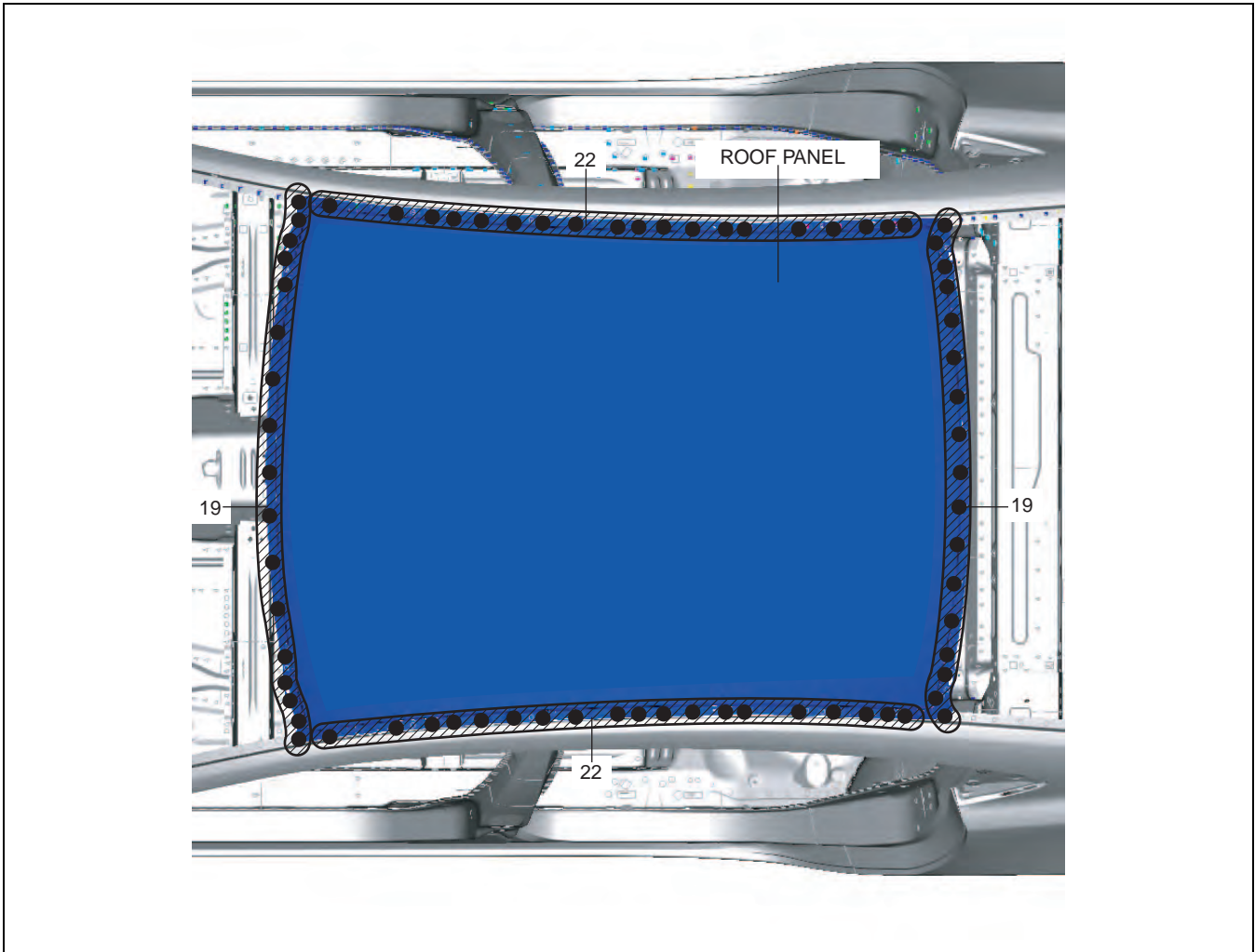
#### Rear-side



am6xub0000011

## BODY STRUCTURE [PANEL REPLACEMENT]

1. Drill the 82 locations shown in the figure.



09-80B

am6zzb0000048

2. Remove the roof panel.

# BODY STRUCTURE [PANEL REPLACEMENT]

## ROOF PANEL INSTALLATION [PANEL REPLACEMENT]

id098008744400

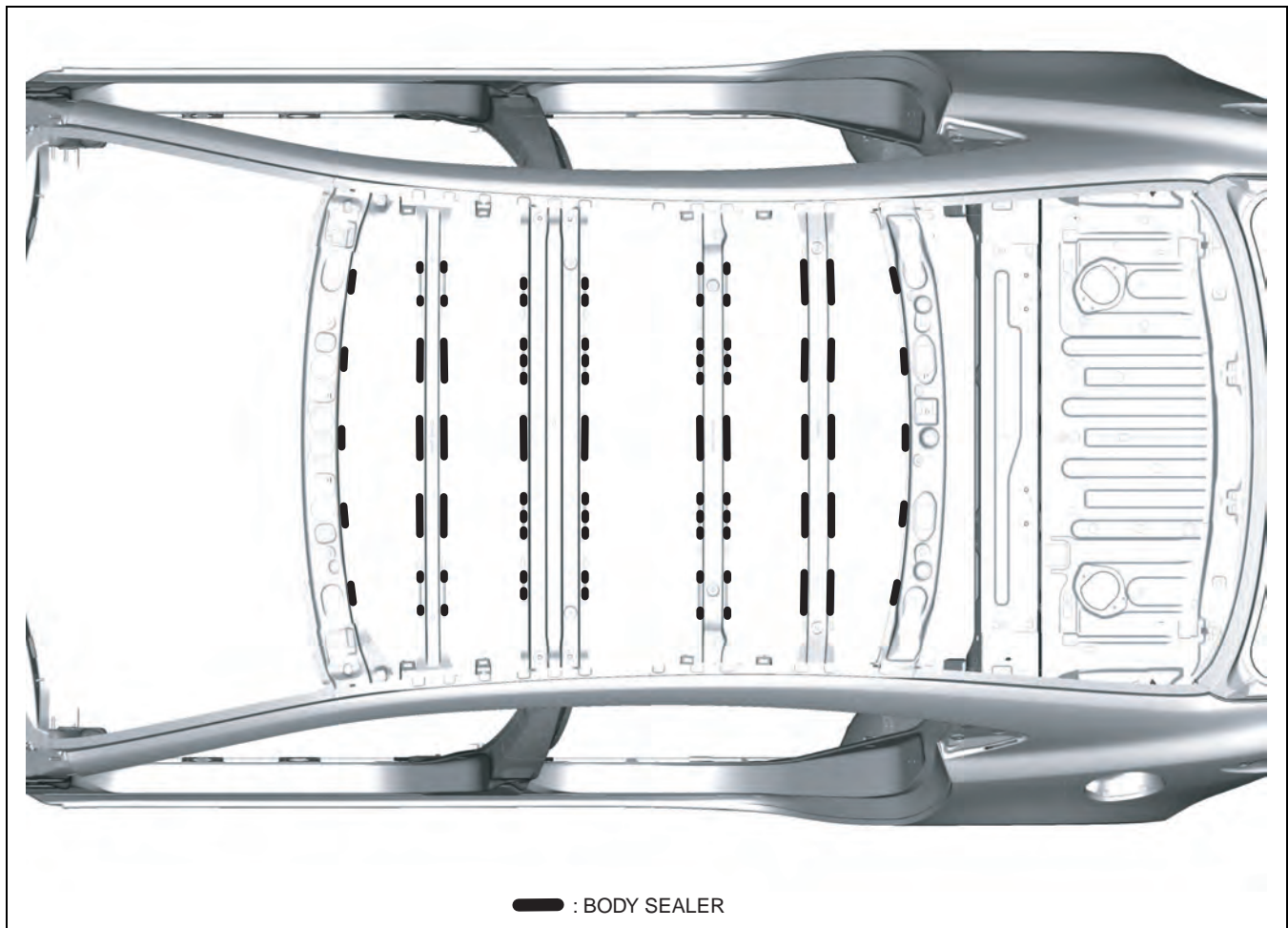
### Symbol Mark

SYMBOL MARK	MEANING
●	SPOT WELDING
■	PLUG WELDING (CO <sub>2</sub> ARC WELDING)

am6zzb0000048

### Installation Procedure

1. When installing new parts, measure and adjust the body as necessary to conform with standard dimensions.
2. Drill holes for the plug welding before installing the new parts.
3. After temporarily installing new parts, make sure the related parts fit properly.
4. Apply the body sealer to the position shown in the figure.

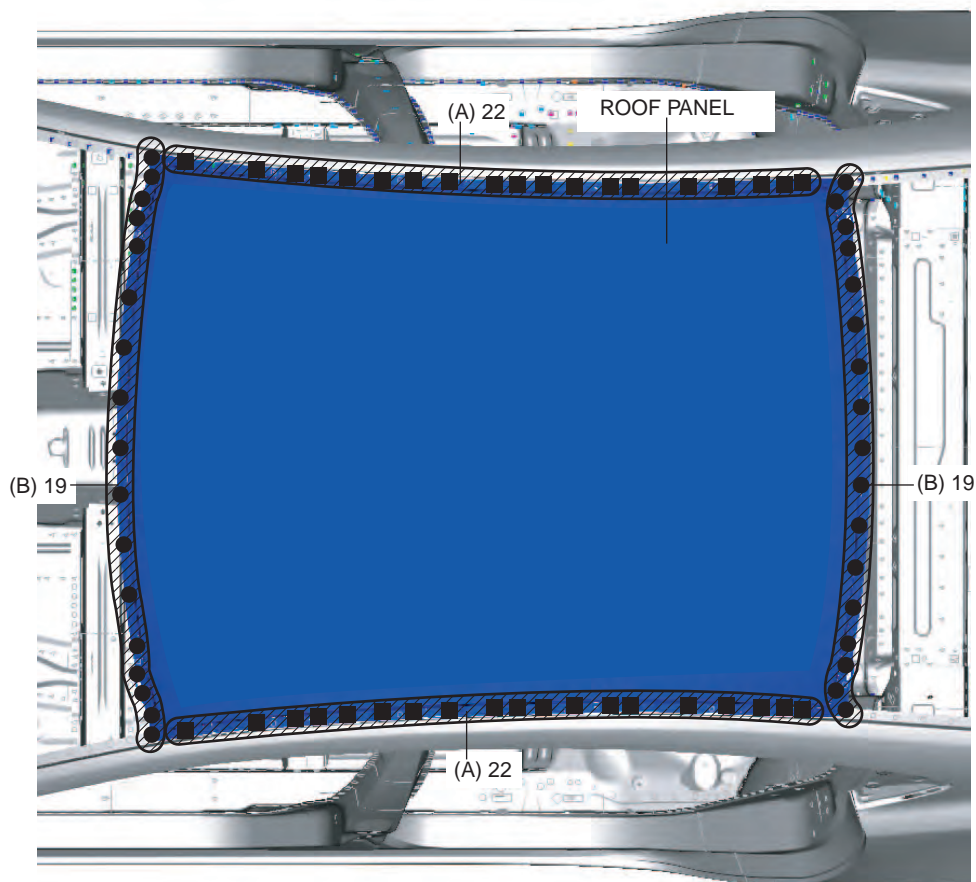


am6zzb0000048

5. Plug weld the 44 locations indicated by (A) shown in the figure.

## BODY STRUCTURE [PANEL REPLACEMENT]

6. Spot weld the 38 locations indicated by (B) shown in the figure, then install the roof panel.



am6zzb000048

# 09-80C BODY STRUCTURE [WATER-PROOF AND RUST PREVENTIVE]

BODY SEALING  
[WATER-PROOF AND  
RUST PREVENTIVE] ..... 09-80C-1  
UNDER COATING  
[WATER-PROOF AND  
RUST PREVENTIVE] ..... 09-80C-5

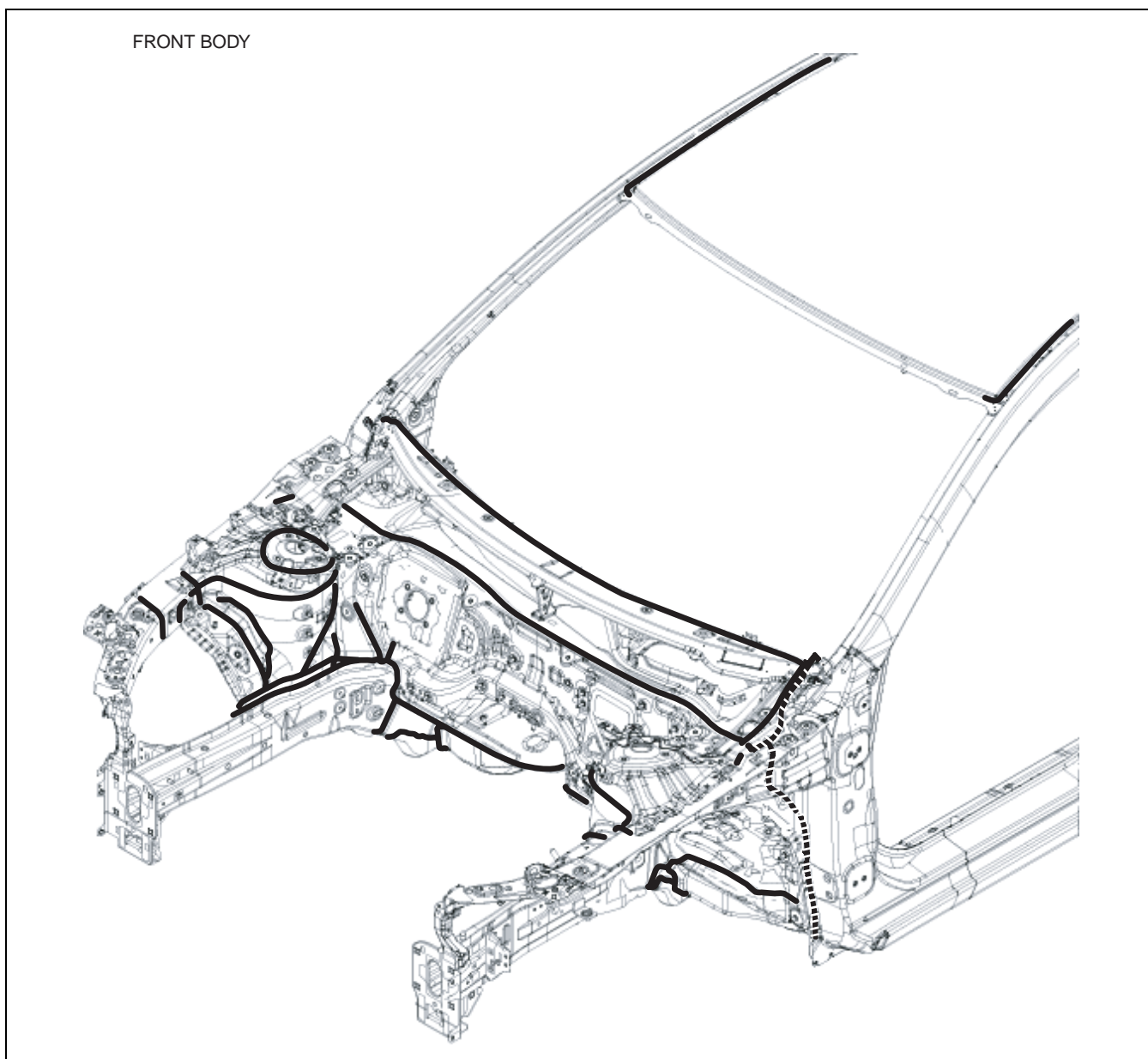
CHIPPING-RESISTANT COATING  
[WATER-PROOF AND  
RUST PREVENTIVE] ..... 09-80C-5  
RUST PREVENTIVE TREATMENT  
[WATER-PROOF AND  
RUST PREVENTIVE] ..... 09-80C-6  
DUMPING SHEET REPLACEMENT  
[WATER-PROOF AND  
RUST PREVENTIVE] ..... 09-80C-7

09-80C

## BODY SEALING [WATER-PROOF AND RUST PREVENTIVE]

id098009739800

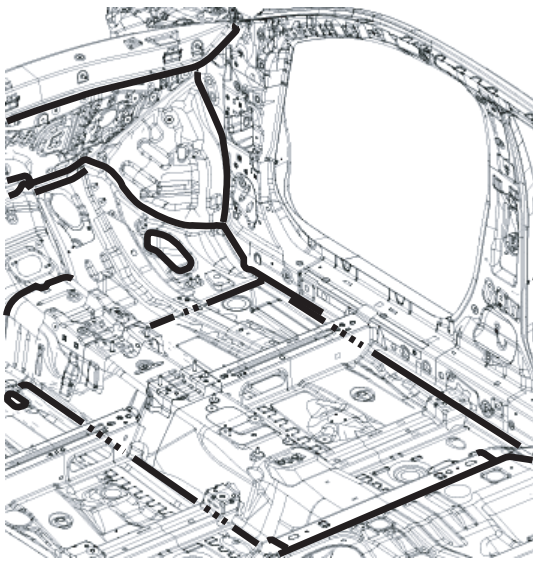
- Sealant is applied to the parts where the panels meet and to the hemmed parts of the door panel and hood panel to provide water proofing and rust proofing.



am6zzb0000049

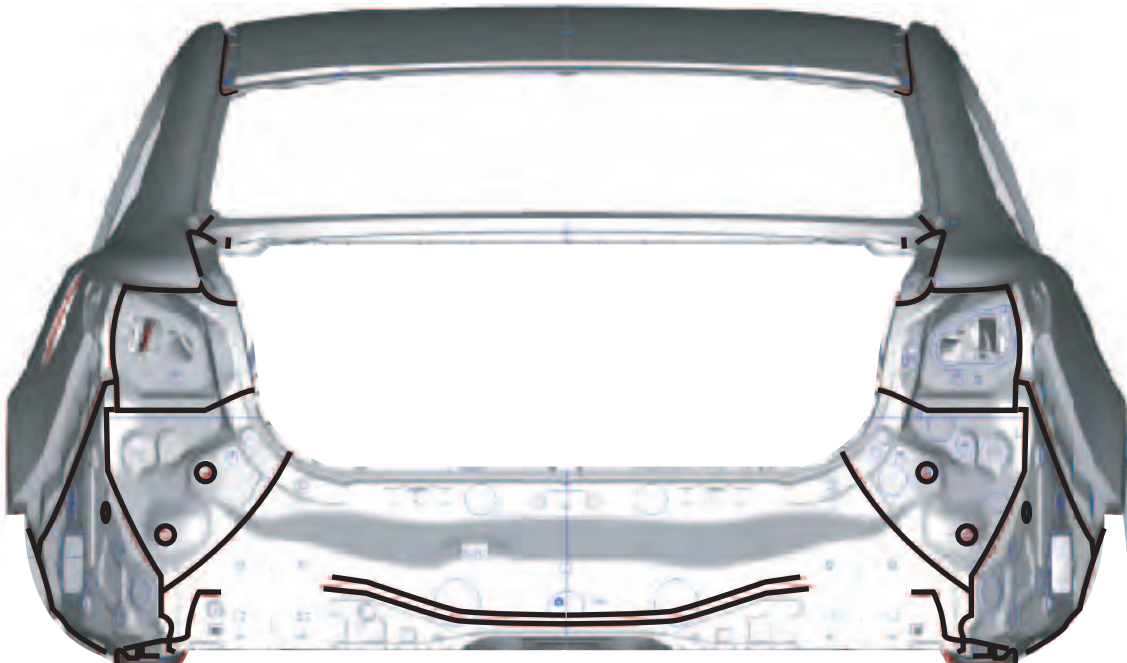
# BODY STRUCTURE [WATER-PROOF AND RUST PREVENTIVE]

ROOM



am6zzb000049

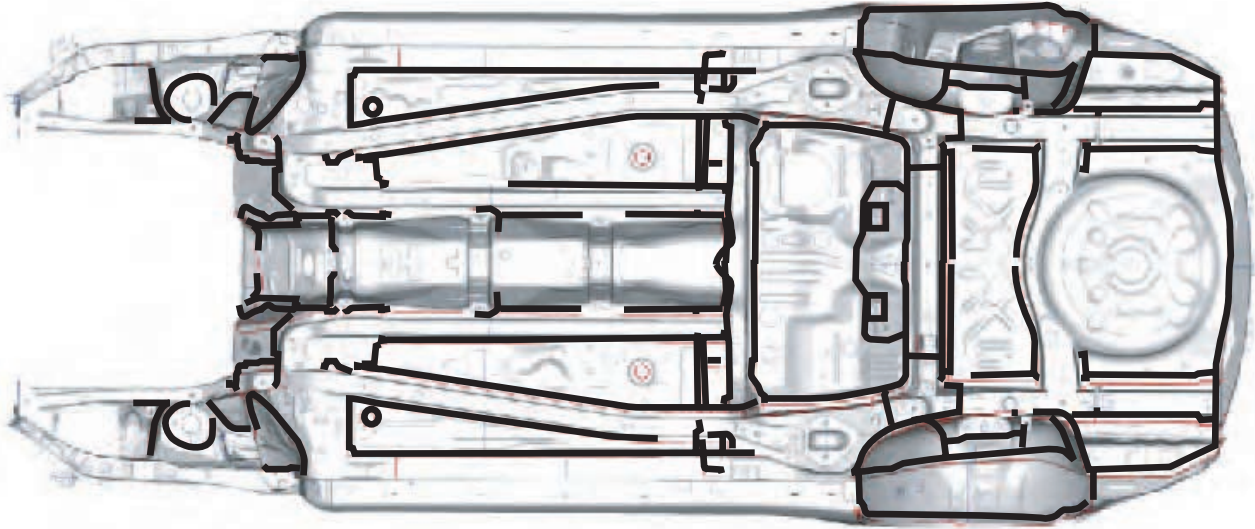
REAR BODY



am6zzb000049

# BODY STRUCTURE [WATER-PROOF AND RUST PREVENTIVE]

UNDER BODY

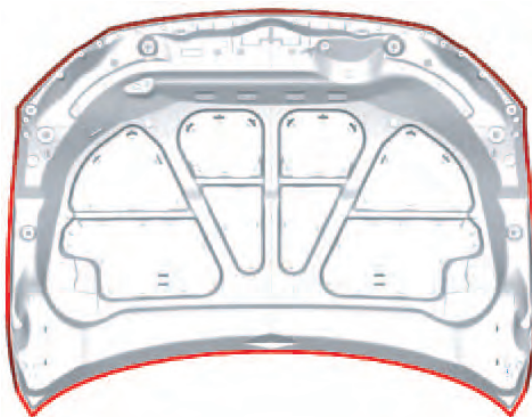


09-80C

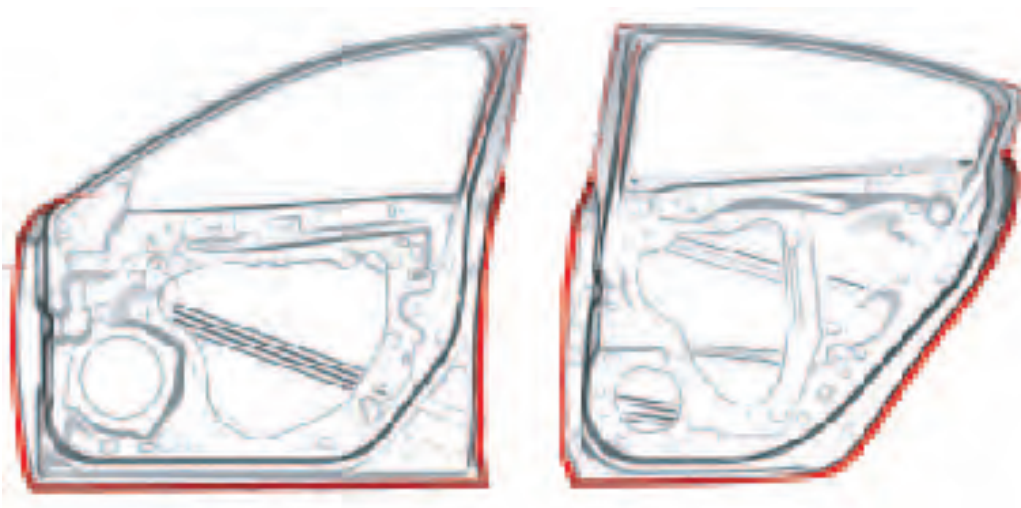
am6zzb000049

# BODY STRUCTURE [WATER-PROOF AND RUST PREVENTIVE]

HOOD



DOOR



TRUNK LID



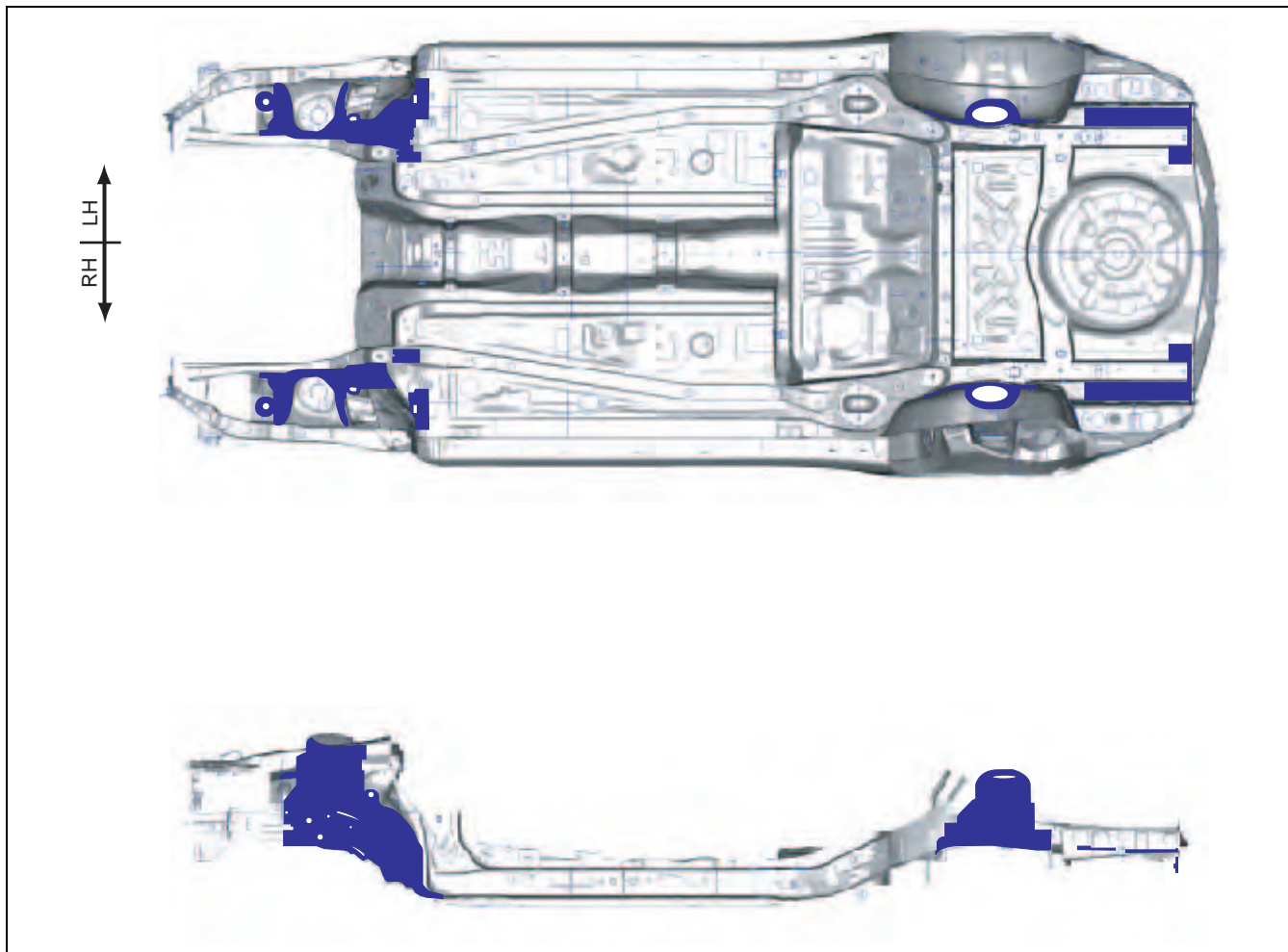
am6xub0000011

# BODY STRUCTURE [WATER-PROOF AND RUST PREVENTIVE]

## UNDER COATING [WATER-PROOF AND RUST PREVENTIVE]

id098009739900

- The shaded areas indicated under body locations that are undercoated to prevent noise and rusting.



09-80C

aatjb00000333

## CHIPPING-RESISTANT COATING [WATER-PROOF AND RUST PREVENTIVE]

id098009740000

- The coating locations are indicated by the shaded areas.



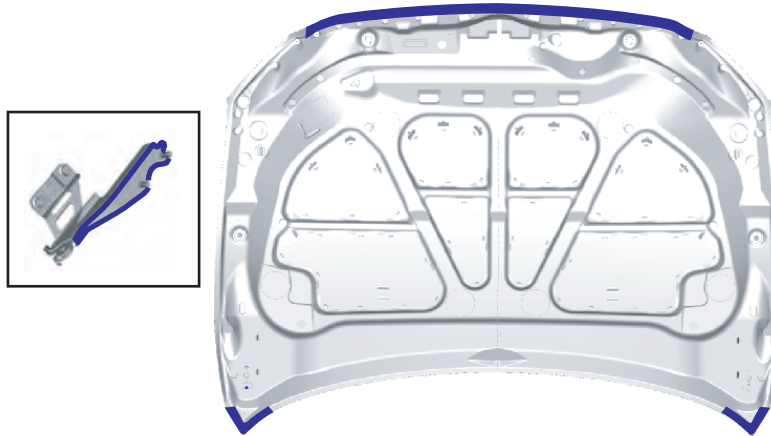
aatjb00000335

# BODY STRUCTURE [WATER-PROOF AND RUST PREVENTIVE]

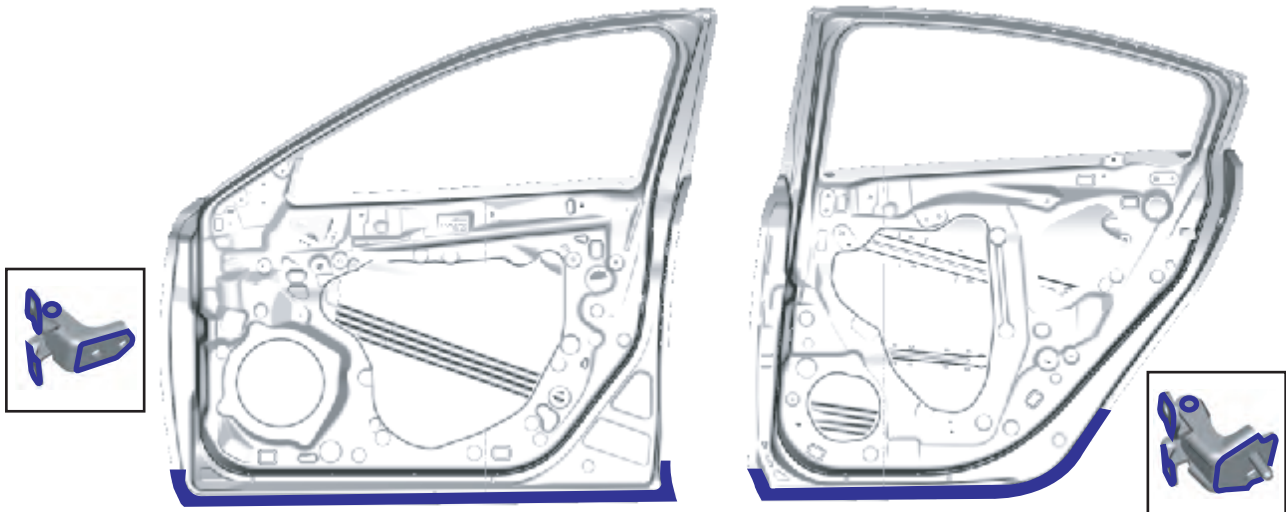
## RUST PREVENTIVE TREATMENT [WATER-PROOF AND RUST PREVENTIVE]

id098009740100

HOOD



DOOR



TRUNK LID



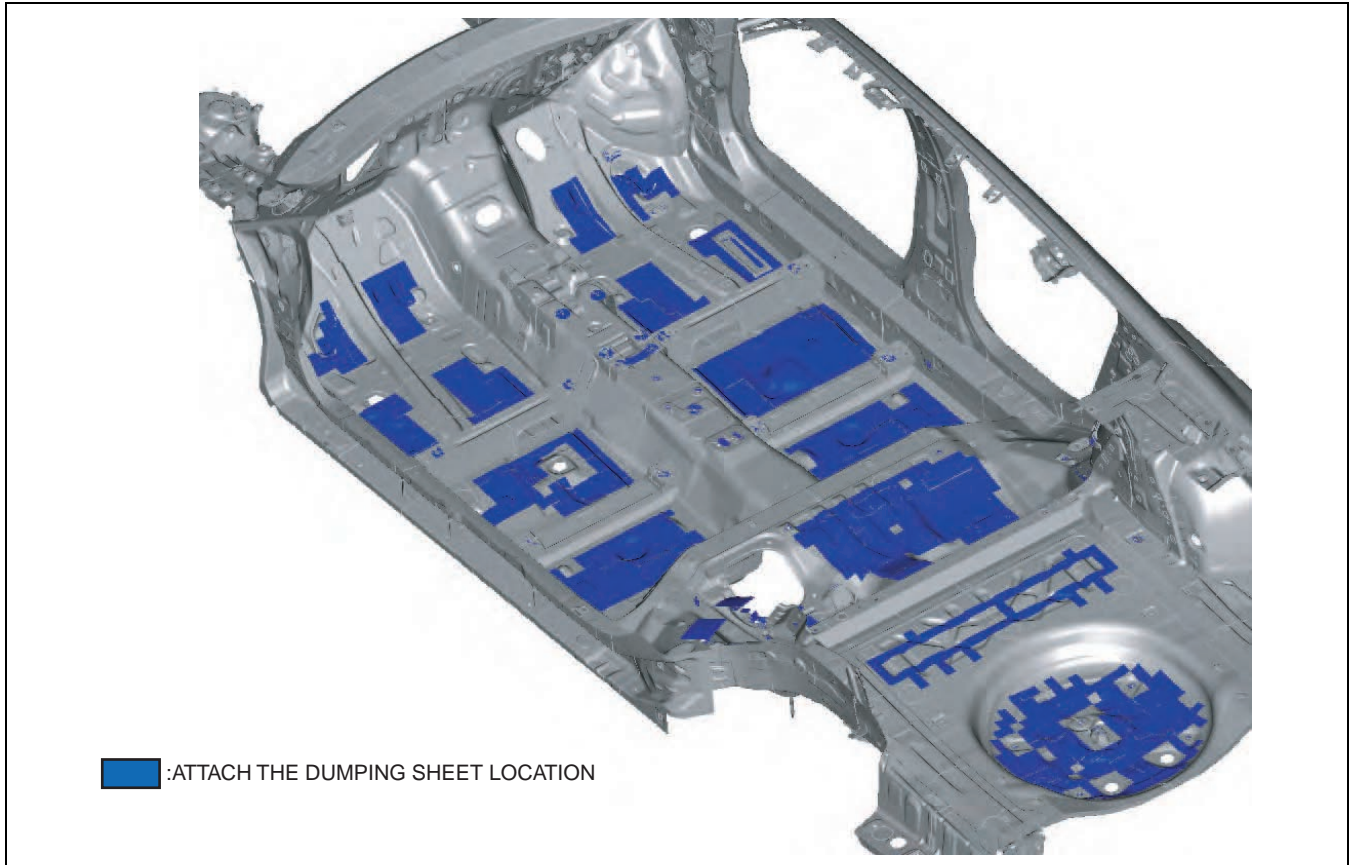
am6xub0000011

## BODY STRUCTURE [WATER-PROOF AND RUST PREVENTIVE]

### DUMPING SHEET REPLACEMENT [WATER-PROOF AND RUST PREVENTIVE]

id098009745700

- After repairing the body, attach the dumping sheet to the location shown in the figure for noise insulation.



09-80C

am6zzb0000050



## 09-80D BODY STRUCTURE [DIMENSIONS]

### UNDERBODY DIMENSIONS

[DIMENSIONS] ..... 09-80D-2

### FRONT WHEEL ALIGNMENT

[DIMENSIONS] ..... 09-80D-3

Steering Angle Adjustment ..... 09-80D-4

Total Toe-in Adjustment ..... 09-80D-4

### REAR WHEEL ALIGNMENT

[DIMENSIONS] ..... 09-80D-5

Total Toe-in Adjustment ..... 09-80D-5

### FRONT BODY DIMENSIONS (1)

[DIMENSIONS] ..... 09-80D-6

### FRONT BODY DIMENSIONS (2)

[DIMENSIONS] ..... 09-80D-7

### CABIN SIDE FRAME DIMENSIONS

[DIMENSIONS] ..... 09-80D-9

### ROOM DIMENSIONS (1)

[DIMENSIONS] ..... 09-80D-11

### ROOM DIMENSIONS (2)

[DIMENSIONS] ..... 09-80D-13

### ROOM DIMENSIONS (3)

[DIMENSIONS] ..... 09-80D-14

### REAR BODY DIMENSIONS

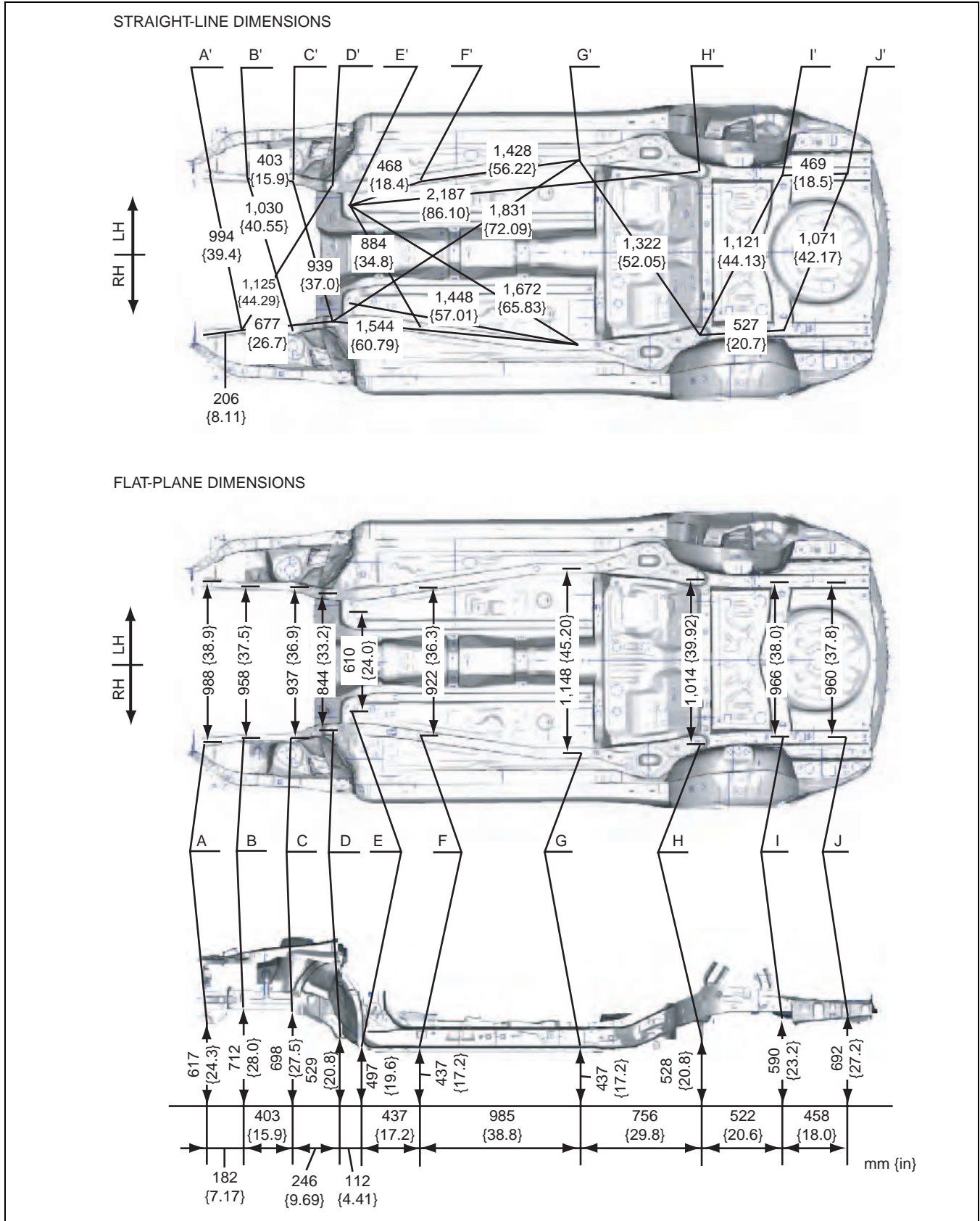
[DIMENSIONS] ..... 09-80D-15

# BODY STRUCTURE [DIMENSIONS]

## UNDERBODY DIMENSIONS [DIMENSIONS]

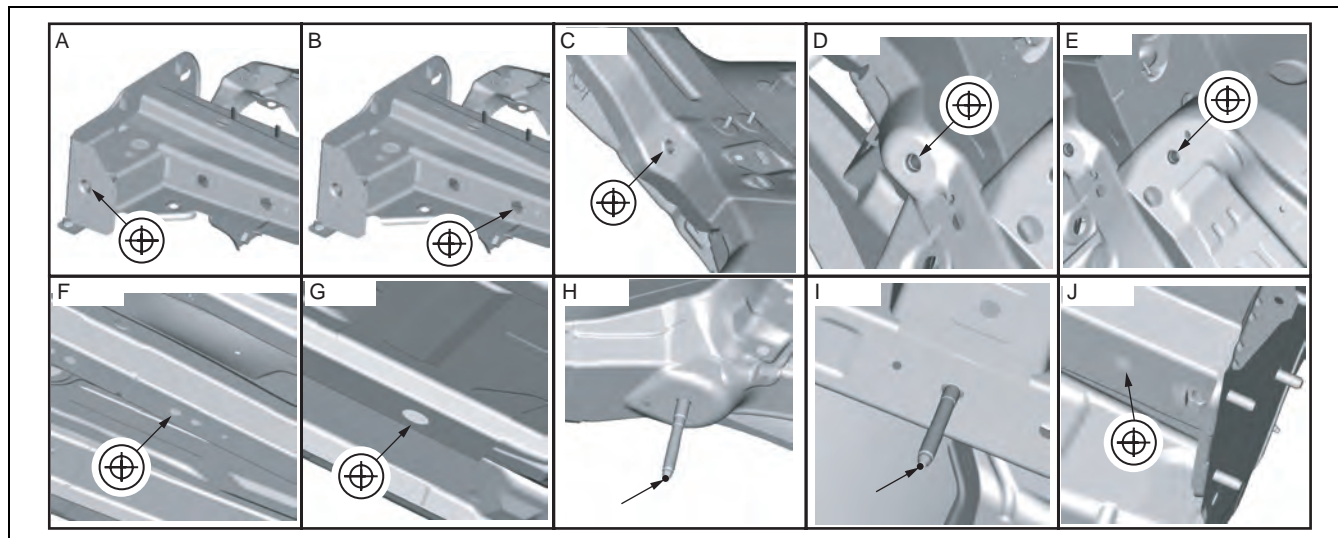
id098010990000

- The following figures are bottom and side views.



am6zzb000050

## BODY STRUCTURE [DIMENSIONS]



aatjib00000284

09-80D

Point symbol	Designation	Hole diameter or bolt or nut size (mm {in})
A	Front crossmember installation hole	φ20 {0.79}
B	Front side frame datum hole	φ16 {0.63}
C	Front crossmember installation hole	φ22.5 {0.886}
D	Front crossmember installation hole	φ19 {0.75}
E	Front crossmember installation hole	φ22 {0.87}

Point symbol	Designation	Hole diameter or bolt or nut size (mm {in})
F	Front B frame datum hole	φ16 {0.63}
G	Front B frame datum hole	φ25 {0.98}
H	Rear crossmember installation bolt	M12
I	Rear crossmember installation bolt	M12
J	Rear side frame datum hole	φ16 {0.63}

## FRONT WHEEL ALIGNMENT [DIMENSIONS]

id098010898900

### Front wheel alignment (Unloaded)\*1

Item		Fuel gauge indication				
		Empty	1/4	1/2	3/4	Full
Maximum steering angle [Tolerance ±3°]	Inner	38°36'				
	Outer	31°54'				
Total toe-in	Tire [Tolerance ±4 {0.2}]	2 {0.08}				
	Rim inner [Tolerance ±3 {0.1}]	1.0 {0.04}				
	(degree)	0°10'±0°20'				
Caster angle*2 (Reference value) [Tolerance ±1°]		6°08'	6°11'	6°13'	6°15'	6°17'
Camber angle*2 (Reference value) [Tolerance ±1°]		-0°17'	-0°17'	-0°18'	-0°18'	-0°19'
Steering axis inclination (Reference value)		15°07'	15°08'	15°09'	15°09'	15°10'

\*1 : Engine coolant and engine oil are at specified level. Spare tire, jack and tools are in designated position.

\*2 : Difference between left and right must not exceed 1°30'.

## BODY STRUCTURE [DIMENSIONS]

### Steering Angle Adjustment

1. Loosen the tie-rod end locknuts.
2. Remove the steering gear boot clamp.
3. Turn the tie rods.

#### Standard length L

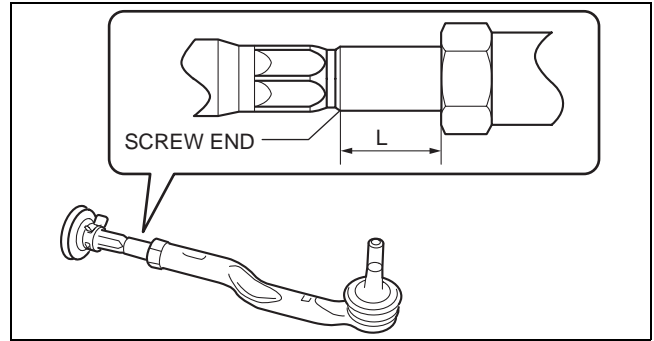
17.7—30.7 mm {0.70—1.20 in}

4. Turn the tie rods equally to provide the correct maximum steering angle.
5. Tighten the tie-rod end locknuts.

#### Tightening torque

69—98 N·m {7.1—9.9 kgf·m, 51—72 ft·lbf}

6. Verify that the boot is not twisted, and install the boot clamp.
7. Adjust the toe-in after adjusting the steering angle.



am6zzw0000945

### Total Toe-in Adjustment

1. Loosen the locknut of the tie-rod end.
2. Remove the rack boot clamp.
3. Adjust the total toe-in by rotating each tie rod (left and right) in the opposite directions by the same amount respectively.

#### Note

- If toe-in is measured at the tires, the change on one wheel is **approx. 7 mm {0.3 in}** per one rotation of the tie rod.
- Each tie rod has a right-hand thread. When increasing the toe-in angle, rotate the right tie rod toward the front of the vehicle and rotate the left tie rod toward the rear of the vehicle by the same amount.

4. Tighten the locknut of the tie-rod end.

#### Tightening torque

69—98 N·m {7.1—9.9 kgf·m, 51—72 ft·lbf}

5. Verify that the rack boot does not have any twisting and install the rack boot clamp.

# BODY STRUCTURE [DIMENSIONS]

## REAR WHEEL ALIGNMENT [DIMENSIONS]

id098010899000

### Rear wheel alignment (Unloaded)\*1

Item			Fuel gauge indication				
			Empty	1/4	1/2	3/4	Full
Total toe-in	Tire [Tolerance $\pm 4$ {0.2}]	(mm {in})	2 {0.08}				
	Rim inner [Tolerance $\pm 3$ {0.1}]		1.0 {0.04}				
	(degree)		0°10'±0°20'				
Camber angle*2 (Reference value) [Tolerance $\pm 1^\circ$ ]			-0°53'	-0°56'	-0°58'	-1°00'	-1°03'
Thrust angle (Reference value) [Tolerance $\pm 0^\circ 48'$ ]			0°00'				

\*1 : Engine coolant and engine oil are at specified level. Spare tire, jack and tools are in designated position.

\*2 : Difference between left and right must not exceed 1°30'.

### Total Toe-in Adjustment

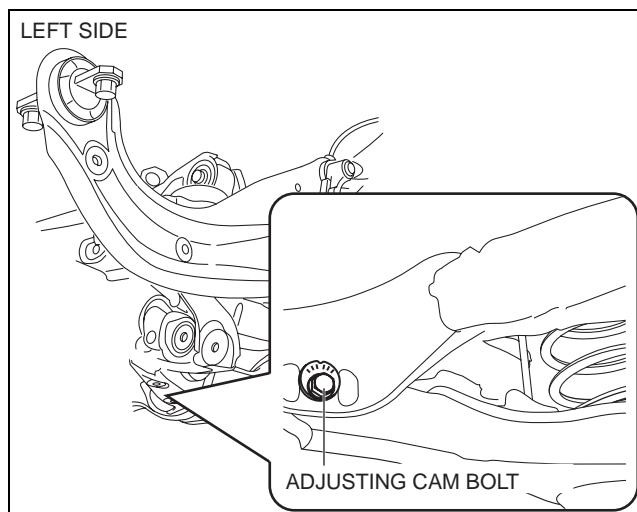
- Loosen the installation nut of the adjusting cam bolt.
- Rotate the adjusting cam bolt in either direction to adjust the toe-in.

	Left wheel	Right wheel
Toe-out direction	Clockwise	Counterclockwise
Toe-in direction	Counterclockwise	Clockwise

- Tighten the nut.

### Tightening torque

84—101 N·m {8.6—10 kgf·m, 62—74 ft·lbf}



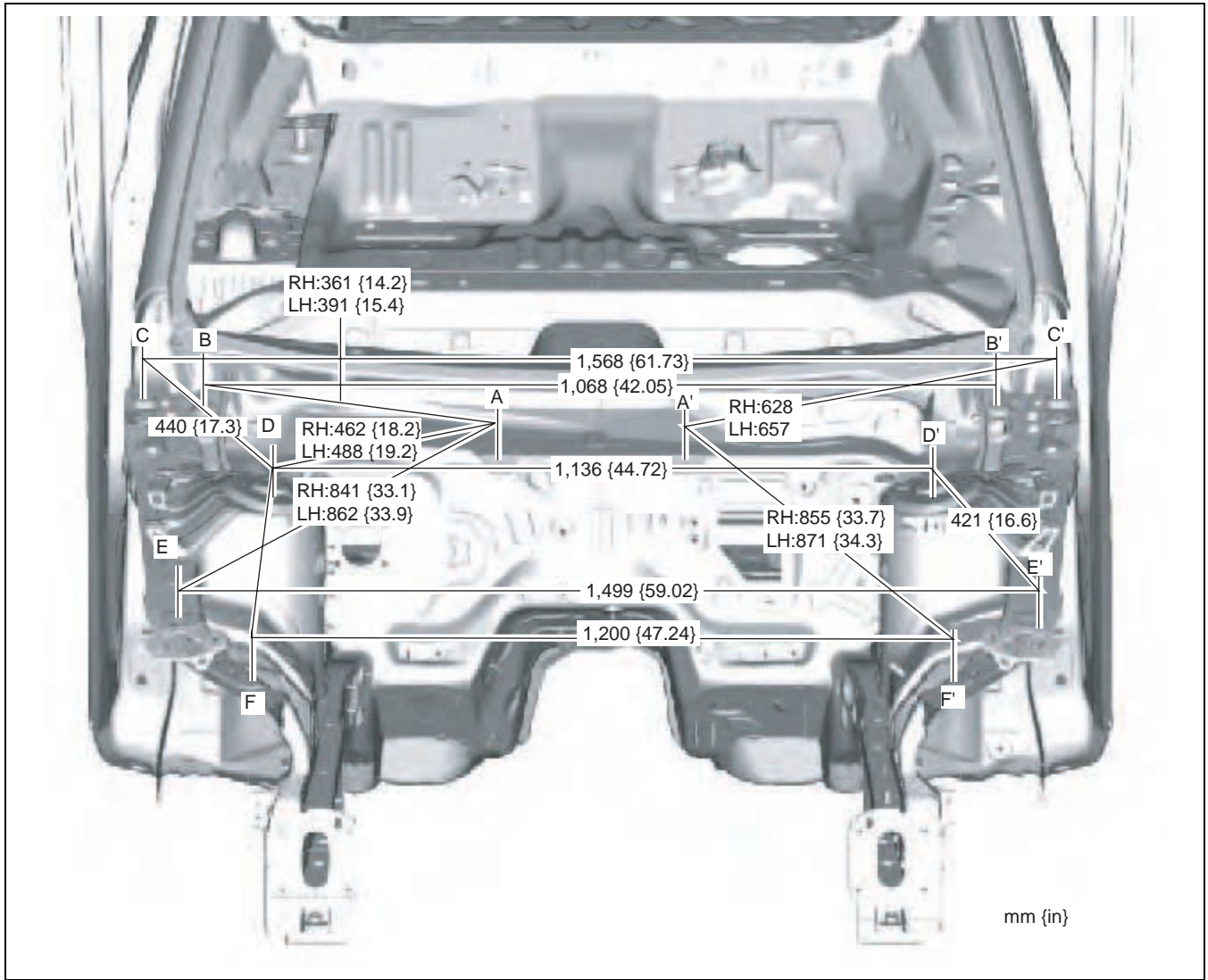
ac5wzw0000245

09-80D

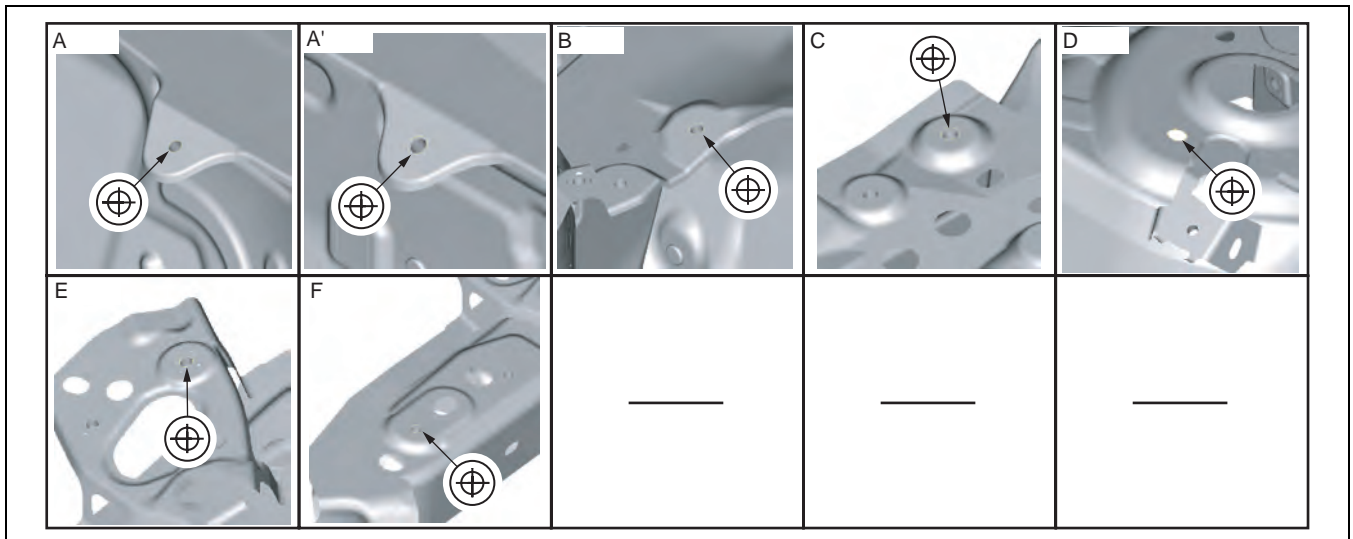
# BODY STRUCTURE [DIMENSIONS]

## FRONT BODY DIMENSIONS (1) [DIMENSIONS]

id098010990100



am6zzb0000050



aatjb00000296

## BODY STRUCTURE [DIMENSIONS]

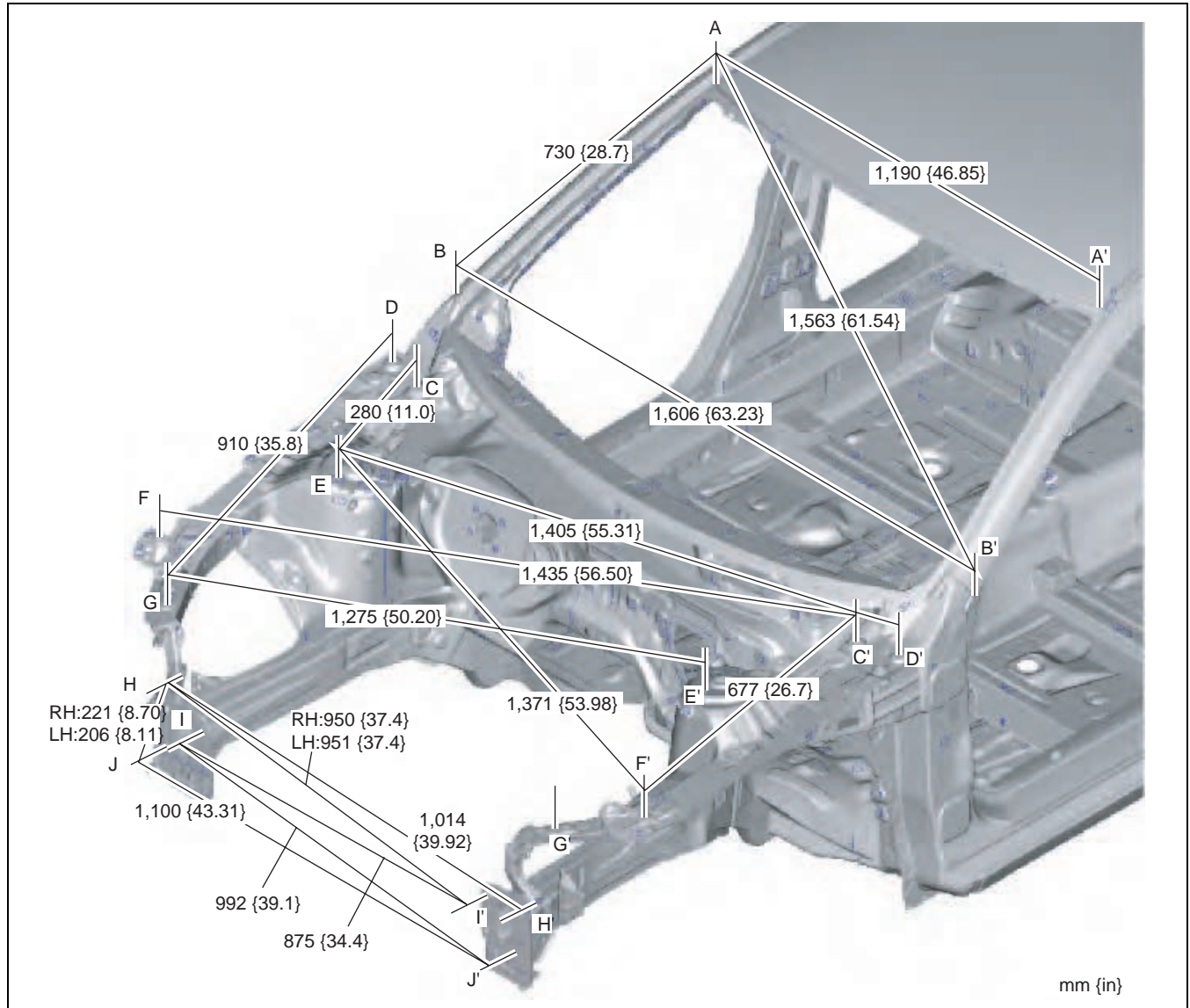
Point symbol	Designation	Hole diameter or bolt or nut size (mm {in})
A	Cowl panel installation nut	M8
B	Cowl panel installation nut	M8
C	Hood hinge installation nut	M8
D	Suspension housing (upper) datum hole	$\phi 10.2$ {0.402}

Point symbol	Designation	Hole diameter or bolt or nut size (mm {in})
E	Front fender panel installation nut	M6
F	Front fender panel installation nut	M6

### FRONT BODY DIMENSIONS (2) [DIMENSIONS]

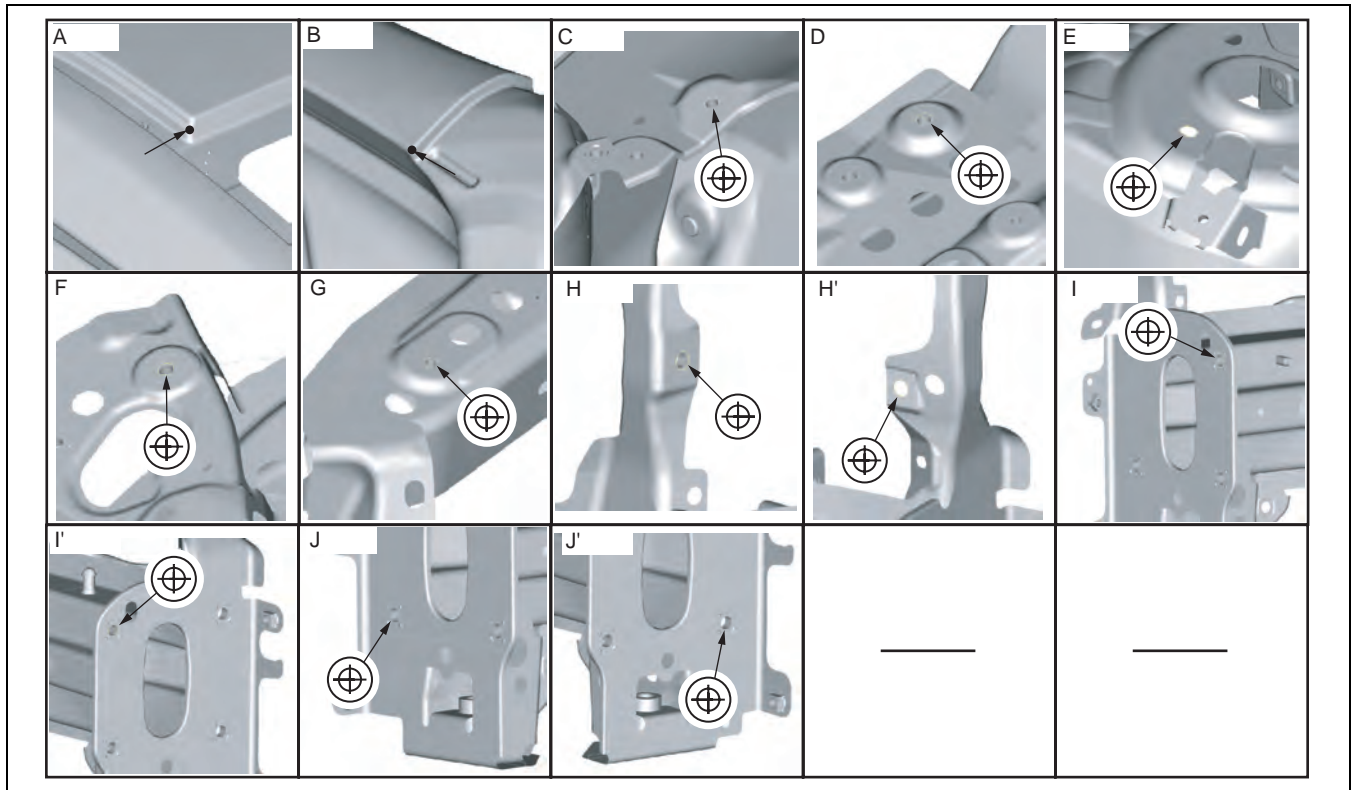
id098010990200

09-80D



am6zzb0000050

## BODY STRUCTURE [DIMENSIONS]



ac5wzb00000168

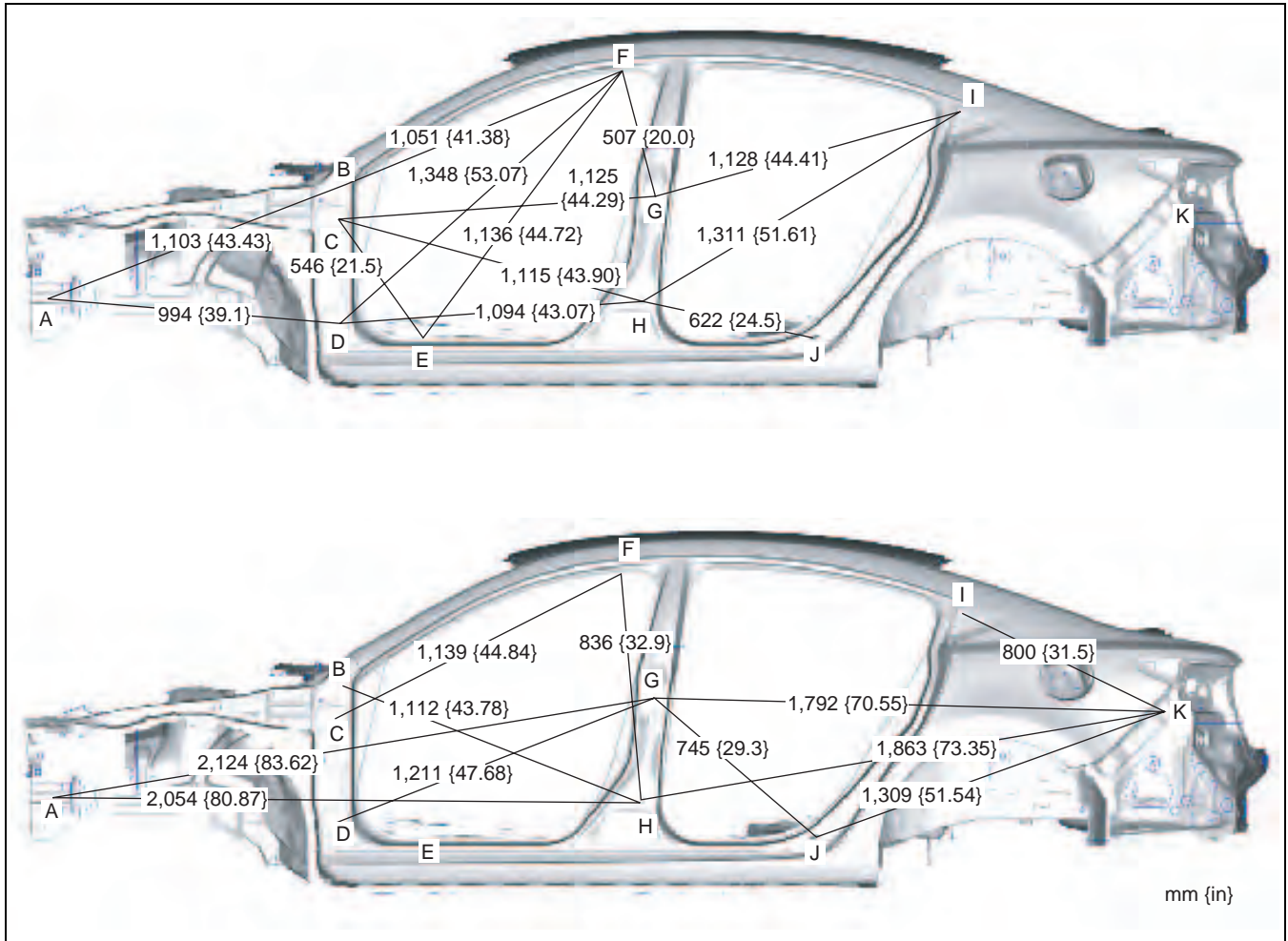
Point symbol	Designation	Hole diameter or bolt or nut size (mm {in})
A	Roof projection location	-
B	Cabin side outer frame (front pillar outer) projection location	-
C	Cowl panel installation nut	M8
D	Hood hinge installation nut	M8
E	Suspension housing (upper) datum hole	$\phi 10.2$ {0.402}

Point symbol	Designation	Hole diameter or bolt or nut size (mm {in})
F	Front fender panel installation nut	M6
G	Shroud upper member installation nut	M6
H	Shroud side stay datum hole	$\phi 10$ {0.39}
I	Front bumper reinforcement installation nut	M10
J	Front bumper reinforcement installation nut	M10

# BODY STRUCTURE [DIMENSIONS]

## CABIN SIDE FRAME DIMENSIONS [DIMENSIONS]

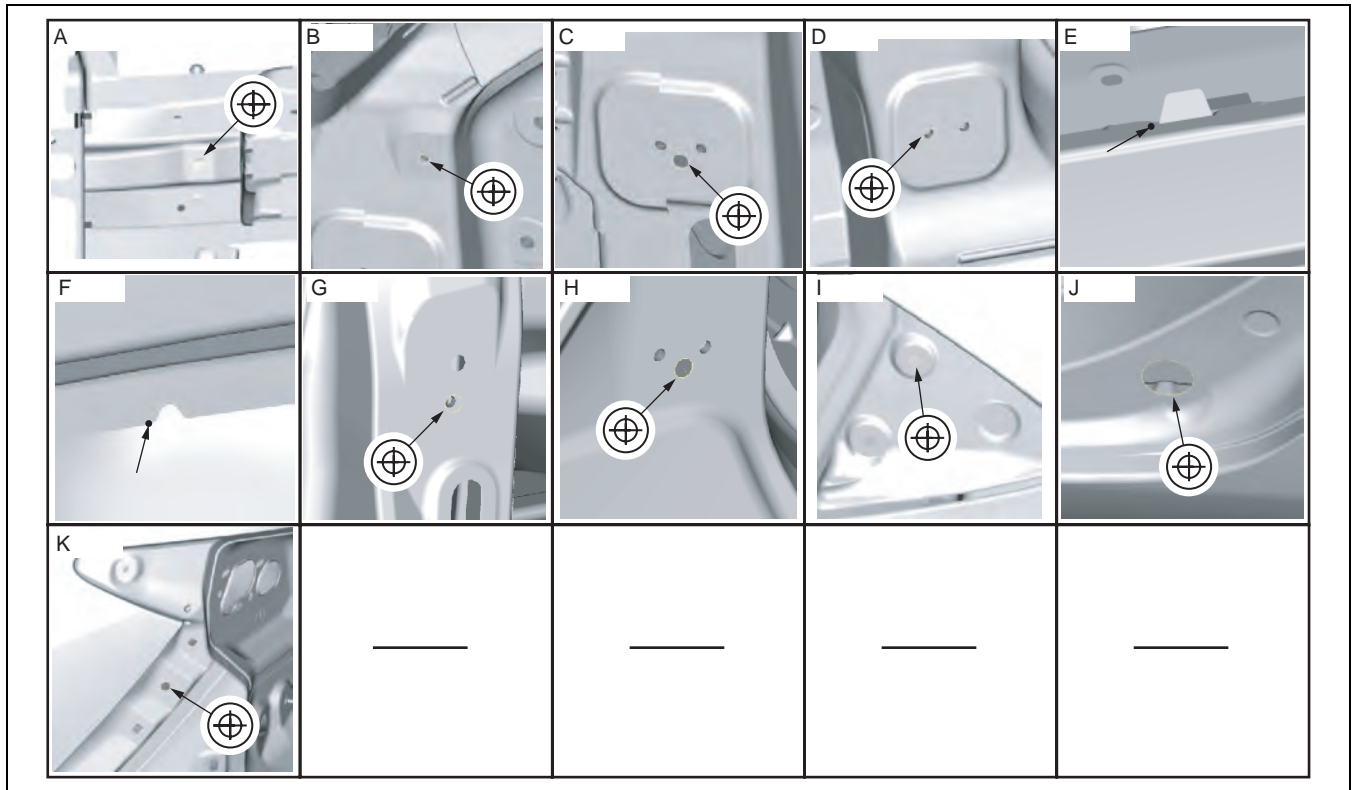
id098010990400



09-80D

am6zzb0000050

## BODY STRUCTURE [DIMENSIONS]



aatjib00000294

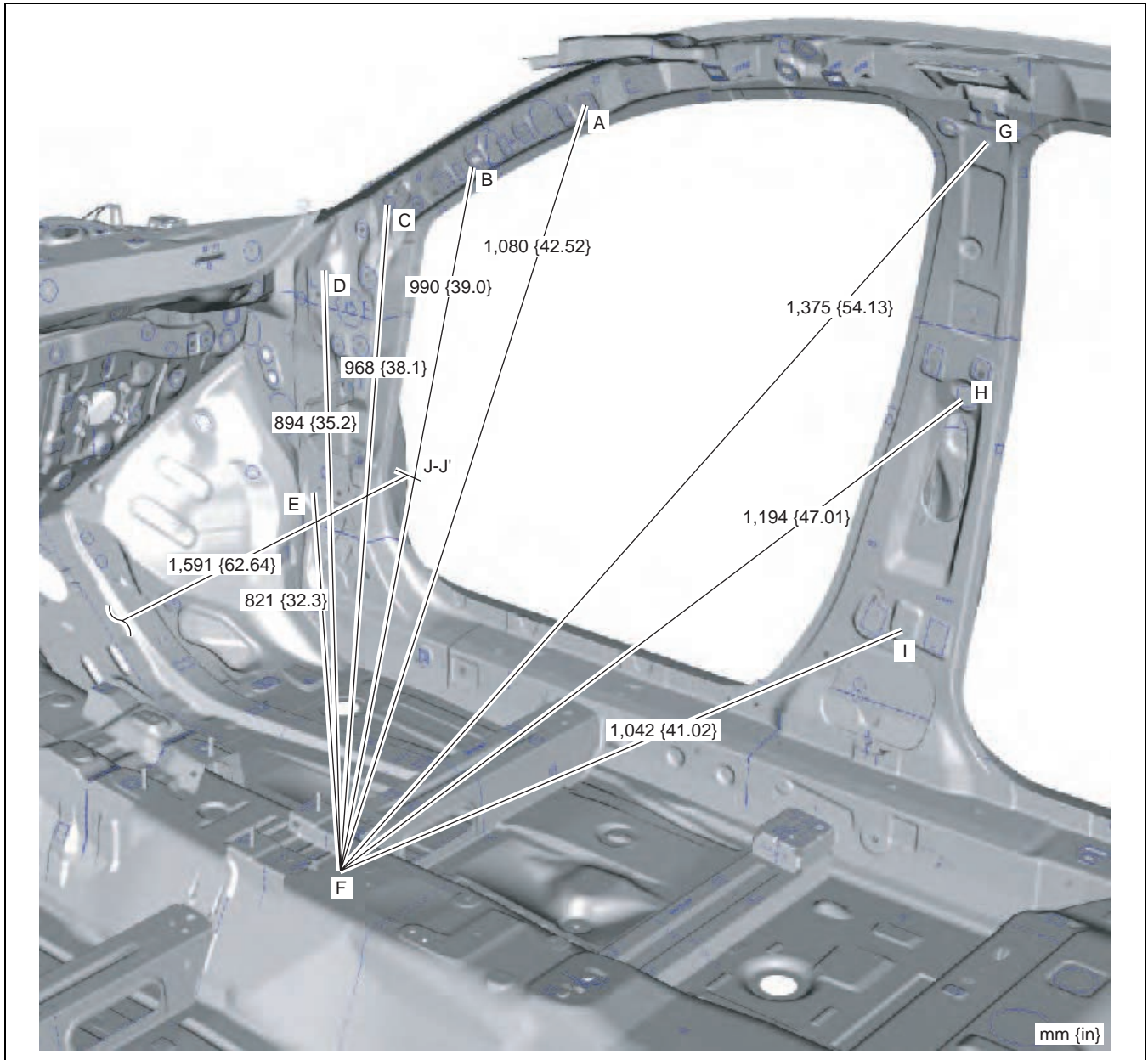
Point symbol	Designation	Hole diameter or bolt or nut size (mm {in})
A	Front side frame (outer) datum hole	φ12 {0.47}
B	Front fender installation nut	M6
C	Front door hinge installation hole	φ12 {0.47}
D	Front door hinge installation nut	M8
E	Cabin side frame (outer) notch	—
F	Cabin side frame (outer) notch	—

Point symbol	Designation	Hole diameter or bolt or nut size (mm {in})
G	Rear door hinge installation nut	M8
H	Rear door hinge installation hole	φ12 {0.47}
I	Rear pillar garnish installation hole	φ8 {0.3}
J	Hole cover installation hole	φ37 {1.5}
K	Cabin side frame (outer) datum hole	φ12 (0.47)

# BODY STRUCTURE [DIMENSIONS]

## ROOM DIMENSIONS (1) [DIMENSIONS]

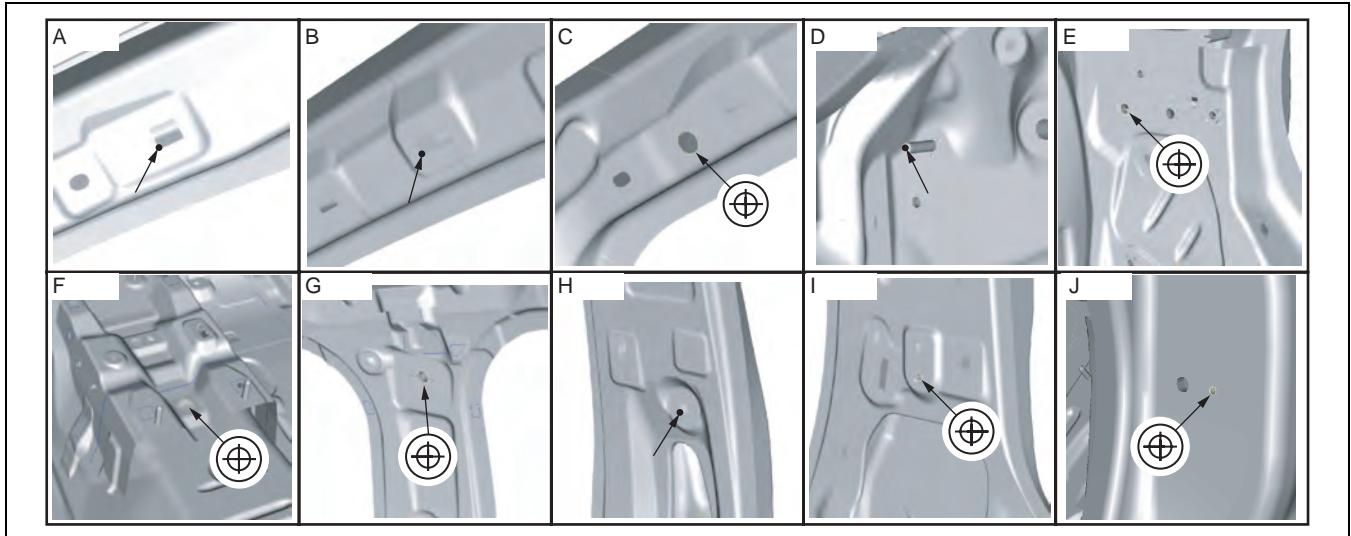
id098010990500



09-80D

am6zzb000050

## BODY STRUCTURE [DIMENSIONS]



aatjib00000301

Point symbol	Designation	Hole diameter or bolt or nut size (mm {in})
A	A pillar trim installation square hole	11 X 13 {0.43 X 0.51}
B	A pillar trim installation square hole	20 X 8 {0.79 X 0.3}
C	Front pillar datum hole	φ12 {0.47}
D	Dashboard installation stud pin	—
E	Side sill (inner) datum nut	M8

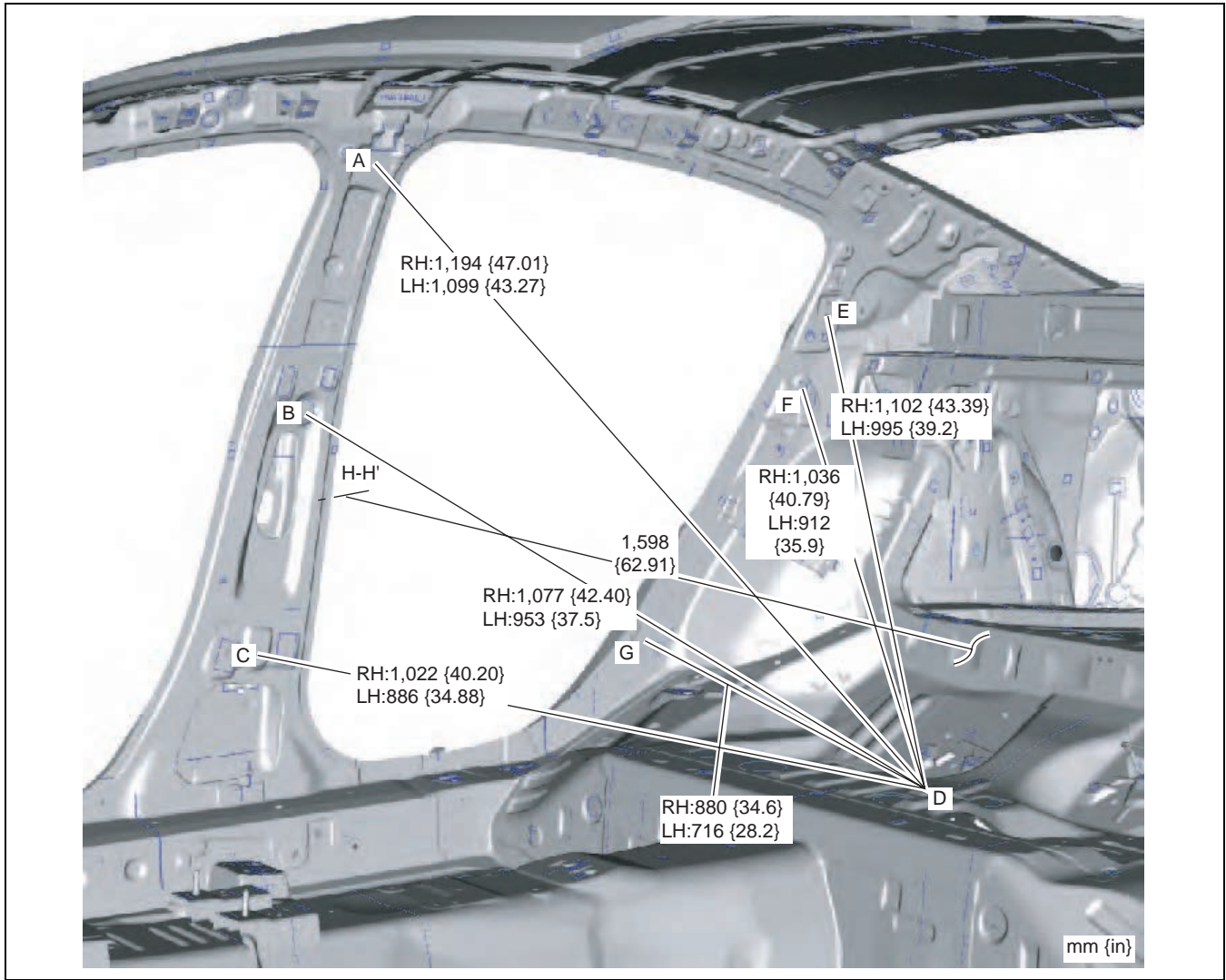
Point symbol	Designation	Hole diameter or bolt or nut size (mm {in})
F	Tunnel reinforcement datum hole	φ20 {0.79}
G	Front seat belt upper anchor installation nut	M10
H	Center pillar (inner) datum square hole	7 X 7 {0.3 X 0.3}
I	Pre-tensioner seat belt installation nut	M10
J	Front door checker installation hole	φ4 {0.2}

# BODY STRUCTURE [DIMENSIONS]

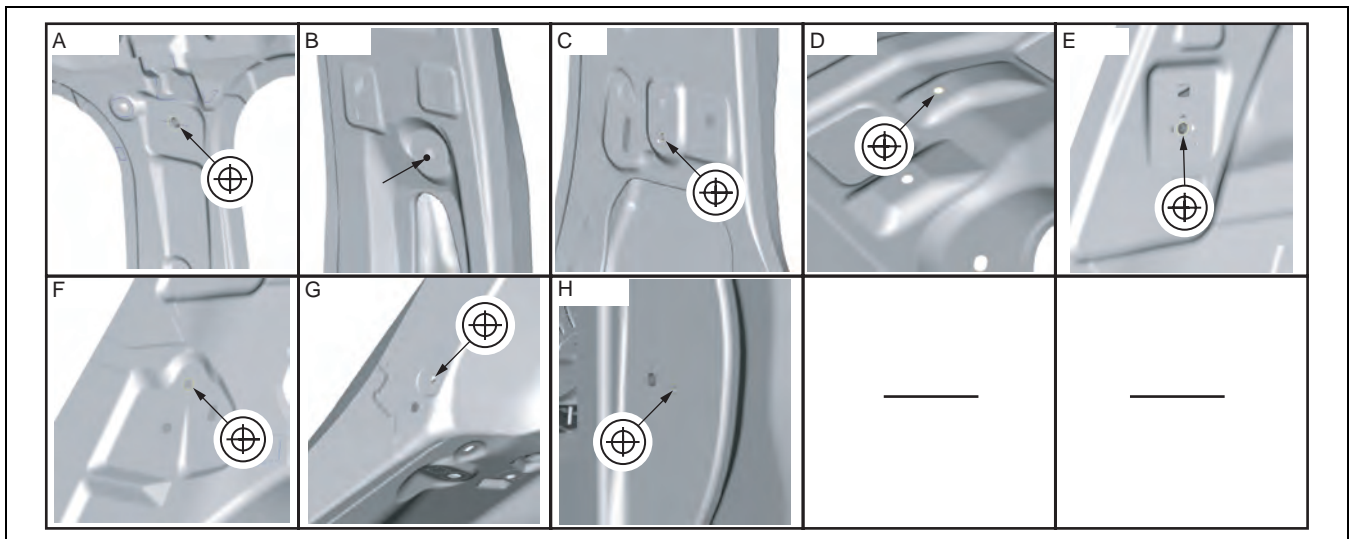
## ROOM DIMENSIONS (2) [DIMENSIONS]

id098010990600

09-80D



am6zzb0000051



aatjib00000302

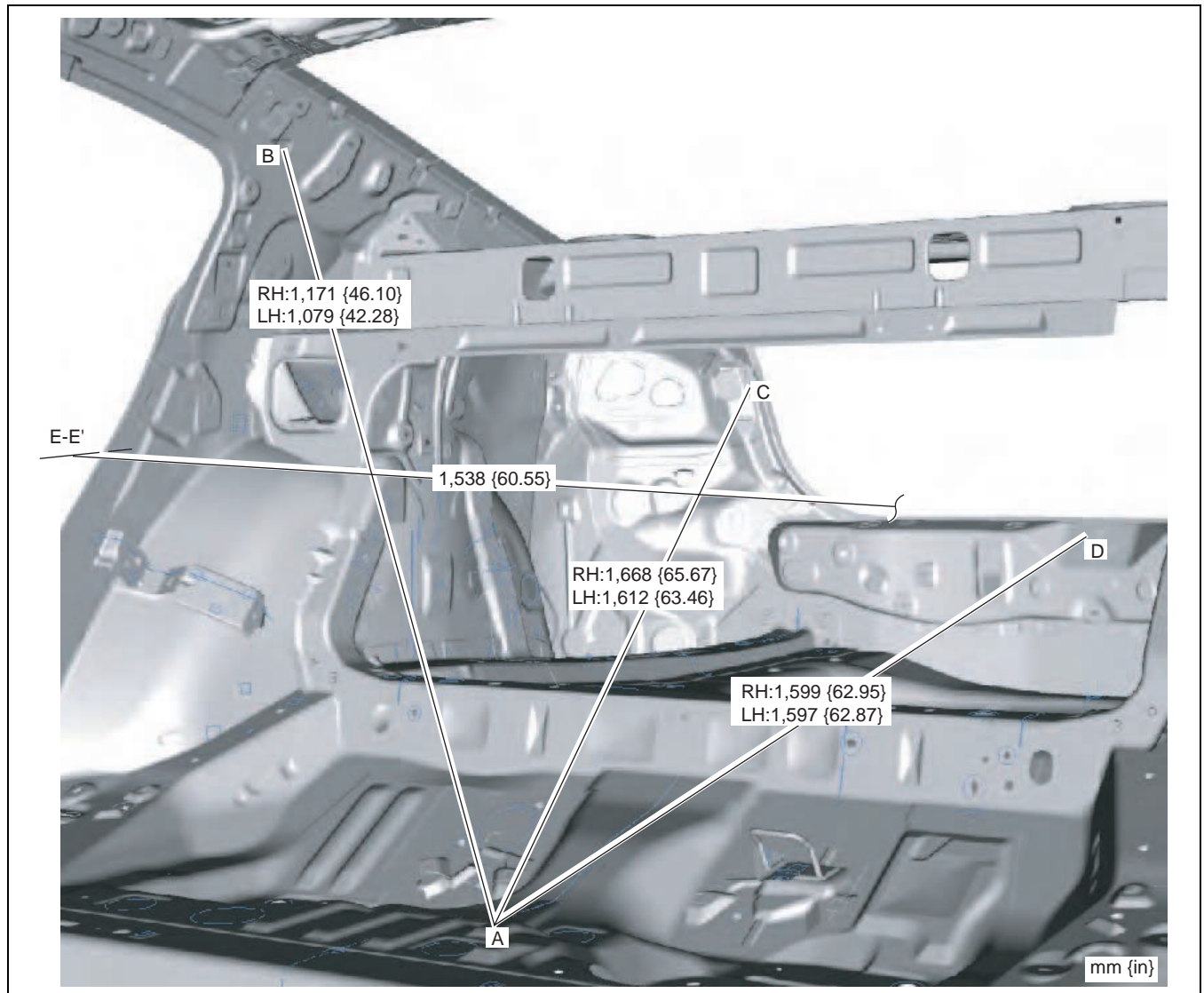
## BODY STRUCTURE [DIMENSIONS]

Point symbol	Designation	Hole diameter or bolt or nut size (mm {in})
A	Front seat belt upper anchor installation nut	M10
B	Center pillar (inner) datum square hole	7x7 {0.3 X 0.3}
C	Pre-tensioner seat belt installation nut	M6
D	Center floor panel datum hole	φ6 {0.2}

Point symbol	Designation	Hole diameter or bolt or nut size (mm {in})
E	RH: Keyless receiver installation nut LH: Condenser installation nut	M6
F	Tire house trim installation hole	φ8.6 {0.34}
G	Rear pillar (inner) datum hole	φ8.6 {0.34}
H	Rear door checker installation hole	φ4 {0.2}

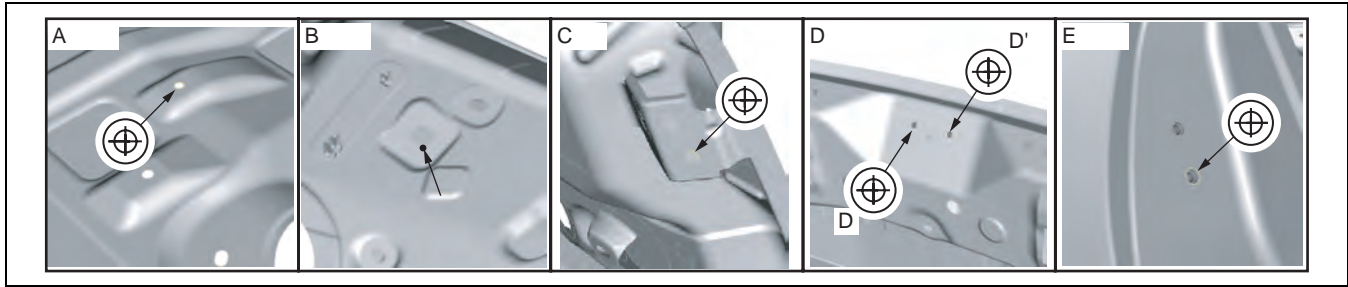
## ROOM DIMENSIONS (3) [DIMENSIONS]

id098010990700



am6zzb0000051

## BODY STRUCTURE [DIMENSIONS]



aatjib00000304

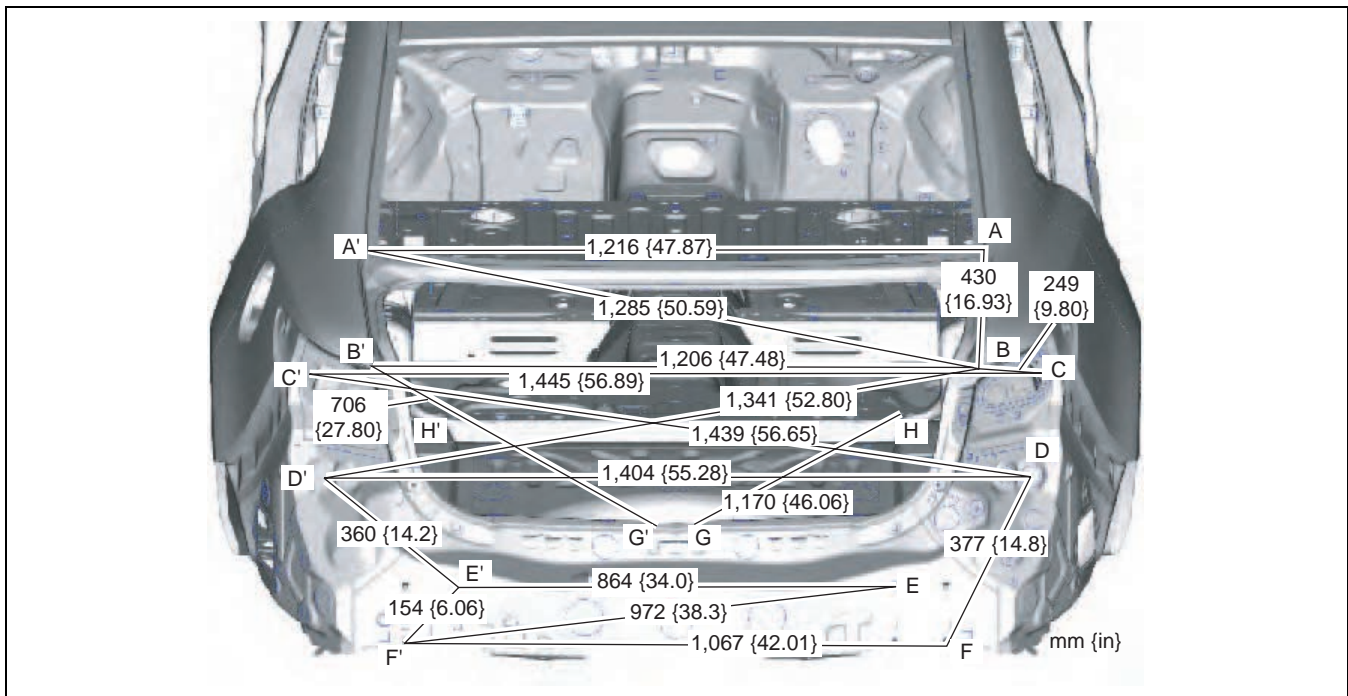
Point symbol	Designation	Hole diameter or bolt or nut size (mm {in})
A	Center floor panel datum hole	φ6 {0.2}
B	C pillar trim installation square hole	11X13 {0.43 X 0.51}
C	Trunk side trim installation hole	φ6 {0.2}

Point symbol	Designation	Hole diameter or bolt or nut size (mm {in})
D	Trunk lid striker installation nut	M6
E	Rear door striker installation hole	φ13 {0.51}

09-80D

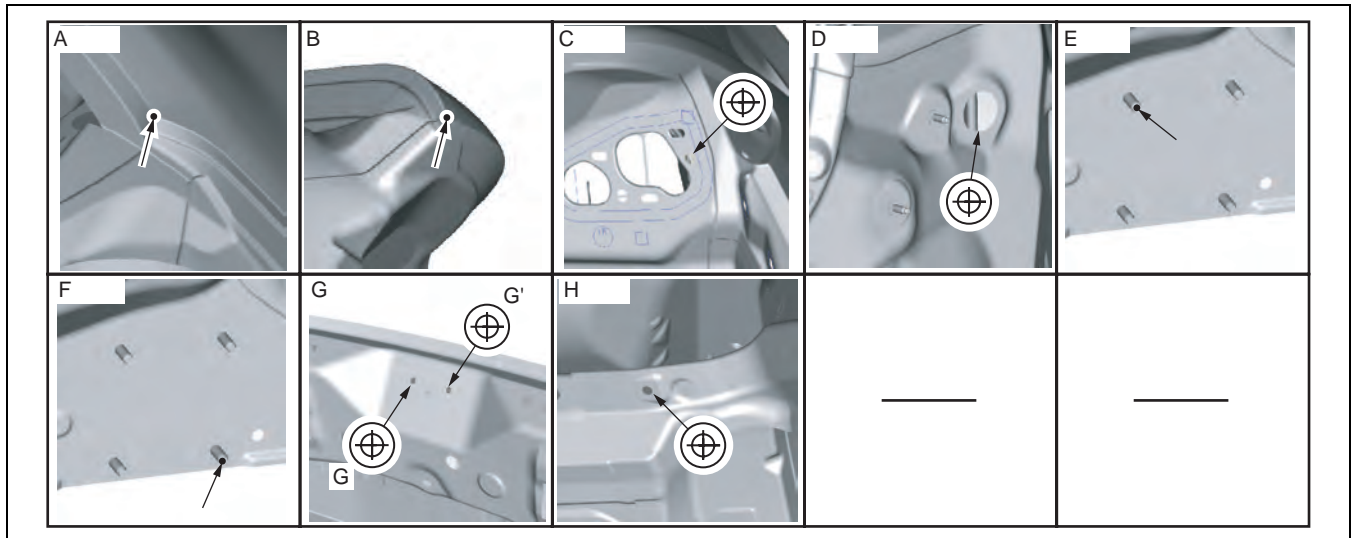
## REAR BODY DIMENSIONS [DIMENSIONS]

id098010990800



am6zzb0000051

## BODY STRUCTURE [DIMENSIONS]



aatjib00000407

Point symbol	Designation	Hole diameter or bolt or nut size (mm {in})
A	Cabin side frame (outer) (rear fender panel) projection location	—
B	Cabin side frame (outer) (rear fender panel) projection location	—
C	Corner plate datum hole	φ10 {0.39}

Point symbol	Designation	Hole diameter or bolt or nut size (mm {in})
D	Rear combination light wiring harness through hole	φ35 {1.4}
E	Rear bumper reinforcement installation bolt	M10
F	Rear bumper reinforcement installation bolt	M10
G	Trunk lid striker installation nut	M6
H	Brace bracket datum hole	φ10 {0.39}

## BODY STRUCTURE [PLASTIC BODY PARTS]

# 09-80E BODY STRUCTURE [PLASTIC BODY PARTS]

PLASTIC PARTS HEAT RESISTING TEMPERATURE [PLASTIC BODY PARTS] ..... 09-80E-1  
 REPAIRABLE RANGE OF POLYPROPYLENE BUMPERS [PLASTIC BODY PARTS] ..... 09-80E-2

Repairable Bumpers ..... 09-80E-2  
 POLYPROPYLENE BUMPER REPAIR [PLASTIC BODY PARTS] ..... 09-80E-3  
 PROCEDURE [PLASTIC BODY PARTS] ..... 09-80E-4

### PLASTIC PARTS HEAT RESISTING TEMPERATURE [PLASTIC BODY PARTS]

id098011740200

Part Name		Code	Material Name	Heat resisting Temperature°C{°F}
Front bumper		PP	POLYPROPYLENE	120 {216}
Cowl grille		PP	POLYPROPYLENE	120 {216}
Front combination light	Lens	PC	POLYCARBONATE	125 {225}
	Housing	PP	POLYPROPYLENE	120 {216}
Power outer mirror	Panel	ABS	ABS	90 {162}
	Visor	AAS	AAS	100 {180}
	Under panel	AAS	AAS	100 {180}
Rear combination light	Lens	PMMA	ACRYLIC	96 {173}
	Housing	AAS	AAS	100 {180}
Rear bumper		PP	POLYPROPYLENE	120 {216}
Reflector	Lens	ABS	ABS	90 {162}
	Housing	PMMA	ACRYLIC	96 {173}
Outer handle lever		PC-PBT	POLYCARBONATE-PBT	125 {212}
Trunk lid light	Lens	PMMA	ACRYLIC	96 {180}
	Housing	AAS	AAS	100 {158}
Liftgate light	Lens	PMMA	ACRYLIC	96 {180}
	Housing	AAS	AAS	100 {158}
High-mount brake light	Lens	PMMA	ACRYLIC	96 {180}
	Housing	PC	POLYCARBONATE	125 {225}
Sail outer garnish		PVC	POLYVINYLCHLORIDE	95 {203}
Front door garnish		AAS	AAS	100 {180}
Rear door garnish		AAS	AAS	100 {180}
Trunk lid garnish		ABS	ABS	90 {162}
Liftgate garnish		PC-ABS	POLYCARBONATE-ABS	100 {180}

09-80E

**Note**

- The application of temperatures higher than heat resisting temperatures may result in part deformation.

# BODY STRUCTURE [PLASTIC BODY PARTS]

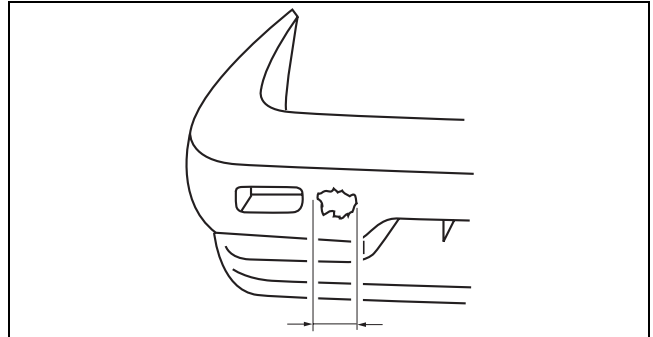
## REPAIRABLE RANGE OF POLYPROPYLENE BUMPERS [PLASTIC BODY PARTS]

id098011600100

The three types of damaged bumpers shown below are considered repairable. Although a bumper which has been damaged greater than this could also be repaired, it should be replaced with a new one because such repair would detract from the looks and quality of the bumper. In addition, such repair is not considered reasonable in terms of work time.

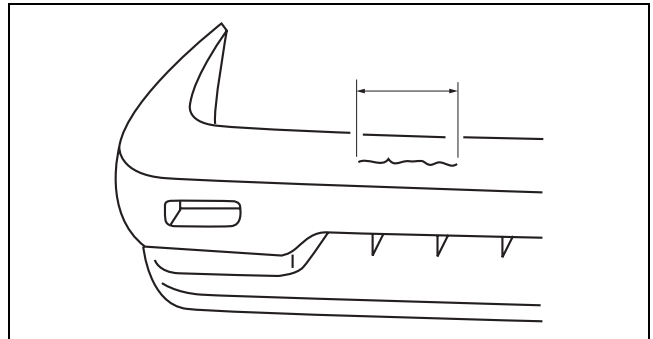
### Repairable Bumpers

1. A bumper with a hole less than 50 mm {1.97 in} in diameter.



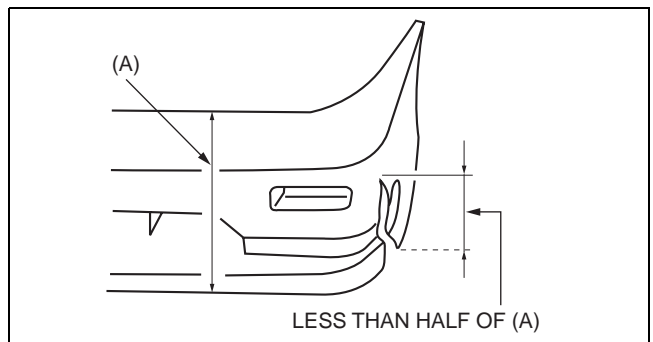
am8rrb00000046

2. A bumper with a crack less than 100 mm {3.94 in} in length.



am8rrb00000047

3. A bumper with a crack less than 100 mm {3.94 in} in length that is less than half of the width of the bumper.



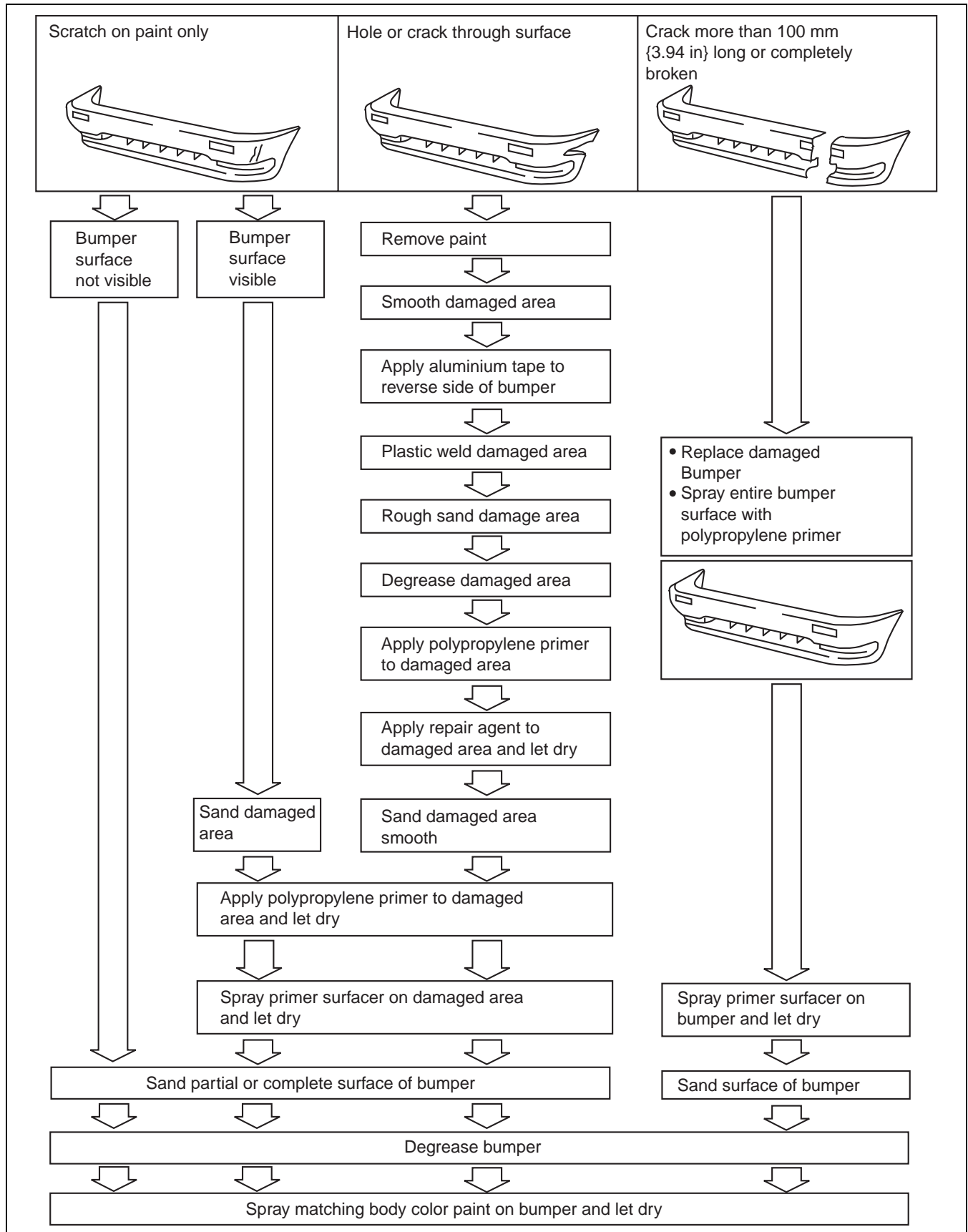
am8rrb00000048

# BODY STRUCTURE [PLASTIC BODY PARTS]

## POLYPROPYLENE BUMPER REPAIR [PLASTIC BODY PARTS]

id098011600200

09-80E



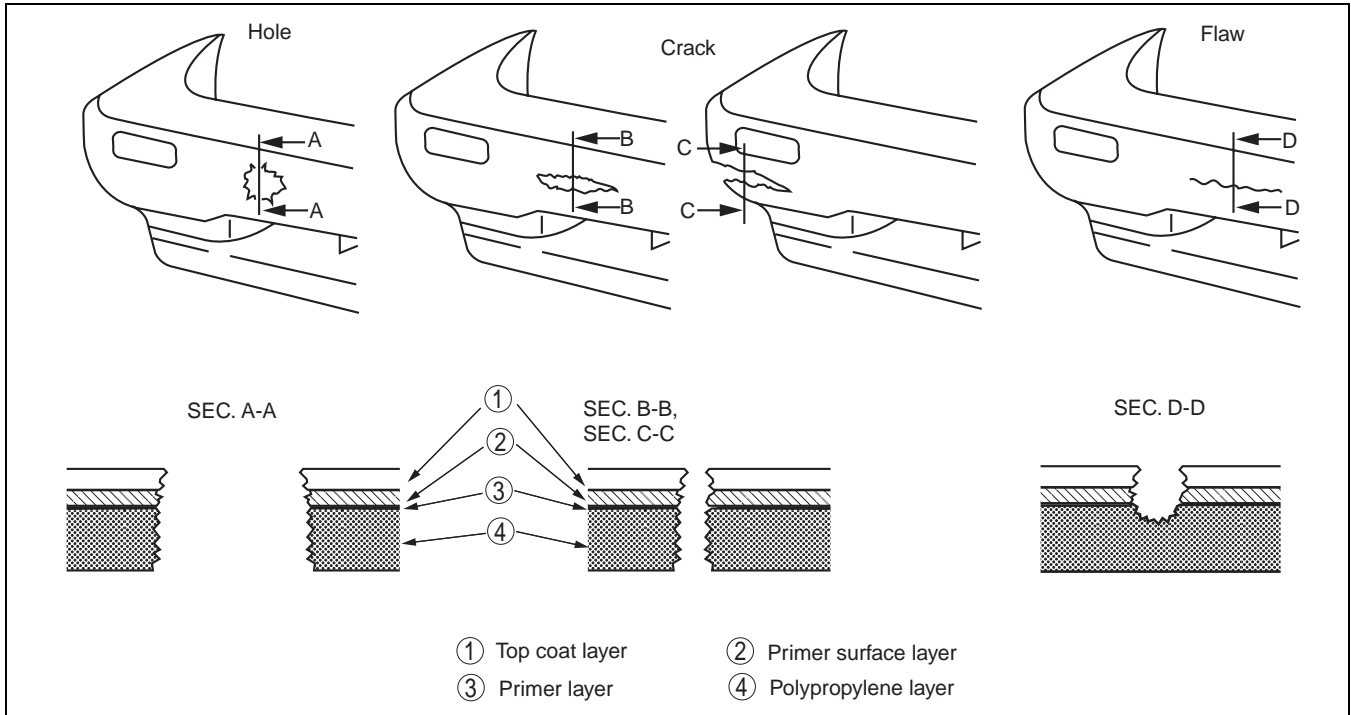
am2uub000000

# BODY STRUCTURE [PLASTIC BODY PARTS]

## PROCEDURE [PLASTIC BODY PARTS]

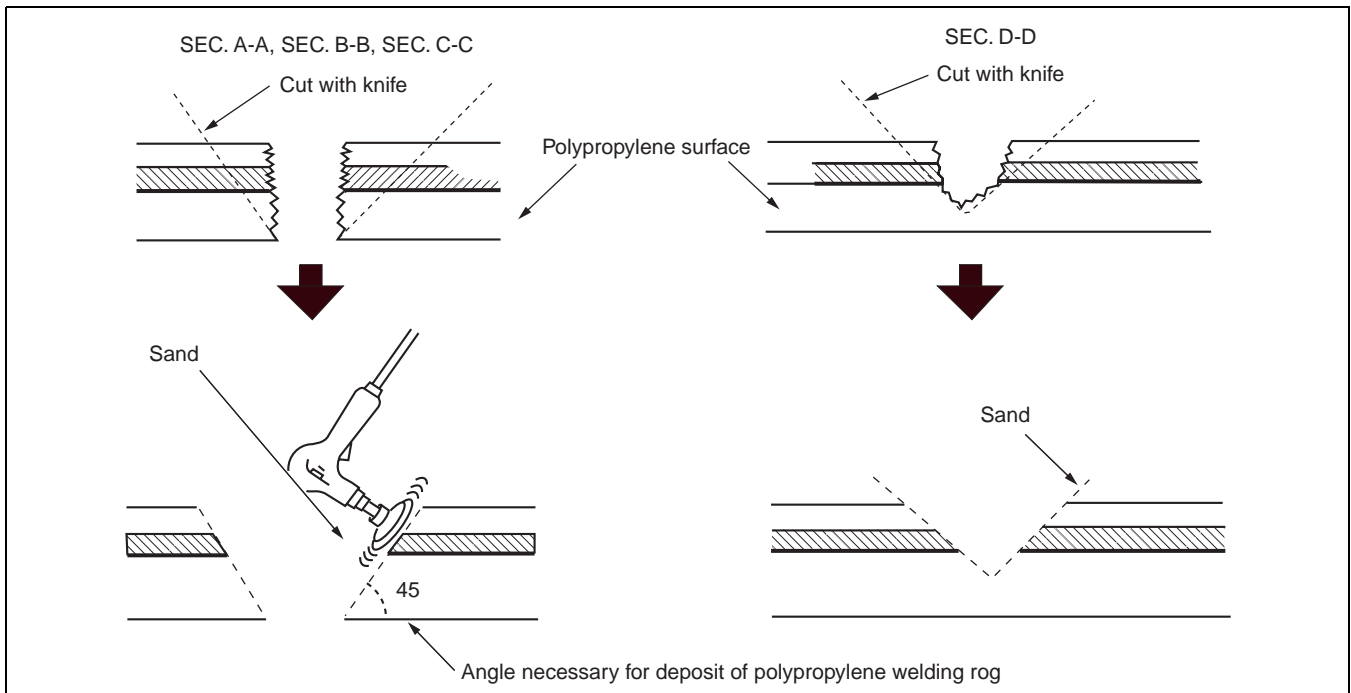
id098011600300

Repair of polypropylene bumpers having damage that has reached the surface of the polypropylene and are too serious to be restored by painting only.



am2uub000001

1. Cut the rough edges around the damage with a knife to make it smooth. Sand the area with a sander to make an angle of about 45°.

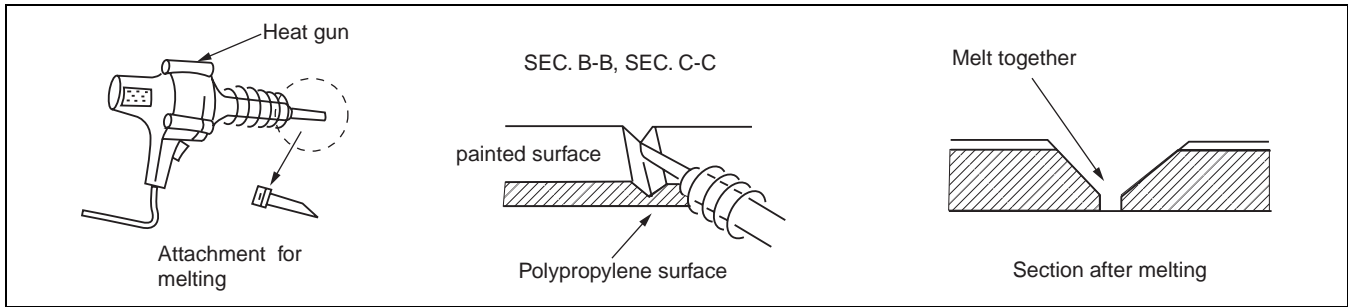


am2uub000001

## BODY STRUCTURE [PLASTIC BODY PARTS]

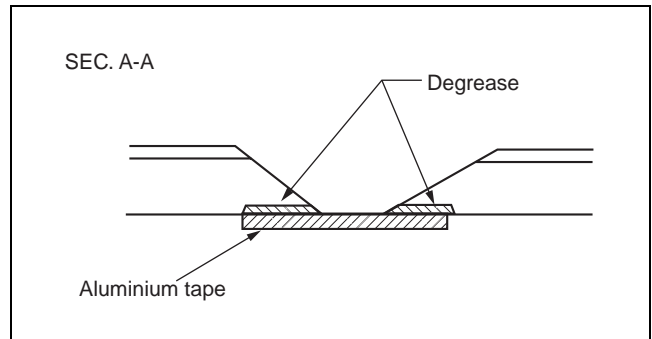
### 2. Weld the damaged area.

- For repair of a cracked area, melt the crack together with a heat gun and a melting attachment.



am2uub0000001

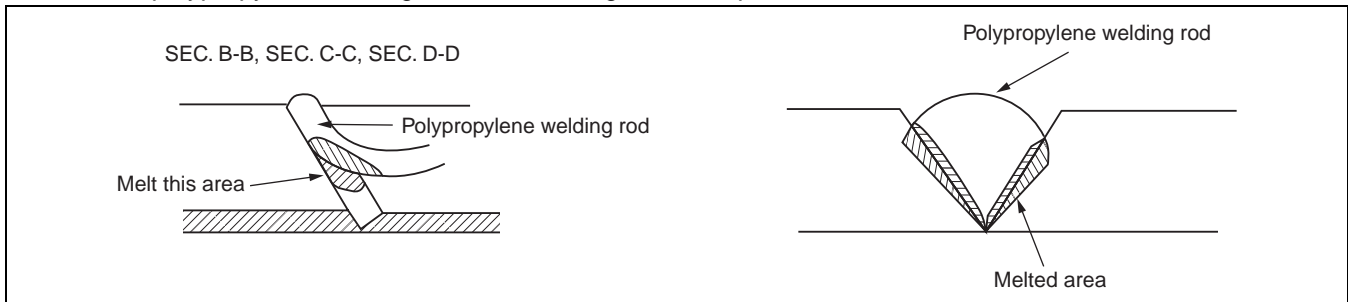
- For repair of a hole, degrease the area on both sides of the bumper and apply aluminium tape on the reverse side of the damage area.



am2uub0000001

09-80E

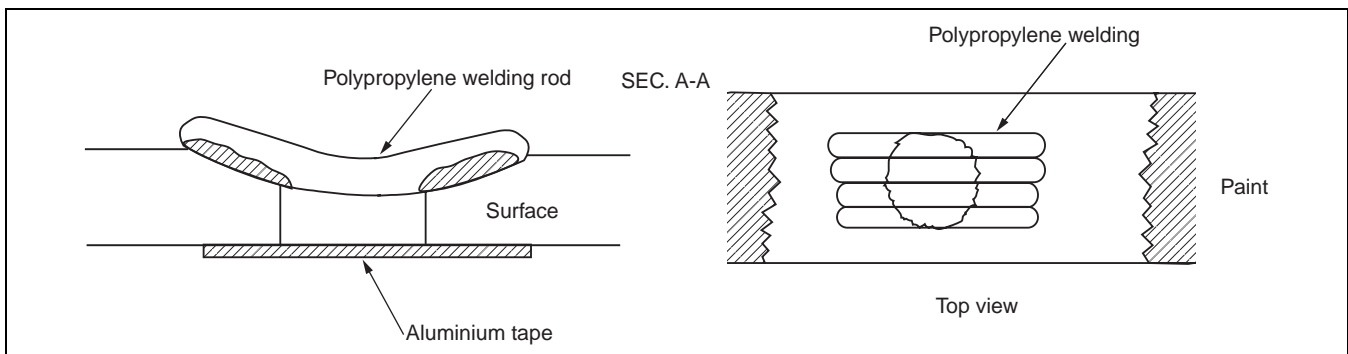
### 3. Melt the polypropylene welding rod with a heat gun and deposit it the cracked area.



am2uub0000001

### Note

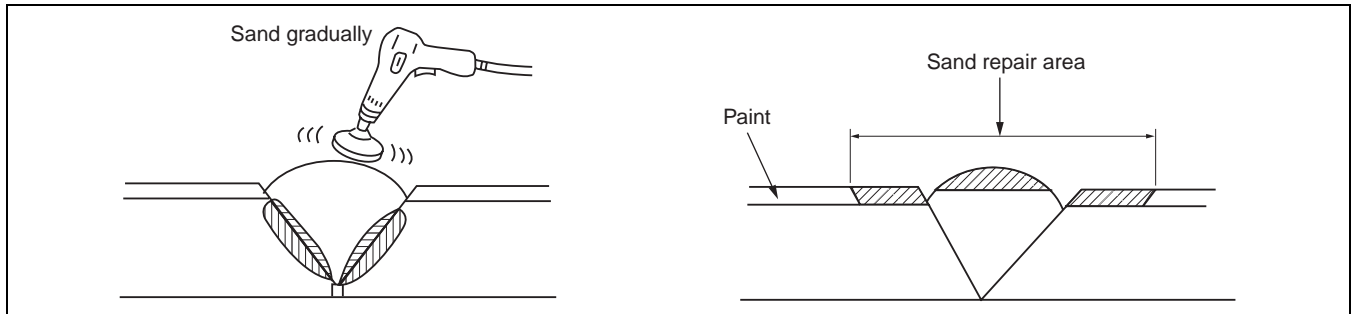
- Heat the shaded area to melt it.
- Take care not to overly melt welding rod. If the part is welded with the welding rod melted like jelly, the welding strength will be reduced.
- Hold the heat gun 10—20 mm {0.39—0.79 in} from the part being welded.
- Do not move the welding rod until the welded parts cool.



am2uub0000001

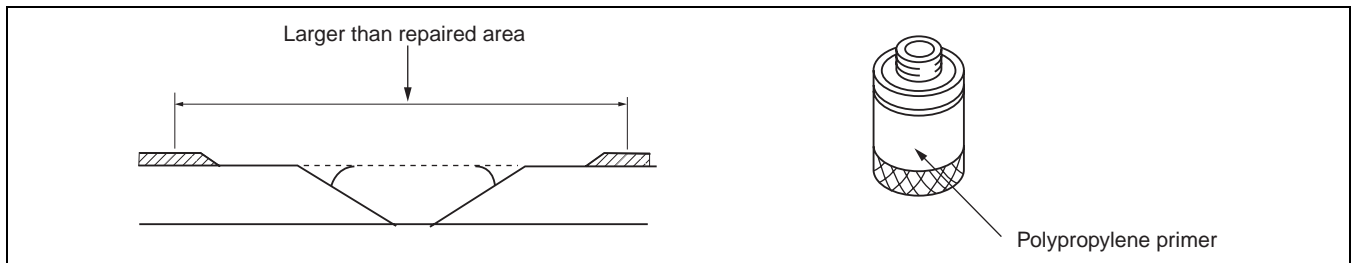
## BODY STRUCTURE [PLASTIC BODY PARTS]

- Sand the surface of the polypropylene gradually as it is easily melted by the abrasion heat. Sand the area to which repair agent will be applied.



am2uub0000001

- Uniformly apply polypropylene primer with a brush to an area larger than the repaired area. Allow to dry about 10 minutes at 20 °C {68 °F}.

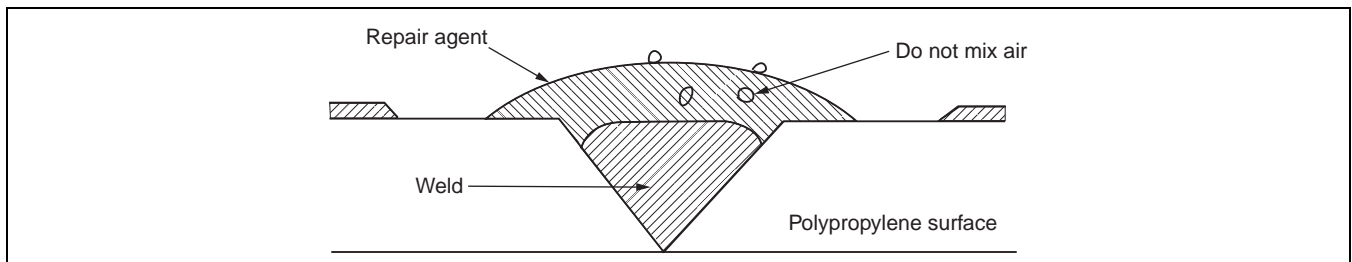


am2uub0000001

- Mix the main agent and the stiffening agent in a ratio of one to one. Apply the mixed repair agent to the damaged area.

### Note

- When mixing the main and stiffening agents, take care not to allow bubbles to form.
- The repair agent hardens quickly (about 5 minutes); proceed with the work immediately after mixing the agents.
- Allow about 30 minutes to dry (20 °C {68 °F}) before sanding.



am2uub0000001

The repair agent is a two part epoxy adhesive.

When the repair agent hardens, it will provide a good finish with the same flexibility as the polypropylenes.

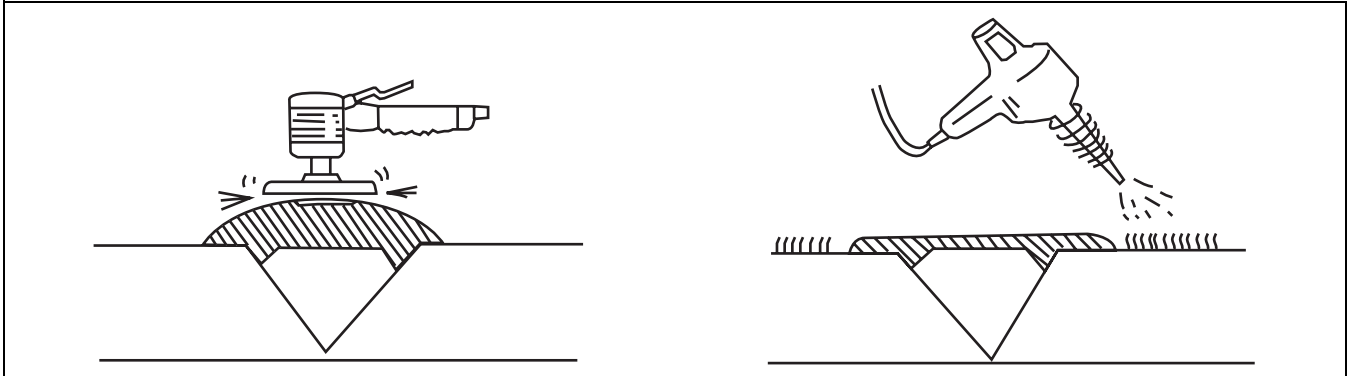
The repair agent for a **urethane** bumper is also a two part adhesive compound. However, this is different from that for a polypropylene bumper. If the incorrect repair agent is used, the repair will be faulty.

## BODY STRUCTURE [PLASTIC BODY PARTS]

7. Sand the area with #180—240 sandpaper.

**Note**

- If excessive force is applied to the area when sanding, the surface will be damaged.
- If fuzz remains around the repaired area, melt it with a heat gun.

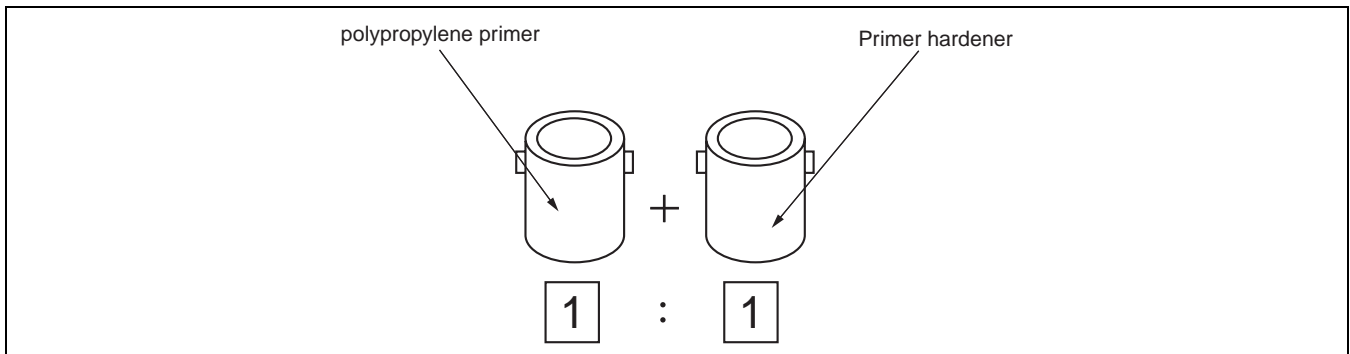


am2uub0000001

09-80E

8. Degrease the painted surface.

9. Mix the primer and the hardener at a ratio of one to one. Apply the primer to the repaired area and the surface of the bumper with a brush or spray.



am2uub0000002

Use the primer within 16 hours after it is mixed.

**Note**

- Polypropylene primer will dissolve even after drying if it is wiped with solvent. Use only water to clean around the primer.

10. Allow the part to dry.

## BODY STRUCTURE [PLASTIC BODY PARTS]

11. Add the softener to the urethane primer surfacer and spray it on the repaired area.

a. Mixing method

Urethane primer surfacer + Softener ..... Mixture A

Mixture A + hardener ..... Mixture B

Dilute mixture B with thinner to spray on bumper

b. Viscosity

14—16 seconds/viscosimeter 20 °C {68 °F}

### Note

- Mix the solutions at the specified ratio.

c. Spray pressure

300—400 kPa {3—4 kg/cm<sup>2</sup>, 43—57 psi}

d. Standard film thickness

30—40 μ

e. Spray method

Spot-spray primer surfacer on bumper three or four times

12. Air drying 20 °C {68 °F} — 8 hours minimum.

Forced drying 60 °C {140 °F} — 1 hour

13. Lightly sand the complete surface of the bumper with #400—#600 sandpaper. Do not expose the surface of the polypropylene. (Wet or dry sanding is acceptable.)

14. Wipe the complete surface of the bumper with degreasing agent. Quickly wipe the surface with a clean rag to degrease it.

15. Apply a matching coat of body color to the polypropylene bumper.

### Note

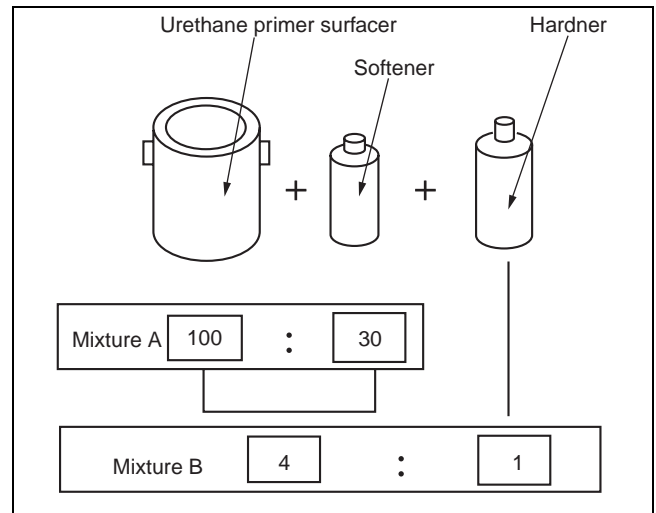
- Be sure to use only urethane primer for a urethane bumper and polypropylene primer for a polypropylene bumper. Other paints for repairing a polypropylene bumper are the same as those for the urethane bumper.

16. Air drying 20 °C {68 °F} — 8 hours minimum.

Forced drying 60 °C {140 °F} — 1 hour

### Note

- Let the part air dry when possible as forced drying could cause bubbles in the top coat.



am2uub000002

**BODY STRUCTURE [CONSTRUCTION STANDARD VALUES]**

**09-80F BODY STRUCTURE [CONSTRUCTION STANDARD VALUES]**

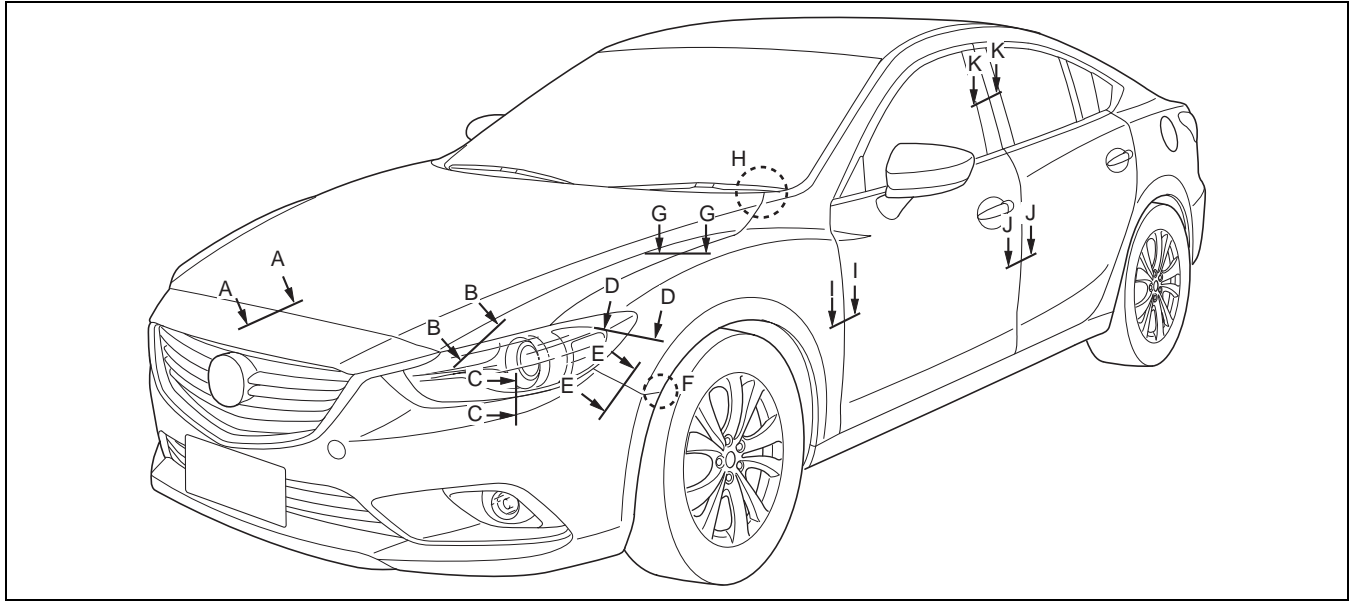
**CONSTRUCTION STANDARD VALUES [CONSTRUCTION STANDARD VALUES]. . . . . 09-80F-1**

Front View . . . . . **09-80F-1**  
Rear View . . . . . **09-80F-2**

**CONSTRUCTION STANDARD VALUES [CONSTRUCTION STANDARD VALUES]**

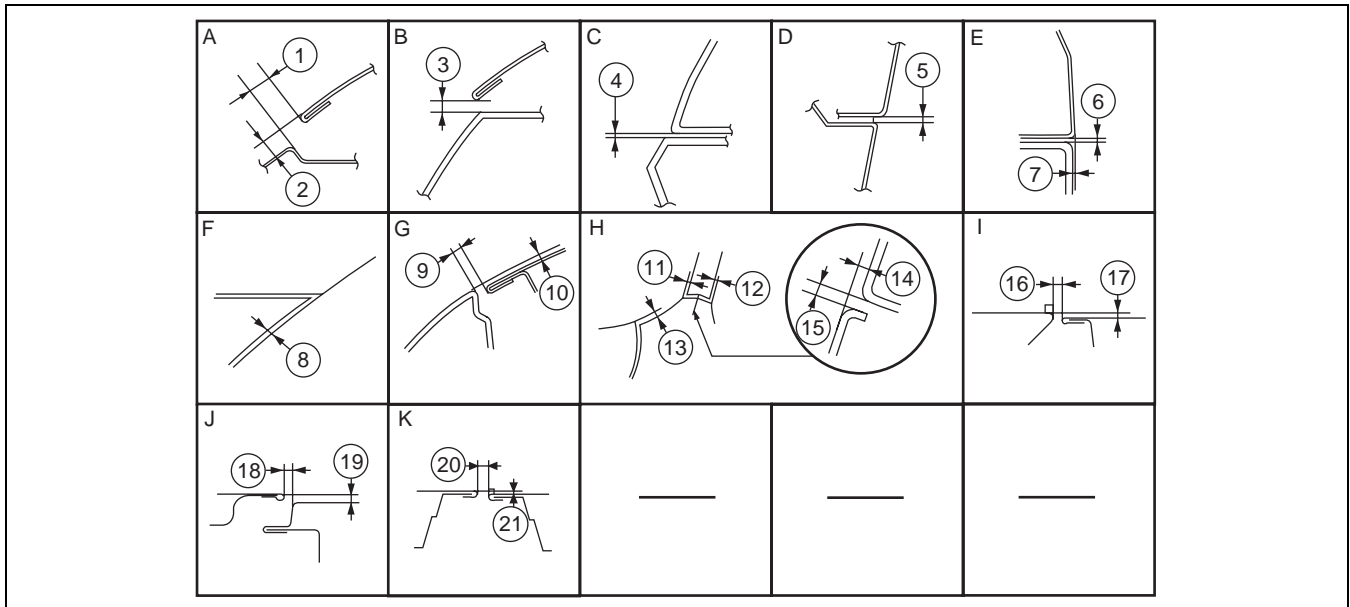
id0980c0740300

Front View



**09-80F**

aatjb00000330



am6xub0000011

No.	Measure ment part	Standard values (mm {in})	Maximum values (mm {in})	Minimum values (mm {in})	Side by difference (mm {in})
A	1	4.2 {0.17}	6.0 {0.24}	2.4 {0.094}	2.0 {0.079}
	2	0	2.0 {0.079}	-2.0 {-0.079}	-

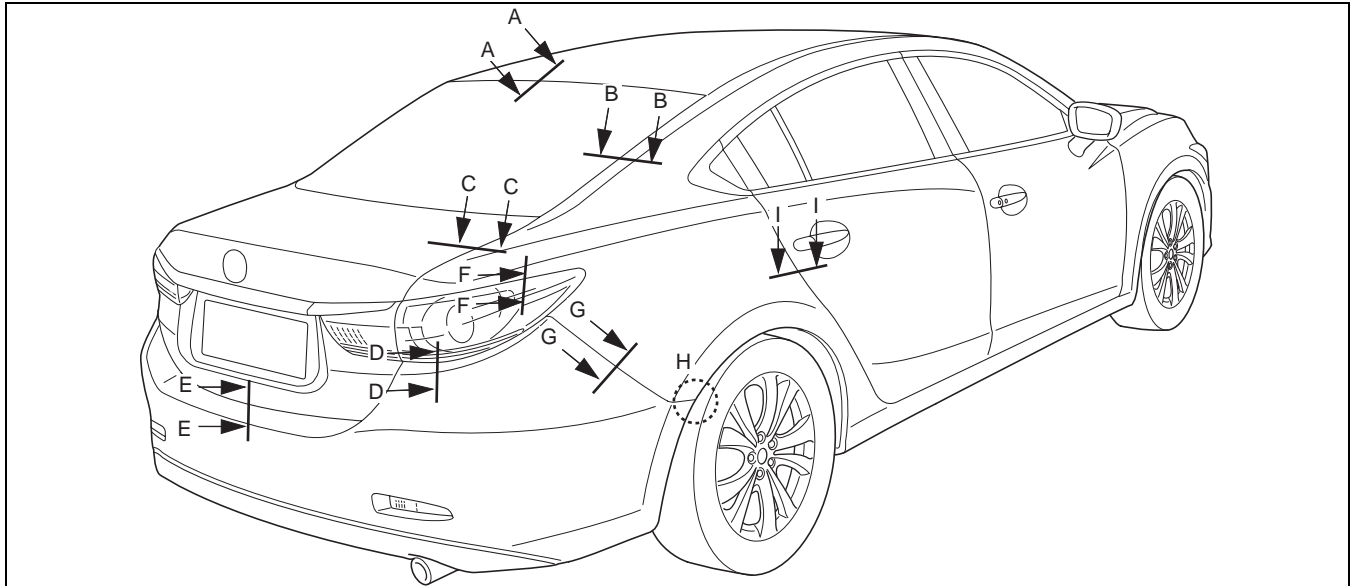
No.	Measure ment part	Standard values (mm {in})	Maximum values (mm {in})	Minimum values (mm {in})	Side by difference (mm {in})
B	3	6.4 {0.25}	8.3 {0.33}	3.5 {0.14}	2.5 {0.098}
C	4	1.8 {0.078}	3.3 {0.13}	0.3 {0.01}	1.5 {0.059}

## BODY STRUCTURE [CONSTRUCTION STANDARD VALUES]

No.	Measurement part	Standard values (mm {in})	Maximum values (mm {in})	Minimum values (mm {in})	Side by difference (mm {in})
D	5	1.8 {0.071}	3.1 {0.12}	0.5 {0.02}	1.3 {0.051}
E	6	0.5 {0.051}	1.8 {0.071}	-	-
	7	0.5 {0.051}	1.2 {0.047}	-0.2 {-0.008}	-
F	8	0	1.5 {0.059}	-1.5 {-0.059}	-
G	9	3.5 {0.14}	4.5 {0.18}	2.5 {0.098}	1.0 {0.039}
	10	0	1.0 {0.039}	-1.0 {-0.039}	-
H	11	0	1.0 {0.039}	-1.0 {-0.039}	-
	12	0	1.0 {0.039}	-1.0 {-0.039}	-
	13	0	1.2 {0.047}	-1.2 {-0.047}	-
	14	0	1.5 {0.059}	-1.5 {-0.059}	-
	15	2.0 {0.079}	3.2 {0.13}	0.8 {0.03}	1.2 {0.047}

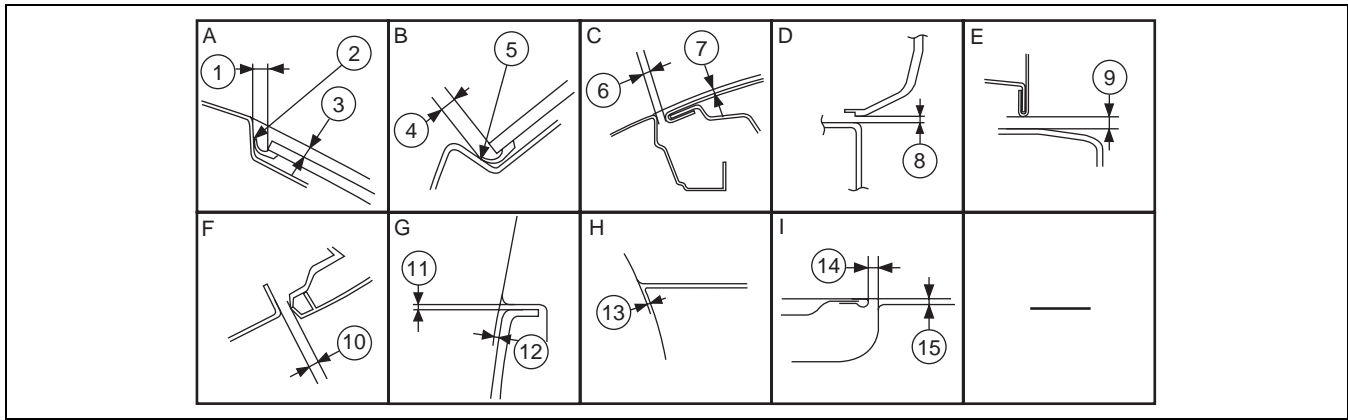
No.	Measurement part	Standard values (mm {in})	Maximum values (mm {in})	Minimum values (mm {in})	Side by difference (mm {in})
I	16	3.5 {0.14}	4.5 {0.18}	2.5 {0.098}	1.0 {0.039}
	17	0	1.0 {0.039}	-1.0 {-0.039}	-
J	18	3.5 {0.14}	4.5 {0.18}	2.5 {0.098}	1.0 {0.039}
	19	0	1.0 {0.039}	-1.0 {-0.039}	-
K	20	5.0 {0.20}	6.9 {0.27}	3.1 {0.12}	1.9 {0.075}
	21	0	2.0 {0.079}	-2.0 {-0.079}	-

### Rear View



aatijb00000331

# BODY STRUCTURE [CONSTRUCTION STANDARD VALUES]



am6xub0000011

No.	Measurement part	Standard values (mm {in})	Maximum values (mm {in})	Minimum values (mm {in})	Side by difference (mm {in})
A	1	4.0 {0.16}	5.7 {0.22}	2.3 {0.091}	-
	2	0	0.5 {0.02}	-	-
	3	2.0 {0.079}	3.8 {0.15}	0.2 {0.008}	-
B	4	4.0 {0.16}	6.2 {0.24}	1.8 {0.071}	-
	5	0	0.5 {0.02}	-	-
C	6	3.5 {0.14}	4.5 {0.18}	2.5 {0.098}	1.0 {0.039}
	7	0.5 {0.02}	1.5 {0.059}	-0.5 {-0.059}	1.2 {0.047}
D	8	1.8 {0.071}	3.3 {0.13}	0.3 {0.01}	-

No.	Measurement part	Standard values (mm {in})	Maximum values (mm {in})	Minimum values (mm {in})	Side by difference (mm {in})
E	9	6.0 {0.24}	8.0 {0.31}	4.0 {0.16}	2.0 {0.079}
F	10	1.8 {0.071}	3.0 {0.12}	0.6 {0.02}	-
G	11	0.5 {0.02}	1.8 {0.071}	-	-
	12	0.5 {0.02}	1.2 {0.047}	-0.2 {-0.008}	-
H	13	0	2.0 {0.079}	-2.0 {-0.079}	-
I	14	3.5 {0.14}	4.5 {0.18}	2.5 {0.098}	1.0 {0.039}
	15	0	1.0 {0.039}	-1.0 {-0.039}	-

09-80F

